

DATE: _____ LOCATION: _____
 TYPE: _____ PROJECT: _____
 CATALOG #: _____

LIGHTSCAPER®

LSP-RGBW SERIES - FLOODLIGHT

tradeSELECT™

FEATURES

- Architectural Form Factor perfect for illuminating signage, building façade or landscapes
- Manual Switching RGBW with 10-colors
- Wide 7x6 distribution
- Standard Knuckle Mount
- 120-277 Volt
- Standard Bronze Finish
- Low Wattage, Low Lumen Flood



SPECIFICATIONS

CONSTRUCTION

- Rugged die-cast aluminum housing
- Tempered Glass lens
- RGBW switches are accessible without removing any hardware, making it easy to adjust the product even after installation
- Dark bronze matte texture powder coat paint finish provides durable and lasting appearance

OPTICS

- RGBW Switchable
- Wide lens covers set back distance with uniform light
- Lumen output up to 1950 Lumens depending on color selection
- Efficacy up to 113 LPW

INSTALLATION

- Knuckle mount: Universal ½" 14 NPS swivel knuckle has serrated teeth for sure aiming

ELECTRICAL

- 0-10 Volt Dimming Driver
- Universal voltage driver is 120-277 Volt
- Ambient Operating Temperature -40°C to 40°C
- 3 kV Surge

CERTIFICATIONS

- Listed to UL1598 for use in wet locations
- IP66
- FCC Title 47 Part 15

WARRANTY

- 5 year warranty

KEY DATA	
Lumen Range	142-1950
Wattage Range	17
Efficacy Range (LPW)	8.4-114.7
Fixture Projected Life (Hours)	>60K
Weights lbs. (kg)	3.42 (1.55)

ORDERING GUIDE

STOCK ORDERING INFORMATION

Catalog Number	Mounting	CRI	CCT	Lumens	Distribution	Wattage	Voltage	Finish
LSP-RGBW	Knuckle	70	RGBW Selectable	142-1950	Wide	17	120-277V	Bronze

LIGHTSCAPER

LSP-RGBW SERIES - FLOODLIGHT

PERFORMANCE DATA

Description	Nominal Wattage	Dist. Type	Field Angle H x V	4K (4000K NOMINAL 70 CRI)*		
				Lumens	LPW	Max Beam Candlepower
LSP-RGBW	17	7 X 6	146 x 122	1766	106	911

* When set to White, fixture is 4K

RED			BLUE			GREEN			WHITE		
Lumens	LPW	Max Beam Candlepower	Lumens	LPW	Max Beam Candlepower	Lumens	LPW	Max Beam Candlepower	Lumens	LPW	Max Beam Candlepower
272	16.0	147	142	8.4	73	1950	114.7	1028	1766	103.9	913

ELECTRICAL DATA

Nominal Wattage	Input Voltage	Oper. Current (Amps)	System Power (Watts)
LSP-RGBW	120	0.14	17
	208	0.08	
	240	0.07	
	277	0.06	

PROJECTED LUMEN MAINTENANCE

Ambient Temperature	OPERATING HOURS					
	0	25,000	TM-21-11 36,000	50,000	100,000	L70 (Hours)
25°C / 77°F	1.00	0.94	0.92	0.89	0.79	152,000
40°C / 104°F	0.99	0.93	0.91	0.88	0.78	149,000

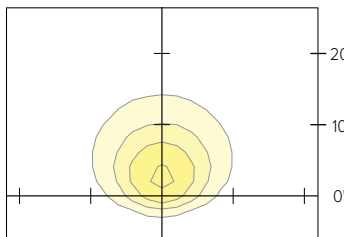
LUMINAIRE AMBIENT TEMPERATURE FACTOR (LATF)

Ambient Temperature		Lumen Multiplier
0°C	32°F	1.03
10°C	50°F	1.01
20°C	68°F	1.00
25°C	77°F	1.00
30°C	86°F	0.99
40°C	104°F	0.98
50°C	122°F	0.97

Use these factors to determine relative lumen output for average ambient temperatures from 0-40°C (32-104°F).

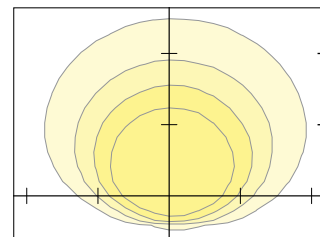
PHOTOMETRY

LSP-RGBW – RED



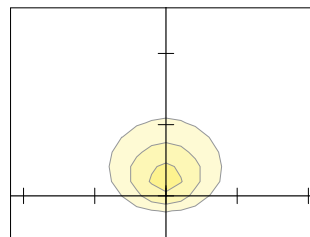
Tilt Angle: 45°
10' Set Back

LSP-RGBW – Green



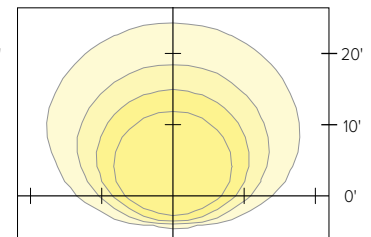
Tilt Angle: 45°
10' Set Back

LSP-RGBW – Blue



Tilt Angle: 45°
10' Set Back

LSP-RGBW – White

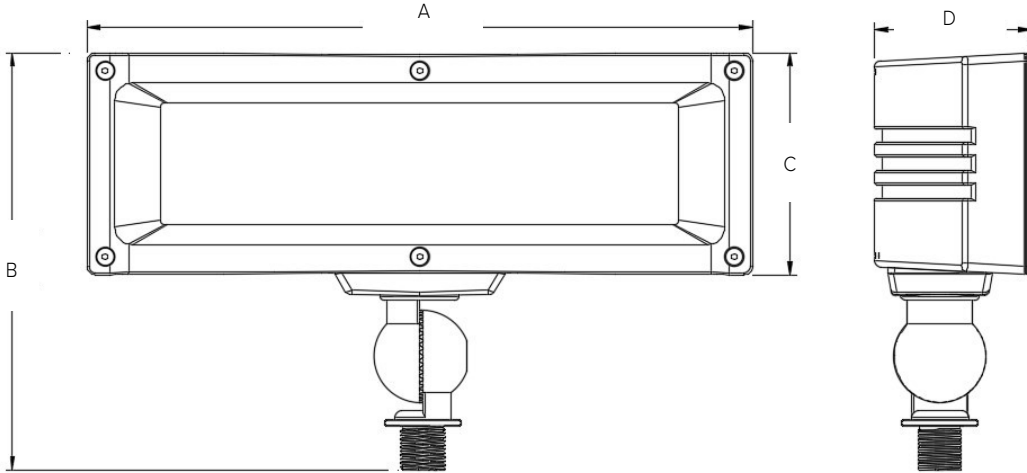


Tilt Angle: 45°
10' Set Back

LIGHTSCAPER

LSP-RGBW SERIES - FLOODLIGHT

DIMENSIONS



A	B	C	D	Weight
12" (304.69mm)	7.5" (190.85mm)	4" (101.49mm)	2.83" (71.88mm)	4.42lbs (1.55kg)



RGBW are controlled by rocker switches located on the exterior of the product so no tools are needed to utilize these features.

USE OF TRADEMARKS AND TRADE NAMES

All product and company names, logos and product identifies are trademarks ™ or registered trademarks ® of Current or their respective owners. Use of them does not necessarily imply any affiliation with or endorsement by such respective owners.