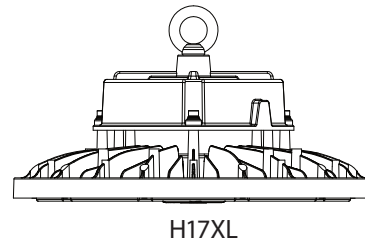
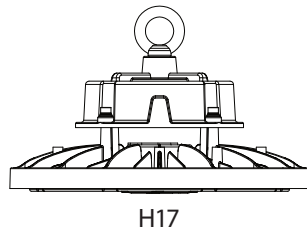


# INSTRUCTIONS

## FIELD-ADJUSTABLE H17 & H17XL INSTALLATION

# RAB®

RAB Lighting is committed to creating high-quality, affordable, well-designed and energy-efficient LED lighting and controls that make it easy for electricians to install and end users to save energy. We'd love to hear your comments. Please call the Marketing Department at 888-RAB-1000 or email: [marketing@rablighting.com](mailto:marketing@rablighting.com)



### IMPORTANT

#### READ CAREFULLY BEFORE INSTALLING FIXTURE. RETAIN THESE INSTRUCTIONS FOR FUTURE REFERENCE.

RAB fixtures must be wired in accordance with the National Electrical Code and all applicable local codes. Proper grounding is required for safety. THIS PRODUCT MUST BE INSTALLED IN ACCORDANCE WITH THE APPLICABLE INSTALLATION CODE BY A PERSON FAMILIAR WITH THE CONSTRUCTION AND OPERATION OF THE PRODUCT AND THE HAZARDS INVOLVED.

**WARNING:** Make certain power is OFF before installing or maintaining fixture. No user serviceable parts inside.  
Suitable for wet locations. Maximum ambient temperature suitable for use in up to 50° C (122° F).

**Note:** H17/H17XL 480V models are NOT Field-Adjustable.

### HOOK MOUNTING

1. Screw the **Eye-Bolt** into the **Fixture** (Fig. 1). Tighten and secure with **Set Screw** (Fig. 2).
2. Hang the **Fixture** on the **Ceiling Hook** or chain (provided by others) as shown in Fig. 2.
3. After installation, connect the fixture wires to power supply. Use appropriate UL approved wire connectors as required by code to complete wiring.

Fig: 1

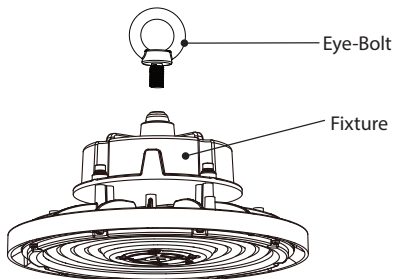
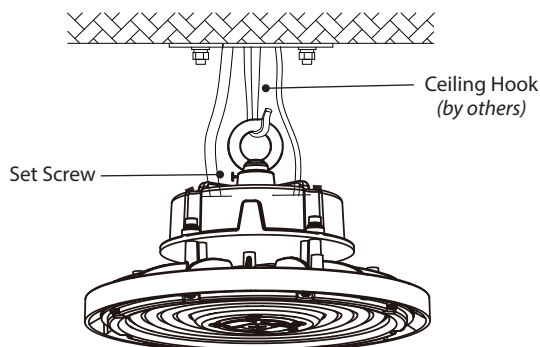


Fig: 2



### SURFACE MOUNTING (WITH ACCESSORY KIT)

(Accessory ordered separately - Model # H17-SM KIT)

1. Secure bracket accessory kit (**H17-SM Kit**) to fixture and mounting surface (Fig. 3) per **H17-SM KIT** instructions.
2. After installation, connect the fixture wires to power supply. Use appropriate UL approved wire connectors as required by code to complete wiring.
3. Loosen **Pivot Bolts** and swivel fixture to desired angle. Fixture can adjust 50° to the left or right vertically (Fig. 4).

Fig: 3

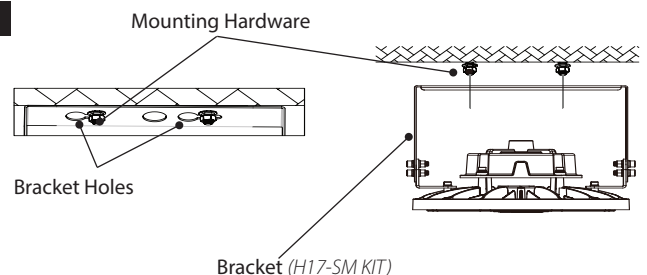
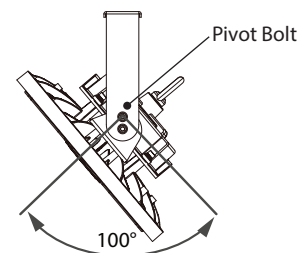


Fig: 4



# INSTRUCTIONS

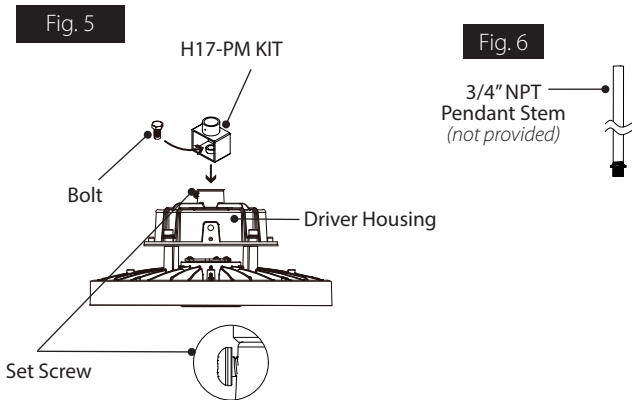
## FIELD-ADJUSTABLE H17 & H17XL INSTALLATION



RAB Lighting is committed to creating high-quality, affordable, well-designed and energy-efficient LED lighting and controls that make it easy for electricians to install and end users to save energy. We'd love to hear your comments. Please call the Marketing Department at 888-RAB-1000 or email: marketing@rablighting.com

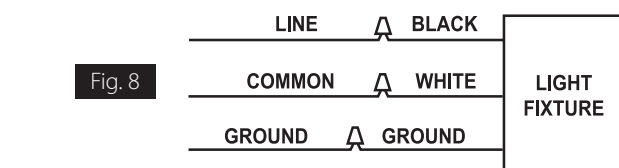
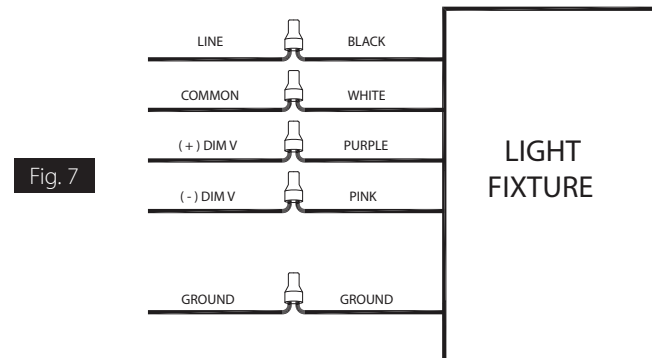
### PENDANT MOUNTING *(WITH ACCESSORY KIT)*

1. Loosen **Set Screw** on the Fixture as shown in Fig. 5. Mount the **H17-PM KIT** into the driver housing using (1) 10x30 Screw (provided) for 120-277V installation. Use (1) 12x30 Screw (provided) for 480V installation. Use **Bolt** (provided) to secure the **H17-PM Kit** to driver housing.
2. Insert **3/4" NPT Pendant Stem** (not provided) into the **H17-PM KIT** and secure with **Bolt** (Fig. 6). Refer to H17-PM KIT installation instructions.
3. After installation, connect the fixture wires to power supply. Use appropriate UL approved wire connectors as required by code to complete wiring.



### WIRING

**RISK OF FIRE.** Universal voltage driver permits operation at 120V through 277V, 50 or 60 Hz. Units ordered with /480V suffix are 480V only, 50 or 60Hz. For 0-10V dimming follow wiring directions as shown in Fig. 7. For non-dimming (*on/off*), follow the wiring directions as shown in Fig. 8.



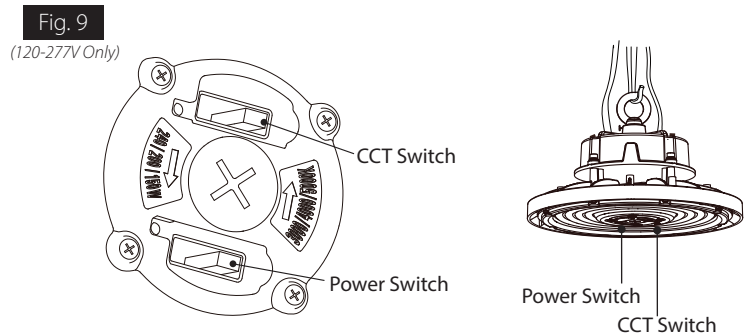
### FIELD-ADJUSTABLE CCT & WATTAGE *(120-277V ONLY) (480V UNITS ARE NOT FIELD-ADJUSTABLE)*

Follow instructions below to change the **Fixture Power (W)** and/or **Color Temperature (CCT)** from factory settings:

#### Factory Settings:

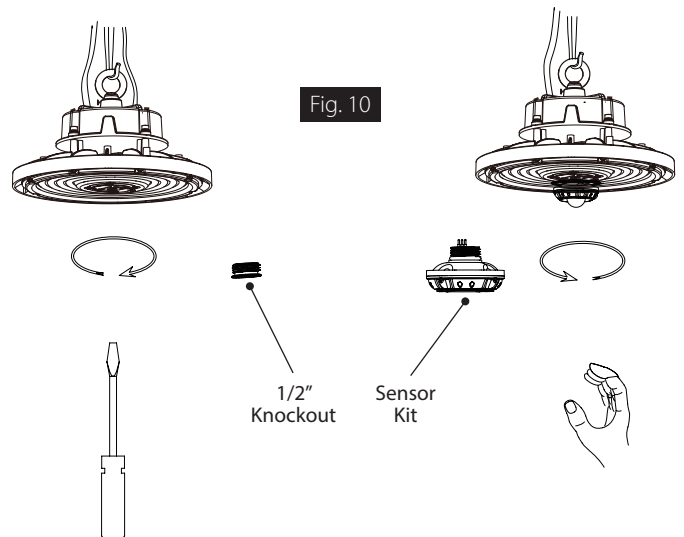
H17: 150W / 4000K *(120-277V ONLY)*  
 H17XL: 200W / 4000K *(120-277V ONLY)*

1. Locate the **Field Adjustable Switches** on **Fixture Housing** as shown below. Remove waterproof gasket.
2. Select **Power (W)** and/or **Color Temperature (CCT)** by sliding respective switch to the desired value (Fig. 9). Re-install waterproof gasket.



### MOTION SENSOR INSTALLATION *(PURCHASED SEPARATELY)*

1. Ensure power is off to the fixture to avoid risk of shock.
2. Be sure to remove PIR40 Sensor pin protector before installing
3. Remove the **1/2" Knockout** with a screwdriver and install the **Sensor Kit** onto fixture (Fig. 10) as per sensor kit instructions.



# INSTRUCTIONS

## FIELD-ADJUSTABLE H17 & H17XL INSTALLATION



RAB Lighting is committed to creating high-quality, affordable, well-designed and energy-efficient LED lighting and controls that make it easy for electricians to install and end users to save energy. We'd love to hear your comments. Please call the Marketing Department at 888-RAB-1000 or email: [marketing@rablighting.com](mailto:marketing@rablighting.com)

## CLEANING & MAINTENANCE

---

**CAUTION:** Be sure fixture temperature is cool enough to touch.  
Do not clean or maintain while fixture is energized.

1. Do not open fixture to clean the LED. Do not touch the LED.
2. Do not touch reflector, lens or trim cone.
3. Do not clean any fixture surface with wood-base cleaning material such as paper towels or tissues.

## TROUBLESHOOTING

---

1. Check that the line voltage at the fixture is correct. Refer to wiring directions.
2. Is the fixture grounded properly?

**Note:** These instructions do not cover all details or variations in equipment nor do they provide for every possible situation during installation, operation or maintenance.



© 2023 RAB LIGHTING Inc.

### Easy Answers

[rablighting.com](http://rablighting.com)  
Visit our website for product info

**Tech Help Line**  
Call our experts: 888 722-1000

**e-mail**  
Answered promptly - [sales@rablighting.com](mailto:sales@rablighting.com)

**Free Lighting Layouts**  
Answered online or by request