
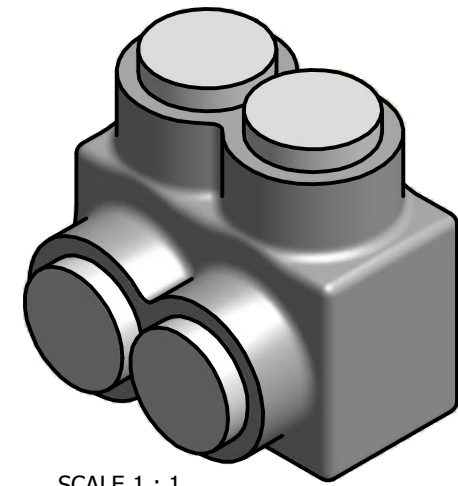
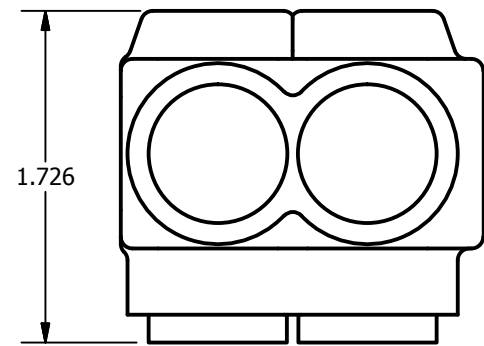
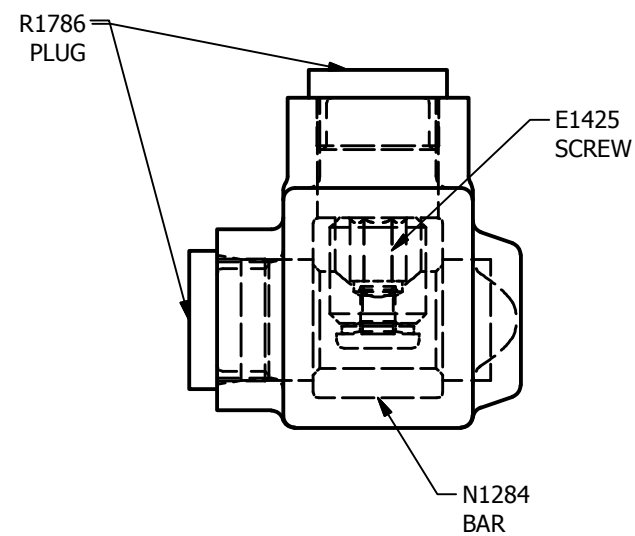
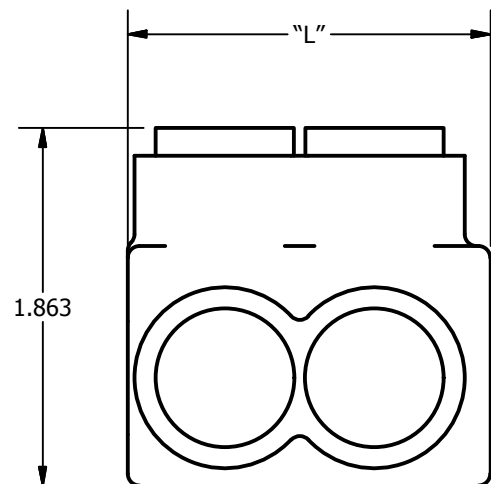


|                             |                |                         |  |
|-----------------------------|----------------|-------------------------|--|
| SCREW: E1425                | MATERIAL: NONE | REV: E                  | <br>800-776-9775 www.ilSCO.com |
| CAT. NO.: SEE CHART         | PLATING: NONE  | DRAWN BY: CLH SCALE:    |  |
| INFORMATION SHEET: FORM 167 | MARKING: NONE  | DATE: 7/15/2008 SIZE: B |  |
|                             |                |                         | DWG NO: <b>M2920</b><br>SHEET: 1 OF 1  |



SCALE 1 : 1



| CATALOG #     | "L"    | # OF SCREW PORTS |
|---------------|--------|------------------|
| PBTS-2-3/0-F  | 1.889  | 2                |
| PBTS-3-3/0-F  | 2.654  | 3                |
| PBTS-4-3/0-F  | 3.419  | 4                |
| PBTS-5-3/0-F  | 4.184  | 5                |
| PBTS-6-3/0-F  | 4.949  | 6                |
| PBTS-7-3/0-F  | 5.714  | 7                |
| PBTS-8-3/0-F  | 6.479  | 8                |
| PBTS-9-3/0-F  | 7.244  | 9                |
| PBTS-10-3/0-F | 8.009  | 10               |
| PBTS-11-3/0-F | 8.774  | 11               |
| PBTS-12-3/0-F | 9.539  | 12               |
| PBTS-13-3/0-F | 10.304 | 13               |
| PBTS-14-3/0-F | 11.069 | 14               |