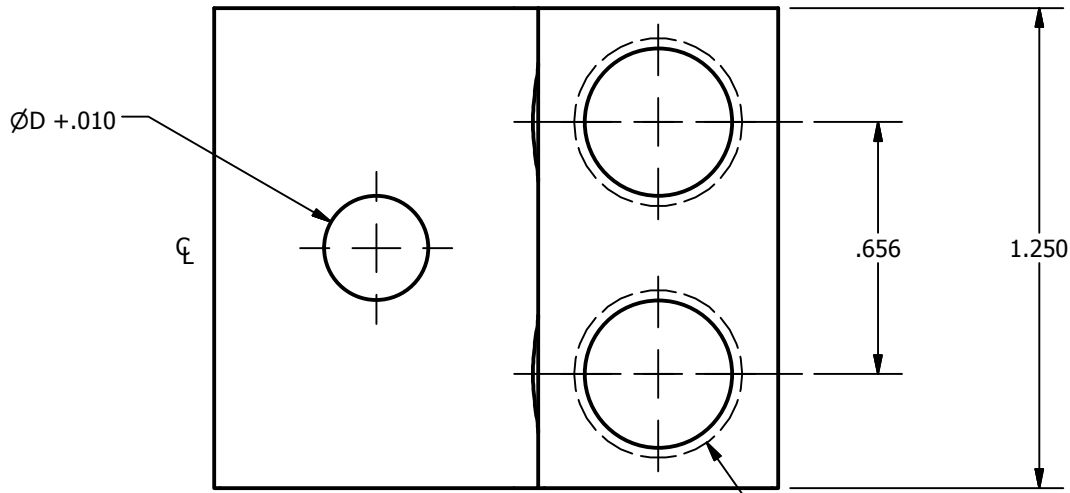
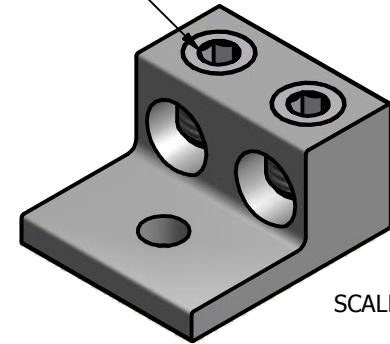


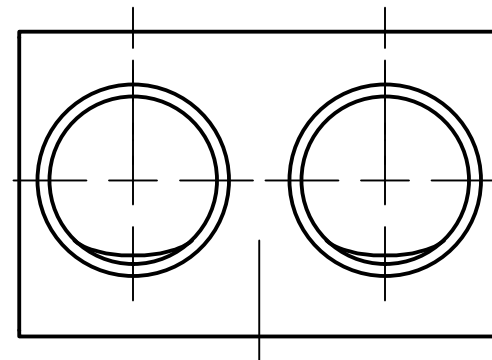
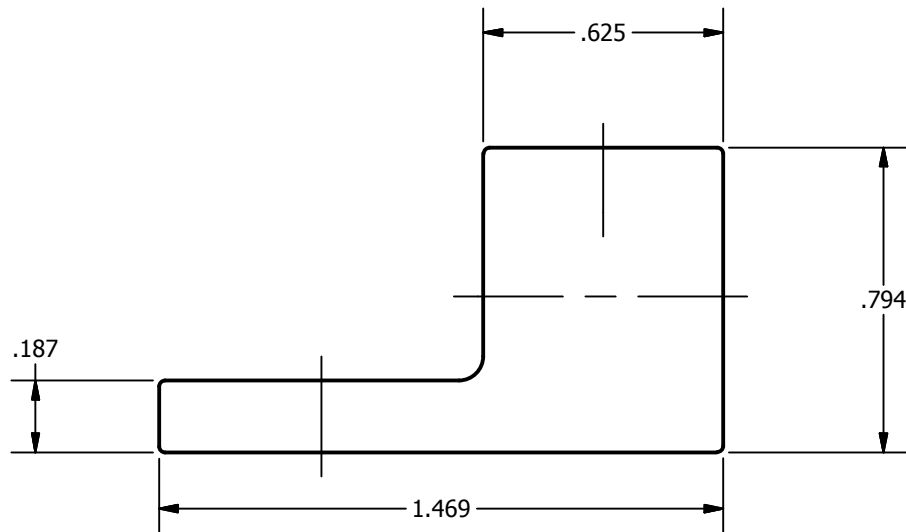
SCREW: E0950	MATERIAL: ALUMINUM	REV: F	<b>ILSCO</b> connections matter	
CAT. NO.: AU-2/0, AU-2/0-B2	PLATING: EL-TIN	DRAWN BY: CLH	SCALE: 2:1	800-776-9775 www.ilsco.com
INFORMATION SHEET: FORM 1	MARKING: SEE CHART	DATE: 1/16/2008	SIZE: A	DWG. NO. <b>D2057</b>
				SHEET: 1 OF 1



E0950  
(2) PLACES



7/16-20 UNF - 2B  
(2) PLACES



DEV	D	MARKING
-10	.272	BKB, ADR21-21, 2/0-14, AL9CU
-22	.272	ILSCO, D2057, AU-2/0, 2/0-14, AL9CU
-43	.531	ILSCO, D2057, AU-2/0, 2/0-14, AL9CU