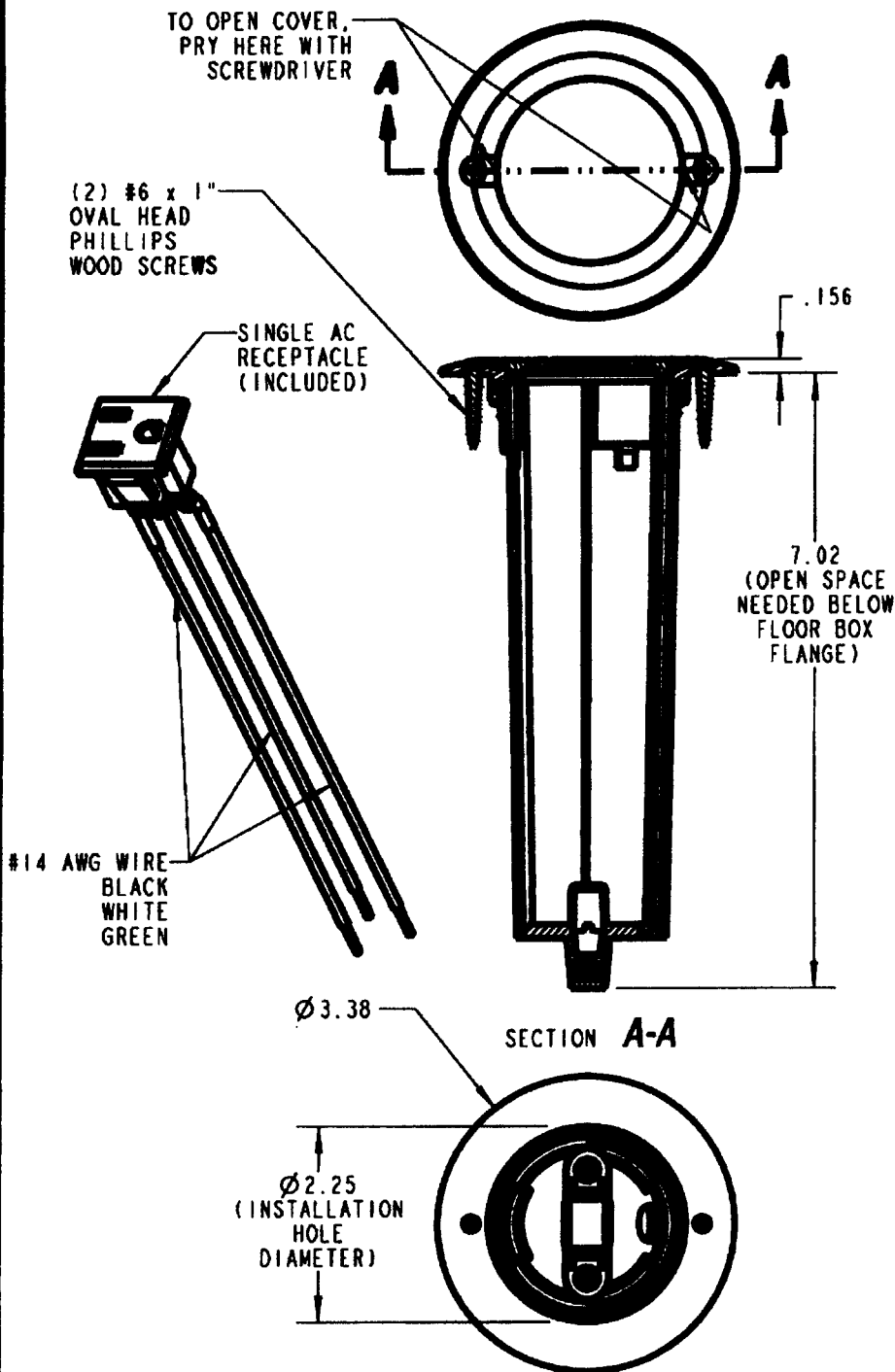


# Carlton



**NOTES:**

120VAC, 15 AMP, UL LISTED  
 INCLUDES (3) TWIST-ON WIRE  
 CONNECTORS

P/N  
 E971FBD1  
 E971FBD1-2  
 E971FBD1B  
 E971FBD1B-2  
 E971FAD1-2  
 E971FAD1B-2

**GENERAL NOTES**  
 1. ALL DIMENSIONS ARE FOR REFERENCE ONLY.  
 2. DIMENSIONS IN BRACKETS [ ] ARE IN METRIC UNITS.

**REVISIONS**  
 D SEE ERN 2010920 FOR APPROVAL SIGNATURES & RELEASE DATE. PROJECT NO: 5A09004

**Thomas & Betts**  
 www.tnb.com

DESCRIPTION: **RESIDENTIAL ROUND FLOOR BOX ASSEMBLY W/METAL COVER**

ORIGINAL PROJECT NO / ( ERN NO )	SHEET NO:	REV. NO:	DRAWING NO:
/ 1	1 OF 1	D	<b>WSD-AC04598</b>