



SCREW: E0945  
 CAT. NO.: TA-600  
 INFORMATION SHEET: FORM 1

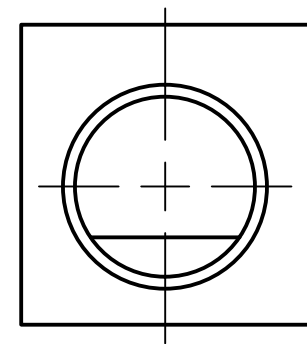
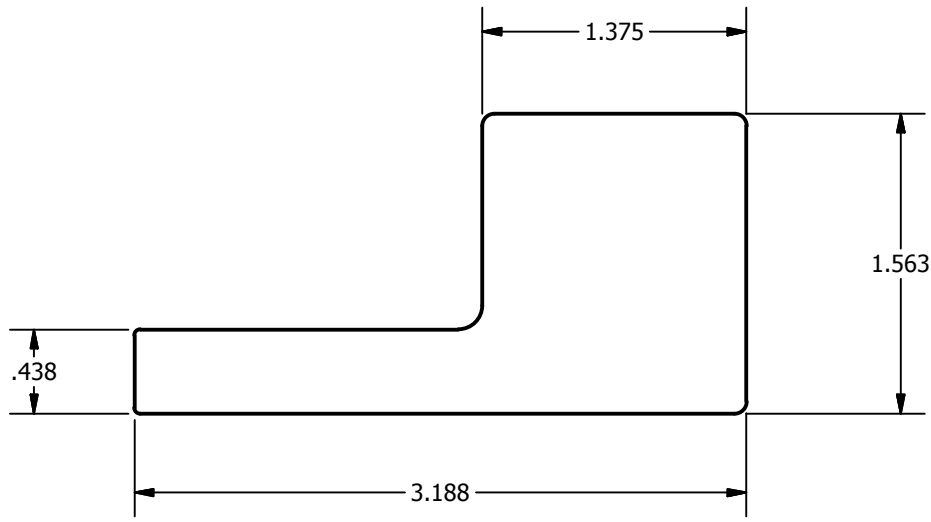
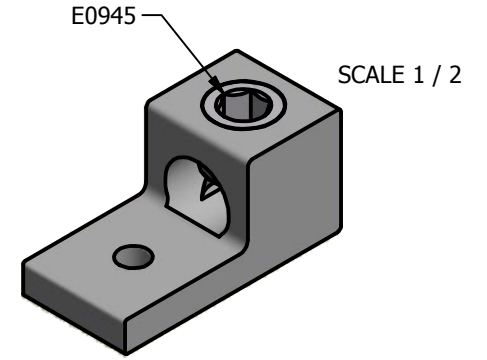
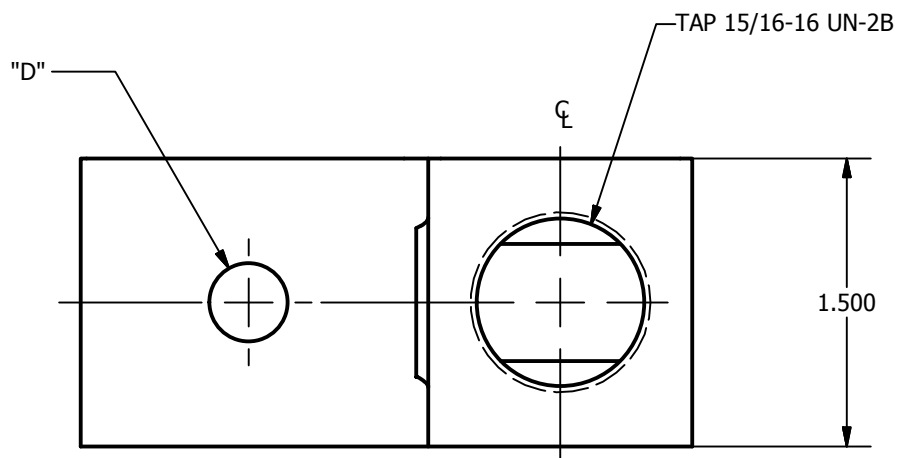
MATERIAL: ALUMINUM  
 PLATING: EL-TIN  
 MARKING:   , D1027, TA-600, 600kcmil-2, AL9CU,

REV: Y  
 DRAWN BY: NN  
 DATE: 12/12/2007

SCALE: 1:1  
 SIZE: A

**ILSCO**  
*connections matter*  
 800-776-9775 www.ilsco.com

DWG. NO. **D1027**  
 SHEET: 1 OF 1



DEV.	"G"	"D"
-22	.875±.015	.406
-23	.750±.015	.531
-43	.875±.015	.531