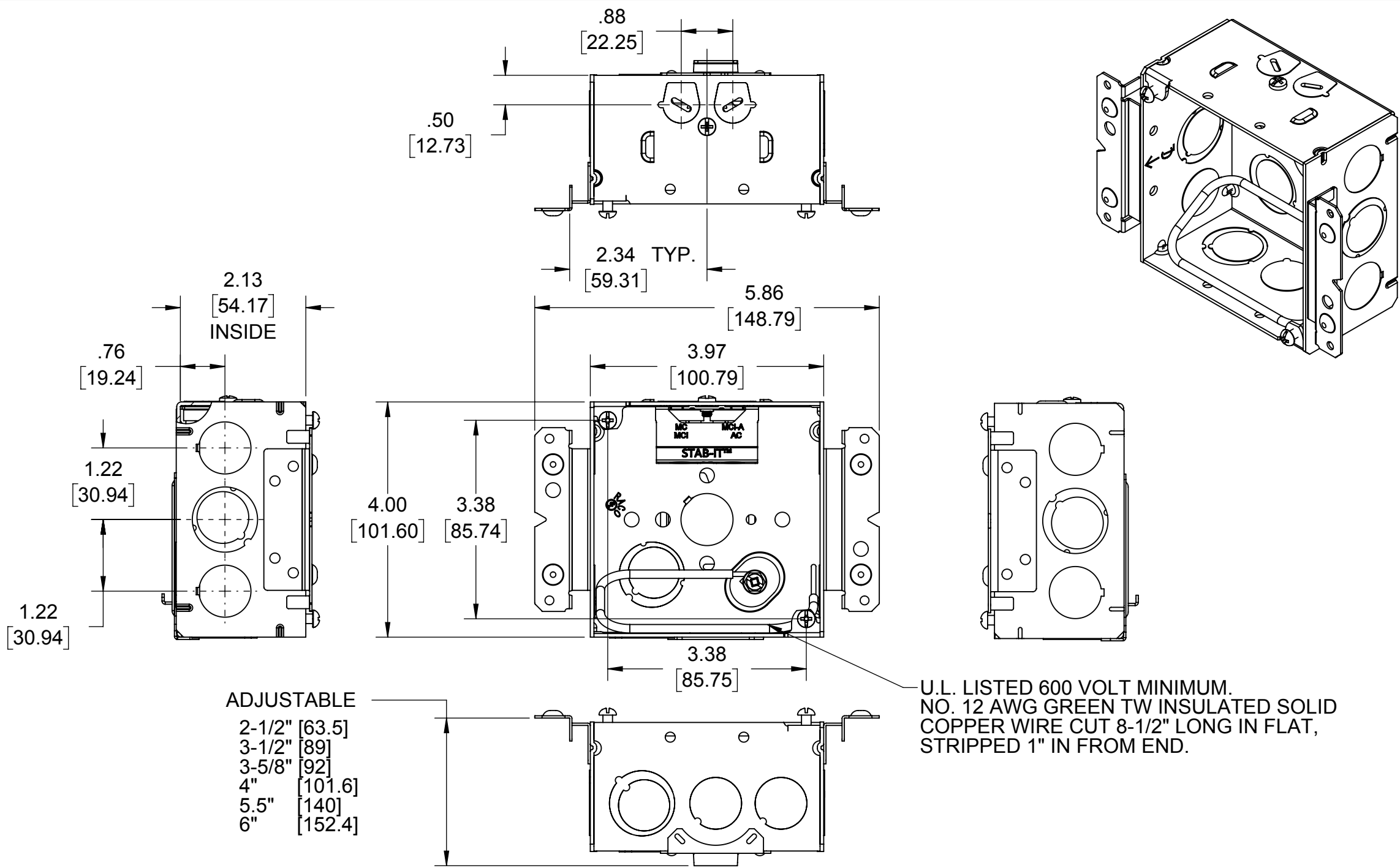


LIST OF PARTS

DESCRIPTION	MATERIAL	FINISH
SPACER	STEEL	GALVANIZED
SIDES	STEEL	GALVANIZED
STUD BRACKET	STEEL	GALVANIZED
FARSIDE SUPPORT	STEEL	GALVANIZED
FASTENERS	STEEL	GALVANIZED
STAB-IT™ CLAMP	STEEL	GALVANIZED
PIG TAIL	COPPER	



U.L. LISTED 600 VOLT MINIMUM.
NO. 12 AWG GREEN TW INSULATED SOLID
COPPER WIRE CUT 8-1/2" LONG IN FLAT,
STRIPPED 1" IN FROM END.

- NOTES:**
1. ALL DIMENSIONS ARE IN INCHES AND [MILLIMETERS]
 2. BOX VOLUME: 30.3 IN³ [496.5 CM³]
 3. 1 #12AWG SOLID COPPER WIRE 8" LONG PIG TAIL WITH GROUNDING SCREW INCLUDED
 4. UL LISTED
 5. FOR FAR SIDE SUPPORT BEND INSTRUCTION SEE SHEET # 2

KNOCKOUTS	
TRADE SIZE	LOCATION
1/2" KO	1- ON THE BOTTOM (ACCESSIBLE FOR 5.5" & 6" STUDS ONLY), 2-ON EACH SIDE, 2- ON THE SIDE OF THE SPACER
1/2", 3/4" TKO®	1- ON THE BOTTOM (ACCESSIBLE FOR 5.5" & 6" STUDS ONLY), 1-ON EACH SIDE, 1- ON THE SIDE OF THE SPACER
CABLE PRIOUTS	2- ON THE SIDE OF THE SPACER

CABLE TYPES AND RANGES FOR STAB-IT CLAMP	
CABLE TYPES	CABLE RANGES
AC STEEL & ALUMINUM	14-2,14-3,14-4,12-2,12-3,12-4,10-2,10-3
HCF AC STEEL	14-2,14-3,14-4,12-2,12-3,10-2,10-3
HCF AC ALMINUM	12-2,12-3,12-4,10-2,10-3
MC STEEL & ALUMINIUM	14-2,14-3,14-4,12-2,12-3,12-4,10-2,10-3
MCI-A STEEL & ALUMINIUM	14-2,14-3,14-4,12-2,12-3,12-4,10-2,10-3
HCF MCI-A STEEL	12-2,12-3,10-2
HCF MCI-A ALUMINIUM	14-2,14-3,14-4,12-2,12-3,12-4,10-2,10-3
3/8 TRADE SIZE FLEX,REFMC CONDUIT STEEL & ALUMINUM. ANTI SHORT BUSHING REQUIRED	
CABLE RANGE .400" DIA. MIN TO .605" DIA. MAX	

INITIAL RELEASE	K.K.	DATE
SYM.	REVISION DESCRIPTION	APP

THE DESIGN AND DIMENSIONS OF THE PRODUCT SHOWN ON THIS DRAWING ARE SUBJECT TO CHANGE WITHOUT NOTICE

TITLE: **4" SQ. 2-1/8" DEEP WELDED BOX WITH STAB-IT™ BX/MC CABLE CLAMP**

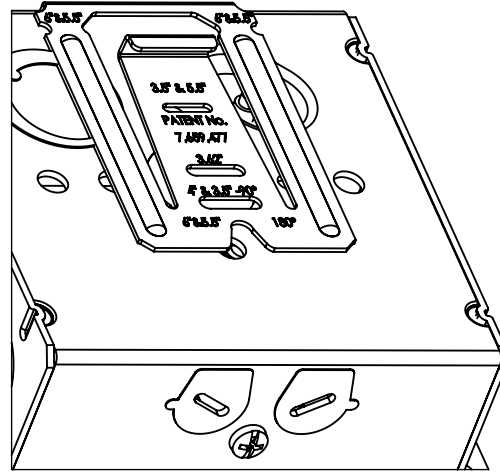
RACO
South Bend, Indiana

TOLERANCE UNLESS OTHERWISE SPECIFIED
.XX DECIMAL ±.015
.XXX DECIMAL ±.005
ANGLE ±2°

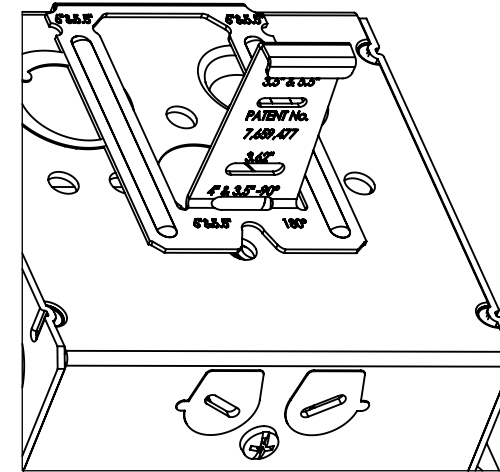
DRAWN BY: K.K. SCALE: 1:2
APP. BY: N.S.
DATE: 4/28/2015

FAR SIDE SUPPORT BEND INSTRUCTION

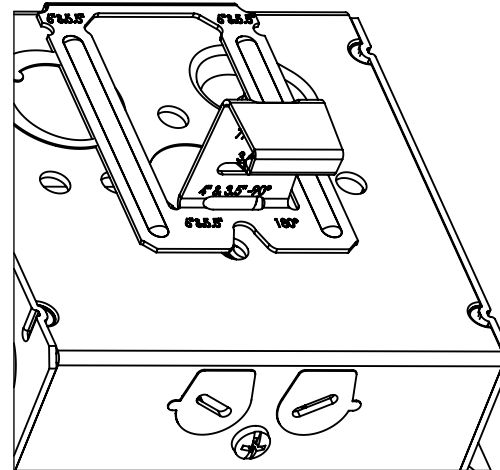
FOR 2.5" DEEP STUD
COMES PRESET



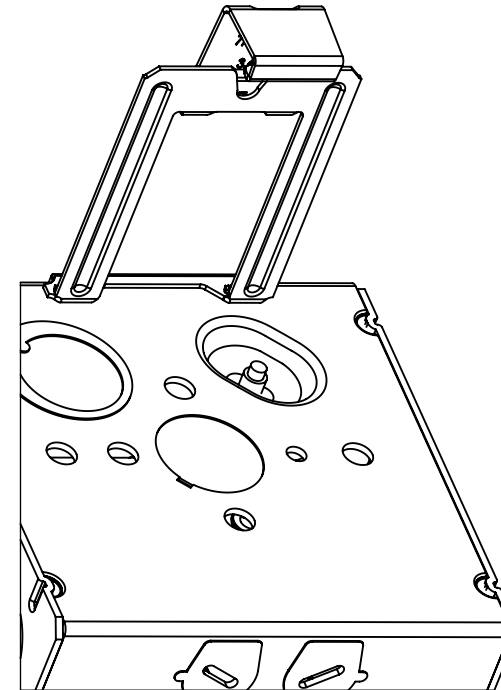
FOR 4" DEEP STUDS
BEND CENTER TAB AS
SHOWN. 1- PLACE



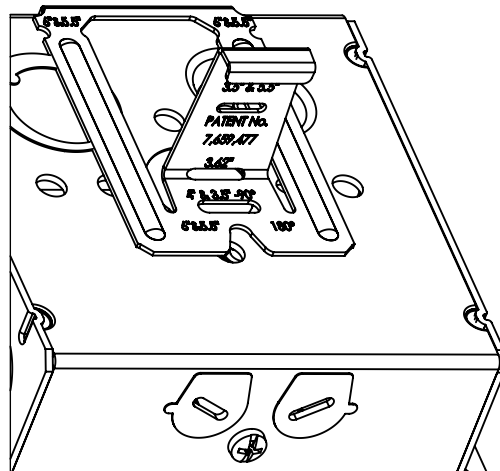
FOR 3.5" DEEP STUDS
BEND CENTER TAB AS
SHOWN. 2- PLACES



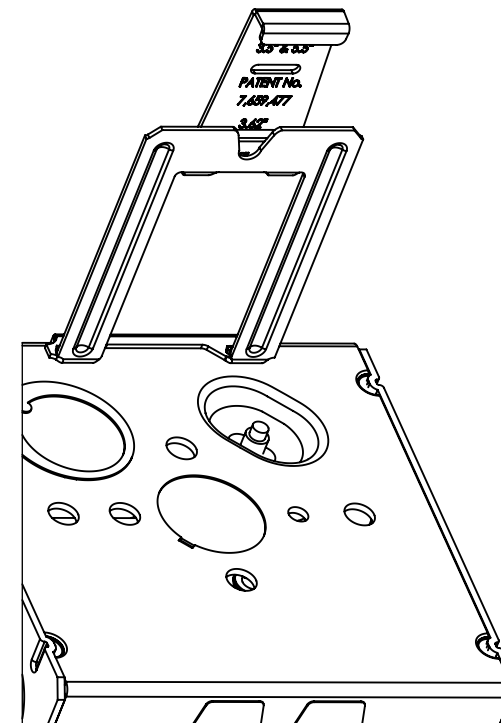
FOR 5.5" DEEP STUDS
BEND CENTER TAB AS
SHOWN. 3- PLACES



FOR 3-5/8" DEEP STUDS
BEND CENTER TAB AS
SHOWN. 1- PLACE



FOR 6" DEEP STUDS
BEND CENTER TAB AS
SHOWN. 2- PLACES



LIST OF PARTS

DESCRIPTION	MATERIAL	FINISH
SEE SHEET # 1		

SYM.	REVISION DESCRIPTION	APP	DATE
	SEE SHEET # 1		

THE DESIGN AND DIMENSIONS OF THE PRODUCT SHOWN ON THIS DRAWING ARE SUBJECT TO CHANGE WITHOUT NOTICE

TITLE: **4" SQ. 2-1/8" DEEP WELDED BOX WITH STAB-IT™ BX/MC CABLE CLAMP**

TOLERANCE UNLESS OTHERWISE SPECIFIED		RACO South Bend, Indiana	
.XX DECIMAL ±.015	.XXX DECIMAL ±.005		
ANGLE ±2°		DRAWN BY: K.K.	SCALE: 2:3
		APP. BY: N.S.	
		DATE: 4/28/2015	

FILE NAME: 232MS CUS
 DIMENSION SHEET FOR CAT. NO. 232MS
 SHEET 2 OF 2
 SIZE: B