
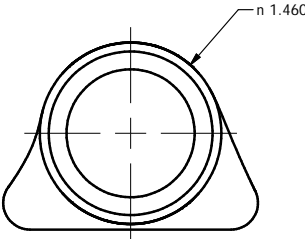
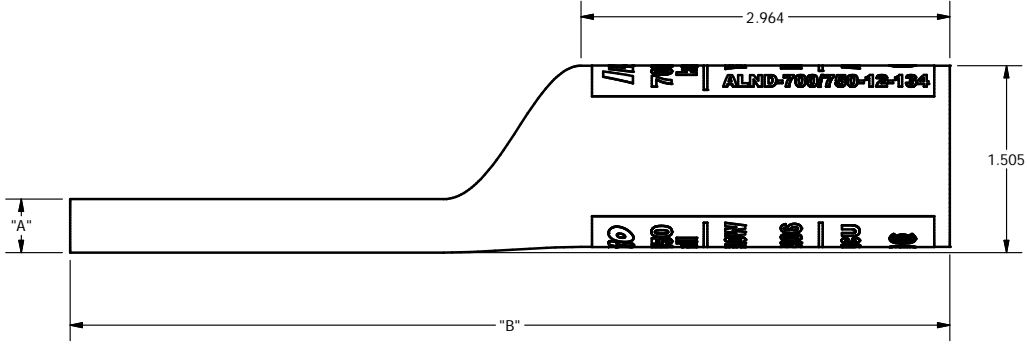
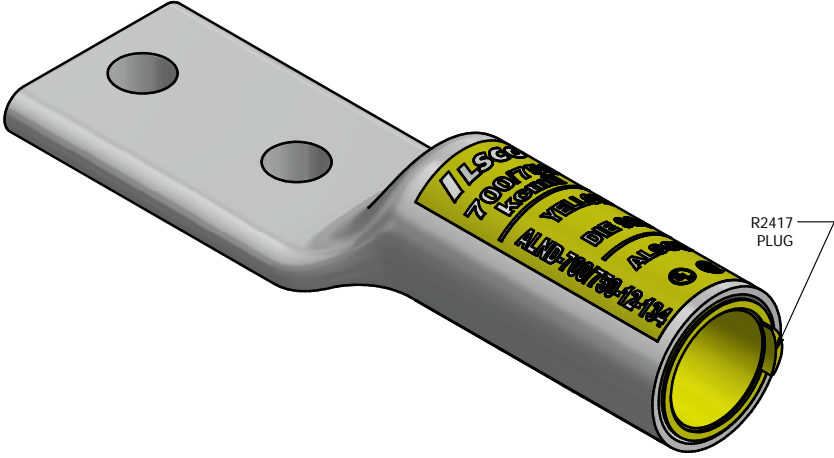
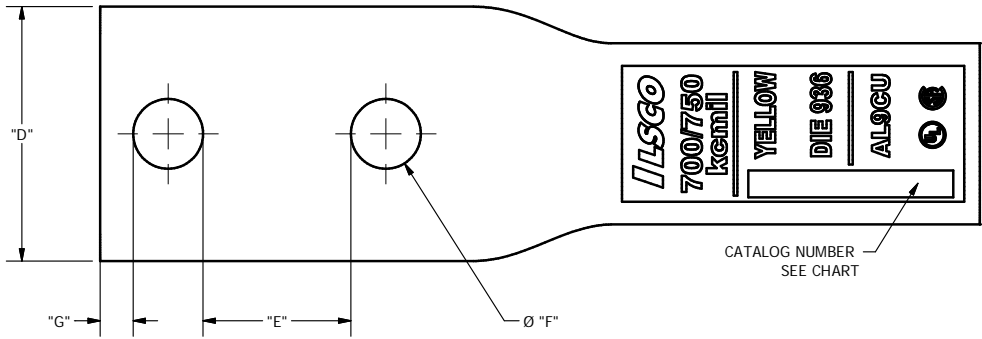


SCREW: NONE	MATERIAL: ALUMINUM	REV: U	 <i>connections matter</i> 800-776-9775 www.ilSCO.com		
CAT. NO.: SEE CHART	PLATING: EL-TIN	DRAWN BY: MJK			SCALE: NTS
INFORMATION SHEET: FORM 196	MARKING: NO TANG MARKING	DATE: 5/30/2013			SIZE: B
			DWG NO: YA1903, YAN1903-D		
			SHEET: 1 OF 1		



CATALOG NUMBER	"A"	"B"	"D"	"E"	"F"	"G"
ALND-700/750-38-1	.430	5.950	2.048	0.594	0.406	.211
ALNN-700/750-38-1	.435	5.925	1.430	0.594	0.406	.211
ALND-700/750-12-1	.430	6.185	2.048	0.438	0.562	.265
ALNN-700/750-12-1	.435	6.130	1.430	0.438	0.562	.265
ALND-700/750-38-134	.430	6.675	2.048	1.344	0.406	.211
ALNN-700/750-38-134	.435	6.710	1.430	1.344	0.406	.211
ALND-700/750-12-134	.430	7.070	2.048	1.188	0.562	.265
ALNN-700/750-12-134	.435	7.090	1.430	1.188	0.562	.265

THE INFORMATION CONTAINED WITHIN THIS DOCUMENT IS PROPRIETARY TO ILSCO AND MAY NOT BE DISCLOSED WITHOUT PRIOR WRITTEN CONSENT