
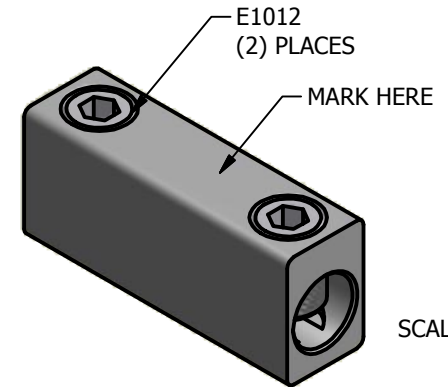
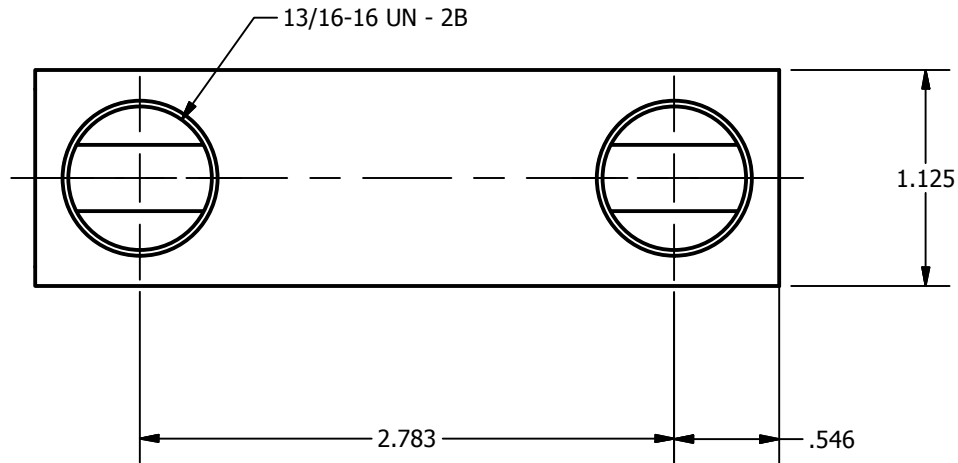


SCREW: E1012	MATERIAL: ALUMINUM	REV: M	 800-776-9775 www.ilsco.com
CAT. NO.: SPA-500, SPA-500P	PLATING: TIN PLATE ONLY	DRAWN BY: CLH SCALE: 1:1	
INFORMATION SHEET: FORM 1	MARKING: ILSCO, D3731, 500MCM-4, SPA-500, AL9CU	DATE: 8/1/2007 SIZE: A	



DWG. NO. **D3731-22**
SHEET: 1 OF 1



SCALE 1 / 2

