

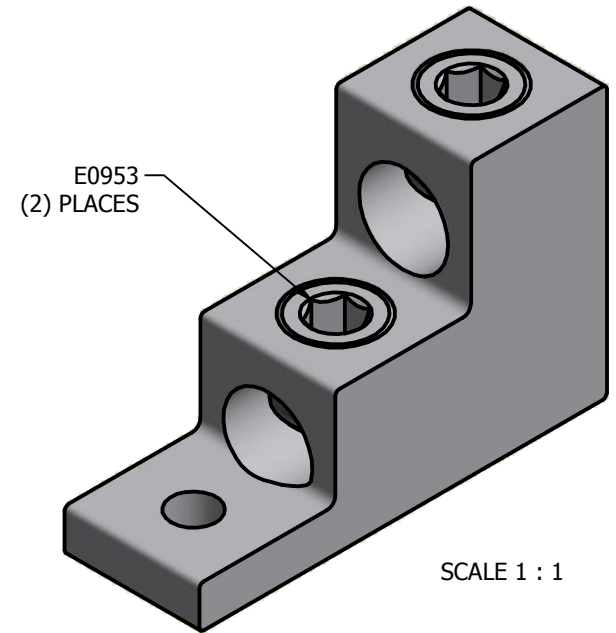
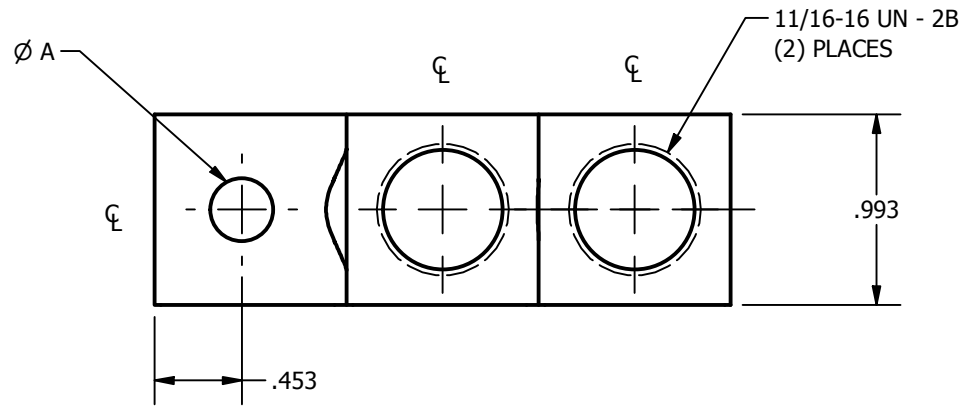
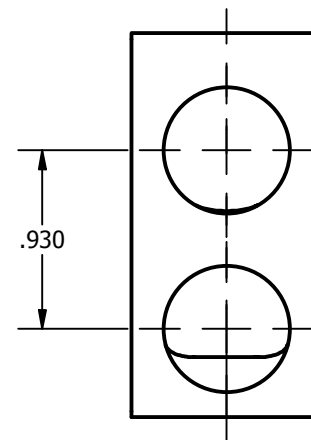
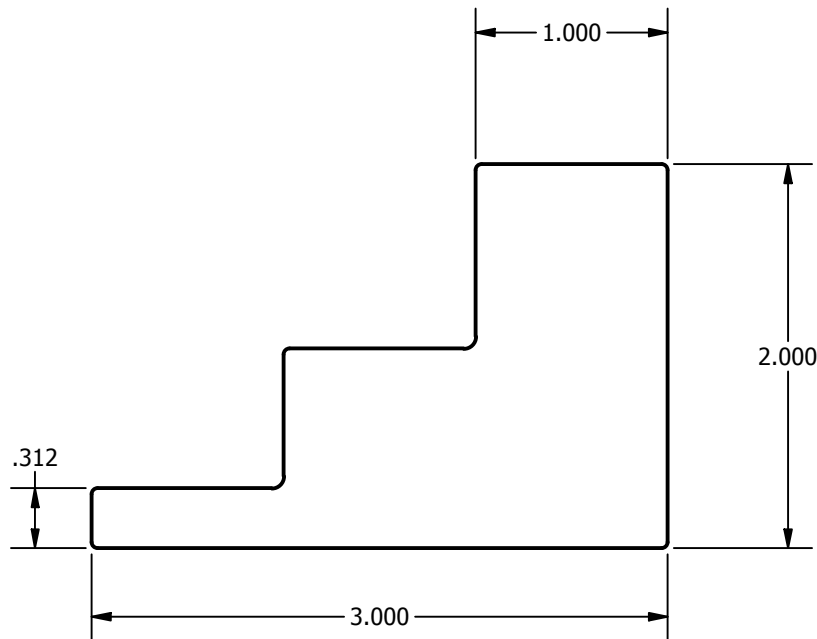


SCREW: E0953	MATERIAL: ALUMINUM	REV: F	ILSCO connections matter	
CAT. NO.: SEE CHART	PLATING: EL-TIN	DRAWN BY: CLH	SCALE: 1:1	800-776-9775 www.ilSCO.com
INFORMATION SHEET: FORM 1	MARKING: ILSCO, D1601, PB2-300, 300kcmil-6, AL9CU, AL-CU,  	DATE: 6/2/2008	SIZE: A	DWG. NO. D1601
				SHEET: 1 OF 1



SCALE 1 : 1



END USE	ØA
PB2-300	Ø.328
D1601A23T	Ø.328
D1601A43T	Ø.531