
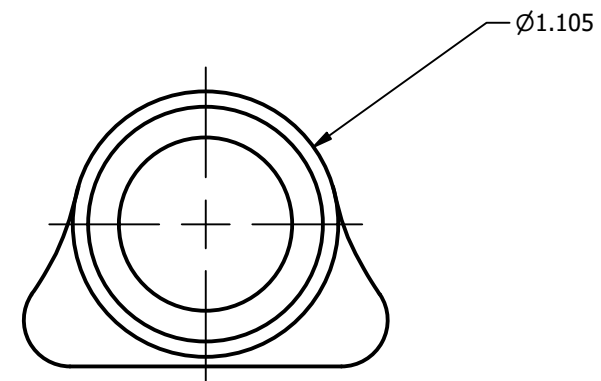
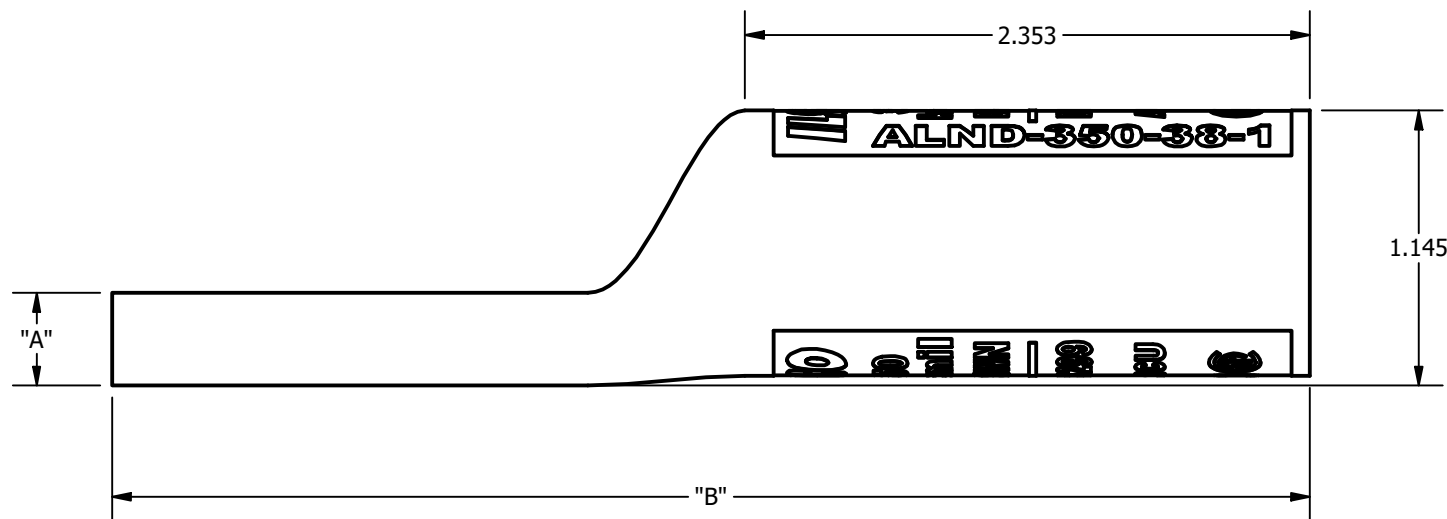
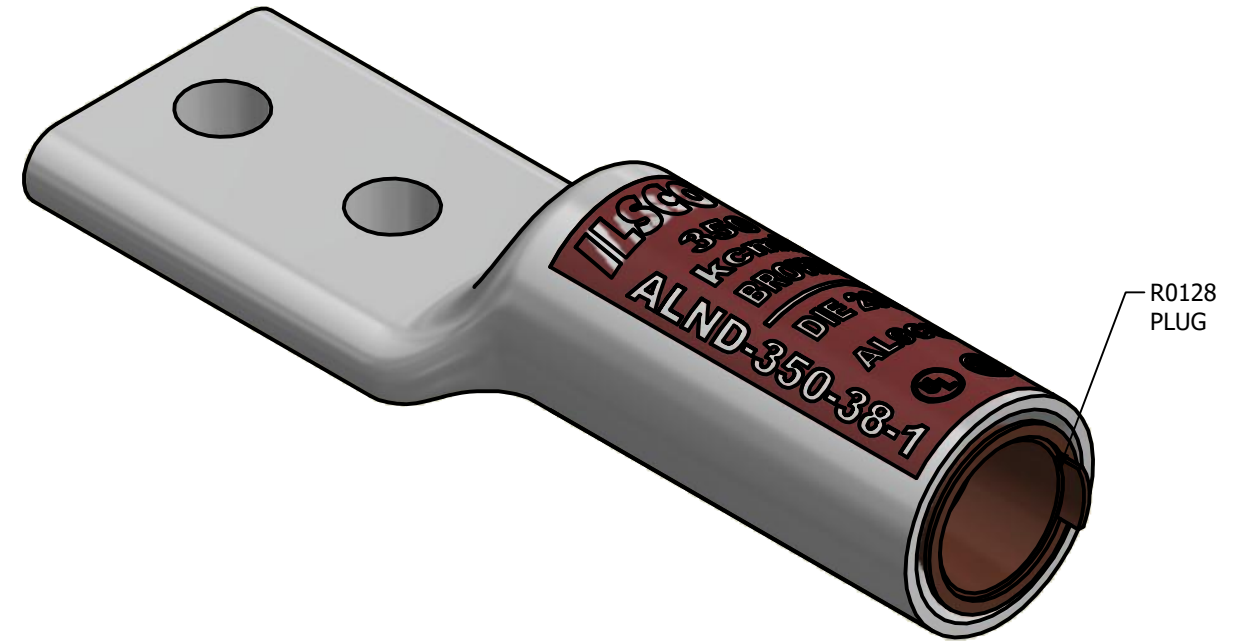
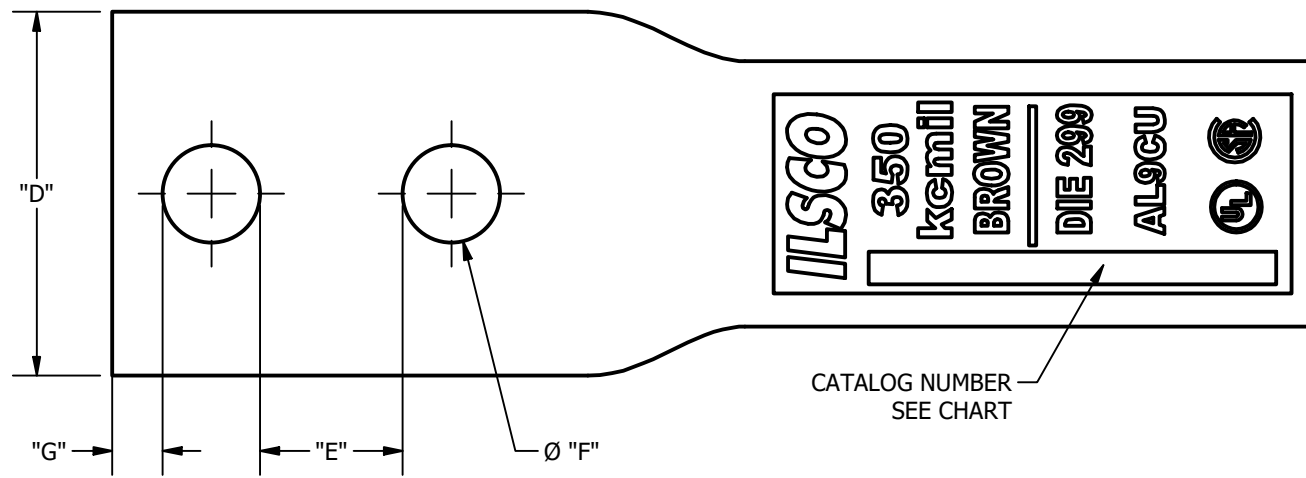


SCREW: NONE	MATERIAL: ALUMINUM	REV: V	 <i>connections</i> <i>matter</i> 800-776-9775 www.ilSCO.com
CAT. NO.: SEE CHART	PLATING: EL-TIN	DRAWN BY: MJK SCALE: NTS	
INFORMATION SHEET: FORM 196	MARKING: NO TANG MARKING	DATE: 6/12/2013 SIZE: B	
			DWG NO: YA1303, YAN1303 Double SHEET: 1 OF 1



CATALOG NUMBER	"A"	"B"	"D"	"E"	"F"	"G"
ALND-350-38-1	0.385	4.990	1.516	0.594	0.406	.211
ALNN-350-38-1	0.410	4.990	1.080	0.594	0.406	.211
ALND-350-12-1	0.385	5.163	1.516	0.438	0.562	.265
ALNN-350-12-1	0.410	5.180	1.075	0.438	0.562	.265
ALND-350-38-134	0.385	5.661	1.516	1.344	0.406	.211
ALNN-350-38-134	0.438	5.601	1.075	1.344	0.406	.211
ALND-350-12-134	0.385	6.065	1.516	1.188	0.562	.265
ALNN-350-12-134	0.438	6.060	1.075	1.188	0.562	.265