

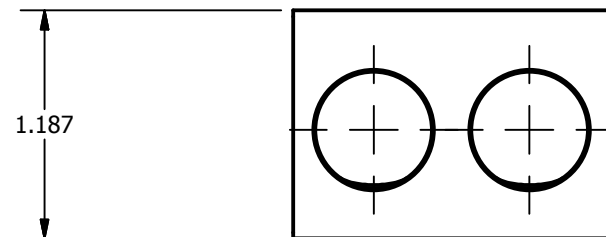
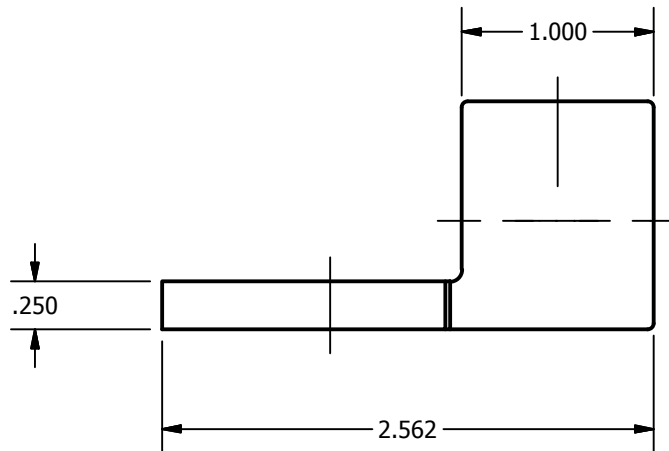
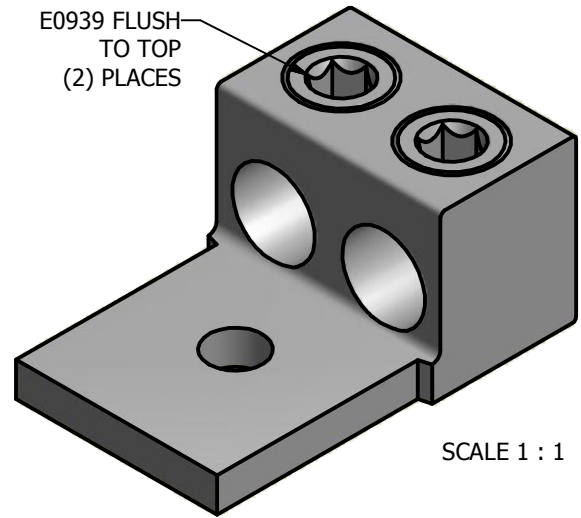
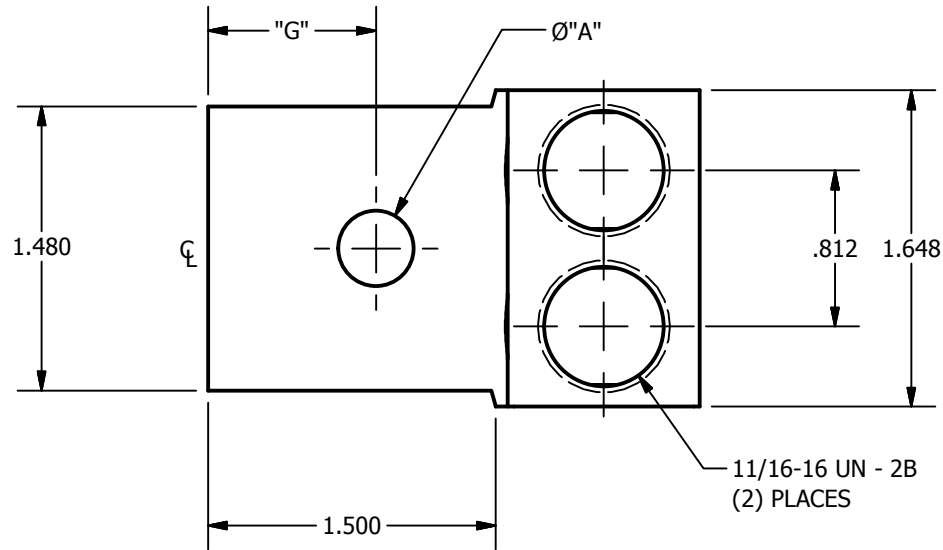


SCREW: E0939	MATERIAL: ALUMINUM	REV: G		
CAT. NO.: AU-250, AU-250-B	PLATING: EL-TIN	DRAWN BY: CLH	SCALE: 1:1	
INFORMATION SHEET: FORM 1	MARKING: ILSCO, D970, AU 250, 250kcmil-6, AL9CU	DATE: 11/2/2007	SIZE: A	
		DWG. NO. D0970		SHEET: 1 OF 1



DEVIATION	"G"	"A"
-22	.875	.390
-24	.750	.406
-25	.500	.390
-83	.875	.531