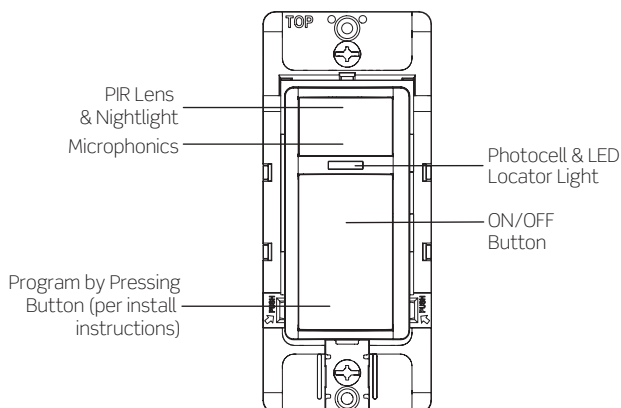


# Smart PIR Wall Switch Sensor



## Description

The Leviton Smart Wall Switch Occupancy Sensor (ODS15-xxx) uses Passive Infrared (PIR) detection technology to monitor a room for occupancy using a segmented, tamper resistant lens. A specialized lens divides the field-of-view into sensor zones. When a person passes in or out of a sensor zone, the sensor detects motion and switches the lights ON. The lights will remain ON as long as an occupant is moving through the sensor zones. The ODS15-xxx's vacancy mode features manual-ON/ auto-OFF for installations where manual-ON switching is required for energy code applications. A "minor motion" zone detects small body movements allowing the lights to stay ON even though a person may not be moving or walking around the room. The "major motion" zone, exhibits a lesser degree of sensitivity and requires larger movements.

Configuration of the ODS15-xxx is made using the Leviton Smart Sensor App from a smartphone or other Bluetooth®-enabled Android or iOS device. Simple configuration can also be applied using pushbutton setup for several popular pre configured options. The ODS15 integrates a photocell for daylighting hold-OFF which can be programmed using the Leviton Smart Sensor App.

## Applications

- Office
- Small Lobbies
- Meeting Rooms
- Single Occupant Restrooms

## Features

- Can be used to comply with ASHRAE 90.1, IECC, and 2025 Title 24, Part 6 occupancy/vacancy sensing, dimming, and manual-ON/auto-OFF requirements
- Fits in a standard wallbox and gangable with other units
- Use the Leviton Push to Pair (P2P) process to create a multi-way system for up to 5 devices
- Controls LED lighting loads up to 10A
- One relay module for single-level switching
- 180° field-of-view provides approximately 1,100 square feet of coverage
  - Latest PIR technology accurately detects minor motion up to 400sq ft and major motion up to 1,100 sq ft
  - Maximum sensing distance in front of the sensor is 30-40 feet and 15-20 feet on either side
- Integrated photocell for daylighting hold-OFF
- Advanced configuration can be performed using the Leviton Smart Sensor App on any Bluetooth-enabled Android or iOS device:
  - Set the operating mode for Occupancy (auto-ON/auto-OFF) or Vacancy (manual-ON/auto-OFF)
  - Includes operating modes with auto-OFF Only that will only turn lights OFF when a spaces becomes vacant and the timeout expires, ignoring any button presses
  - Adjust sensitivity and timeouts
    - Timeout options (30s, 5min, 10min, 15min, 20min, 30min and 60min)
  - Enable the integrated photocell for daylighting hold-OFF and select target daylighting hold-OFF levels
  - Activate the nightlight and select nightlight color
  - Set a security code to lock configuration settings
- Out-of-the-box configuration default mode:
  - Auto-ON/Auto-OFF with 10-minute timeout
  - Sensitivity set to 75%
  - Nightlight and daylighting disabled

# Product Data

## ODS15-xxx

### Features (continued)

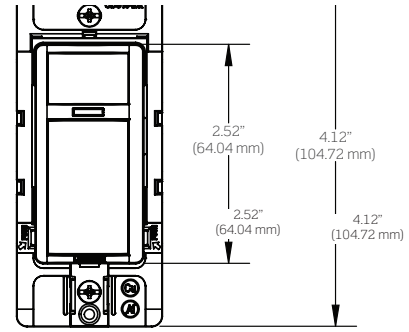
- Convenient pushbutton hold configuration for installers without a smart device\*:

#### Pushbutton Hold Configuration

Button (#)	Operating Mode	Sensitivity (%)	Time Out (mins)
1	Auto-ON/ Auto-OFF	75	10
2			20
3		100	10
4			20
5	Manual-ON/ Auto-OFF	75	10
6			20
7		100	10
8			20

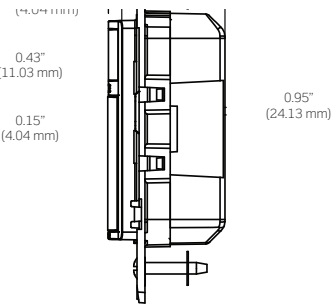
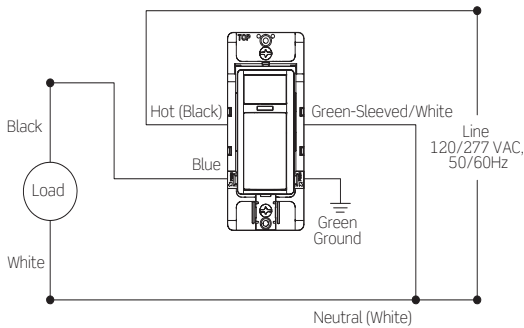
\*Requires removal of front face cover

### Dimensions Diagrams



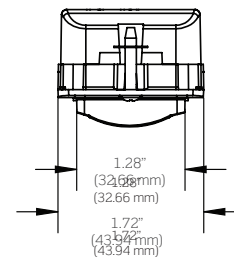
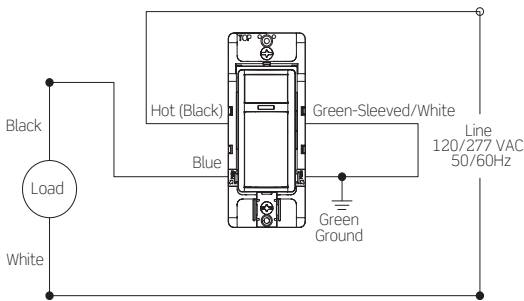
0.43" Front View

### Wiring Diagram—Neutral



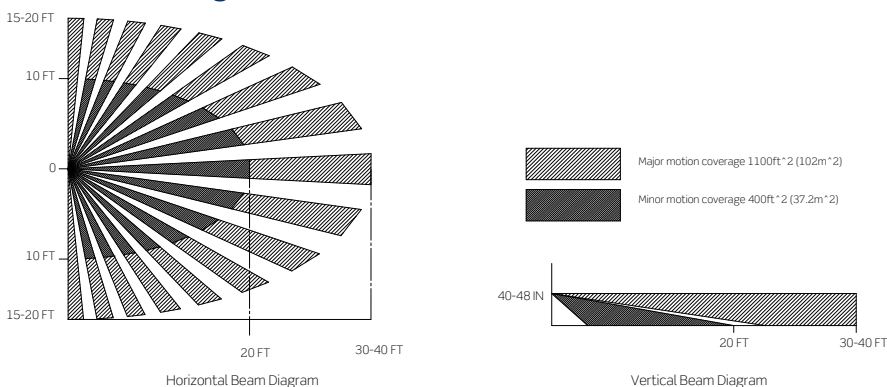
Side View

### Wiring Diagram—No Neutral



Top View

### Field of View Diagram



## Specifications

Electrical	
Input Voltage/Frequency	
120-277VAC	50/60Hz
120VAC	60Hz
Input Current	
120V	Standby: 0.2W Max: 0.5W+Load Current
277V	Standby: 0.3W Max: 0.6W+Load Current
Load Ratings	
LED/Electronic Ballast @ 120V	10A
LED/Electronic Ballast @ 277V*	
Standard Ballast @ 120V	
Standard Ballast @ 277V	
Tungsten @ 120V	6.67A
Tungsten @ 277V	
Motor @ 120V	1/4HP (FLA 5.8A)
Motor @ 277V	1/3HP (FLA 3.0A)
IP Rating	IP20
Network Connections	BLE 4.2, BLE 5.0
Environmental	
Operating Temperature	32 to 104°F (0 to 40°C)
Storage Temperature	-40 to 185°F (-40 to 85°C)
Physical	
Dimensions	4.12" x 1.72" x 1.38" (104.72mm x 43.94mm x 35.05mm)
Other	
Energy Codes	Can be used to comply with ASHRAE 90.1, IECC, and 2025 Title 24, Part 6 occupancy/vacancy sensing, dimming, and manual-ON/auto-OFF requirements
Listings	IECC, UL and cUL listed; JIS Z 2801:2000
Certifications	FCC, ICC
Warranty	Limited five-year warranty

\*Only applicable to ODS15-IDW/IDI

**Ordering Information**

<b>Smart Wallbox Sensors</b>	
<b>Cat. No.</b>	<b>Description</b>
ODS15-041-IDW	Smart PIR Wallbox Sensor, App configurable; Auto-ON/Auto-OFF or Manual-ON/Auto-OFF, no neutral wire required, 120-277VAC, 50/60Hz; White
ODS15-051-IDW	Smart PIR Wallbox Sensor, App configurable; Auto-ON/Auto-OFF or Manual-ON/Auto-OFF, no neutral wire required, 120-277VAC, 50/60Hz; White
ODS15-042-IDI	Smart PIR Wallbox Sensor, App configurable; Auto-ON/Auto-OFF or Manual-ON/Auto-OFF, no neutral wire required, 120-277VAC, 50/60Hz; Ivory
ODS15-052-IDI	Smart PIR Wallbox Sensor, App configurable; Auto-ON/Auto-OFF or Manual-ON/Auto-OFF, no neutral wire required, 120-277VAC, 50/60Hz; Ivory
ODS15-008-IDI*	Smart PIR Wallbox Sensor, App configurable; Auto-ON/Auto-OFF or Manual-ON/Auto-OFF, neutral wire required, 120-277VAC, 50/60Hz; Ivory
ODS15-017-I1I*	Smart PIR Wallbox Sensor, App configurable; Antimicrobial, Auto-ON/Auto-OFF or Manual-ON/Auto-OFF, neutral wire required, 120VAC, 50/60Hz; Ivory
ODS15-009-I1I*	Smart PIR Wallbox Sensor, App configurable; Auto-ON/Auto-OFF or Manual-ON/Auto-OFF, neutral wire required, 120VAC, 50/60Hz; Ivory
ODS15-GHW*	Smart PIR Wallbox Sensor, App configurable; Antimicrobial, Auto-ON/Auto-OFF or Manual-ON/Auto-OFF, no neutral wire required, 120-277VAC, 50/60Hz; Retail Packaging unit & master carton, White
DOSKT-00E	Smart Switching Wallbox Sensor Color Change Kit, Black
DOSKT-00B	Smart Switching Wallbox Sensor Color Change Kit, Brown
DOSKT-00G	Smart Switching Wallbox Sensor Color Change Kit, Gray
DOSKT-00I	Smart Switching Wallbox Sensor Color Change Kit, Ivory
DOSKT-00T	Smart Switching Wallbox Sensor Color Change Kit, Light Almond
DOSKT-00W	Smart Switching Wallbox Sensor Color Change Kit, White

**Note:** Wallplate sold separately.

\*Uses DOSKT color change kits.

**Leviton Manufacturing Co., Inc. Lighting & Controls**

10385 SW Avery Street, Tualatin, OR 97062 **tel** 800-736-6682 **tech line** (6:00AM-4:00PM PT Mon-Fri) 800-959-6004

**Leviton Manufacturing Co., Inc. Global Headquarters**

201 North Service Road, Melville, NY 11747-3138 **tel** 800-323-8920 **tech line** (8:00AM-10:00PM ET Mon-Fri, 9:00AM-7:00PM ET Sat, 9:00AM-5:00PM ET Sun) 800-824-3005

**Visit our Website at: [www.leviton.com/smartsensors](http://www.leviton.com/smartsensors)**

©2026 Leviton Manufacturing Co., Inc. All rights reserved. Subject to change without notice.