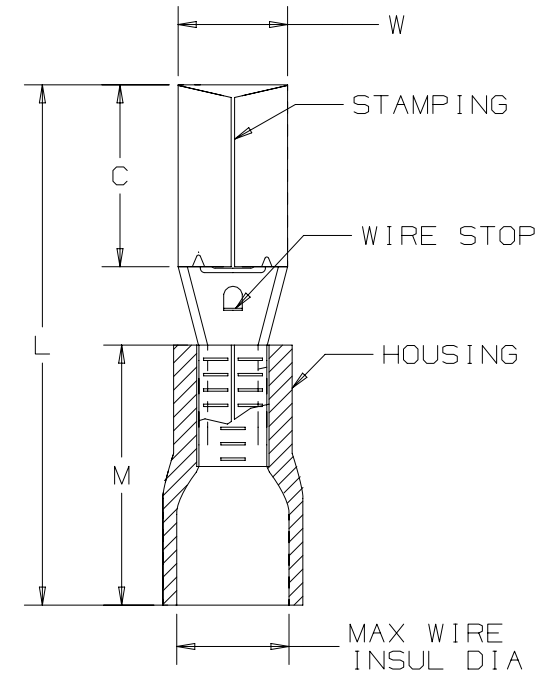


THIS COPY IS PROVIDED ON A RESTRICTED BASIS AND IS NOT TO BE USED IN ANY WAY DETRIMENTAL TO THE INTERESTS OF PANDUIT CORP.

PANDUIT PART #	WIRE RANGE AWG [mm ²]	COLOR	DIMENSIONS in. [mm]				MAX WIRE INSUL DIA	WIRE STRIP LENGTH in [mm] + 1/32 [0.8] -0	TOOLS
			L ± .04 [1.1]	W ± .01 [0.3]	C ± .02 [0.4]	M ± .02 [0.6]			
EBV18-4B	#22-16 [0.5-1.5]	RED	0.85 [21.5]	.15 [3.9]	.28 [7.0]	.39 [10.0]	.145 [3.7]	9/32" [6.8]	KST2000C
EBV14-4B	#16-14 [1.5-2.5]	BLUE	0.85 [21.5]	.15 [3.9]	.28 [7.0]	.39 [10.0]	.165 [4.2]		

NOTES:

- UL RECOGNIZED FOR:
 - A. STRANDED COPPER WIRE ONLY - INTERNAL WIRING
 - B. NOT FOR INTERRUPTING CURRENT
 - C. 122°F (50°C) MAX TEMP RATING
 - D. 600V MAX VOLTAGE RATING
- MATERIAL:
 - A. STAMPING - .016" [0.4] THICK BRASS, TIN PLATED
 - B. HOUSING - VINYL
- SEE WWW.PANDUIT.COM FOR PACKAGE QUANTITIES
- DIMENSIONS IN BRACKETS ARE METRIC EQUIVALENT.



TITLE STRONGHOLD FEMALE BULLET CONNECTORS (156 SERIES) VINYL INSULATED, #22-14 AWG CUSTOMER DRAWING				
ITEM REVISION NAME		00123SSS/00		
DATASET FILE NAME		00123SSS/00		
UNLESS OTHERWISE SPECIFIED, DIMENSIONAL TOLERANCES ARE: IN [mm] .x ± .1 [2.54] .xxx ± .005 [.127] .xx ± .01 [.25] ANGLES ± 5°				MATERIAL: SEE NOTES
DRAWING NUMBER: 00123SSS-DC				
DRAWN BY	DATE	CHK	SCALE	SIZE
JHNU	2/18		NONE	A

REV	DATE	BY	CHK	APR	DESCRIPTION	ECN
00	2/18	JHNU	TMR	RGB	DRAWING RELEASED	00123SS

D10100DA/20