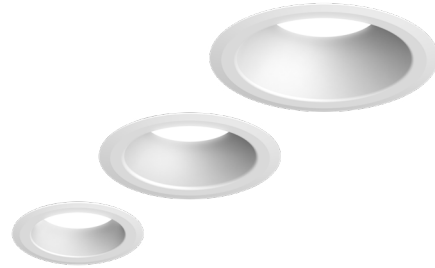


**LITEBOX**<sup>®</sup>  
standard



**FEATURES**

- 4", 6" and 8" apertures
- Switchable lumen output
- Switchable CCT (27/30/35/40/50K)
- Optional mounting pans available
- Universal 120–277V with Tri-Dimming (0–10V/TRIAC/ELV)
- Long Life L80 at >54,000 hrs (TM-21)
- Five year warranty



**SERVICE PROGRAMS**



**SPECIFICATIONS**

**CONSTRUCTION**

- Canless New Construction, Remodel, or Retrofit, Non-IC. Select IC models available.
- Single piece luminaire allowing for quick, simple and tool-less install
- Color trim accessories available in White, Black and Silver offer dead front properties

**OPTICS**

- Polycarbonate lensed optic, suitable for wet location, covered ceiling applications

**ELECTRICAL**

- LED array with 3 SDCM color consistency
- Maintains 80% of lumen output at >54,000 hours of operation (L80 at 54,000hrs TM-21)
- Switchable CCT (2700K, 3000K, 3500K, 4000K, 5000K)
- 90 CRI+ with R9 >50
- Switchable Lumen: 4" (750/1100/1500lm); 6" (1100/1500/2500lm); 8" (3000/4000/4600lm)
- High efficiency integral driver with universal 120-277V, 50/60Hz

**ELECTRICAL (CONTINUED)**

- Tri-Dimming: 0–10V to 1% and ELV/Triac Phase dimming to 5%
- See Additional Information section for a list of recommended dimmers
- Meets Class A (<24dba) noise rating
- FCC CFR 47 Part 15 Class B
- ≥ 0.9 Power Factor, <20% THD

**INSTALLATION**

- Robust trim mounting springs hold fixture firmly against ceiling surface
- Accommodates ceiling thicknesses up to 1" (for 6" and 8"); ¾" (for 4")
- Fixture installs below the ceiling without a housing
- Optional mounting pan accessories with bar hangers; available with or without emergency
- Field select CCT at installation with an integral switch on fixture module
- Field select lumen output at installation with an integral switch of fixture module

**CERTIFICATIONS**

- cETLus listed to UL1598
- 4" models: Can be used in direct contact with insulation
- Certified Air Tight per ASTM E283
- 4" models: Meet CA Title 24 High Efficacy (JA8-2019) requirements
- Suitable for wet locations, covered ceilings
- Emergency battery packs are California Energy Commission (CEC) Title 20 Compliant
- ENERGY STAR<sup>®</sup> Certified

**WARRANTY**

- 5 year warranty

| KEY DATA              |               |
|-----------------------|---------------|
| Lumen Range           | 750–4600      |
| Wattage Range         | 9–49          |
| Efficacy Range (LPW)  | 76–106        |
| Reported Life (Hours) | L80 @ >54,000 |

**ORDERING GUIDE**

Example: LBRST-4RD-M-LSSL-CS9-WH

CATALOG #

**FIXTURE MODULE / TRIM**

| LBRST   | M   | LS   |
|---|---|--|
| Family  | Model/Type  | Switchable Technology / Nominal Lumen Range <sup>1</sup>   |
| <b>LBRST</b> LiteBox® Standard<br><b>4RD</b> 4" Round<br><b>6RD</b> 6" Round<br><b>8RD</b> 8" Round | <b>M</b> Fixture Module/Trim, Round Direct Install, 120–277V with Tri-Dimming 0–10V to 1% and ELV/Triac Phase to 5% | <b>LS</b> Switchable Lumen<br><b>SL</b> 750/1100/ <b>1500</b> lumens (4" only)<br><b>ML</b> 1100/1500/ <b>2500</b> lumens (6" only)<br><b>HL</b> 3000/4000/ <b>4600</b> lumens (8" only) |

| CS9   | WH                     | Option  |
|---|------------------------|---|
| CCT/CRI <sup>1</sup>  | Reflector Finish/Color |   |
| <b>CS9</b> Switchable CCT (2700/3000/ <b>3500</b> /4000/5000K), 90CRI | <b>WH</b> White        | Standard without EMR capability<br><b>EMR</b> Emergency Battery Backup Ready <sup>2</sup> |

Accessories (Order separately)

**Color Trim Accessories**

- LBRST-4RD-T-BL** Trim Accessory, 4" Round, Black
- LBRST-4RD-T-SVR** Trim Accessory, 4" Round, Silver
- LBRST-4RD-T-WH** Trim Accessory, 4" Round, White
- LBRST-6RD-T-BL** Trim Accessory, 6" Round, Black
- LBRST-6RD-T-SVR** Trim Accessory, 6" Round, Silver
- LBRST-6RD-T-WH** Trim Accessory, 6" Round, White
- LBRST-8RD-T-BL** Trim Accessory, 8" Round, Black
- LBRST-8RD-T-SVR** Trim Accessory, 8" Round, Silver
- LBRST-8RD-T-WH** Trim Accessory, 8" Round, White

**Mounting Pans**

- FRAME4R-HB** Mounting Pan, New Construction w/Bar Hangers, 4" Round
- FRAME6R-HB** Mounting Pan, New Construction w/Bar Hangers, 6" Round
- FRAME8-HB** Mounting Pan, New Construction w/Bar Hangers, 8" Round

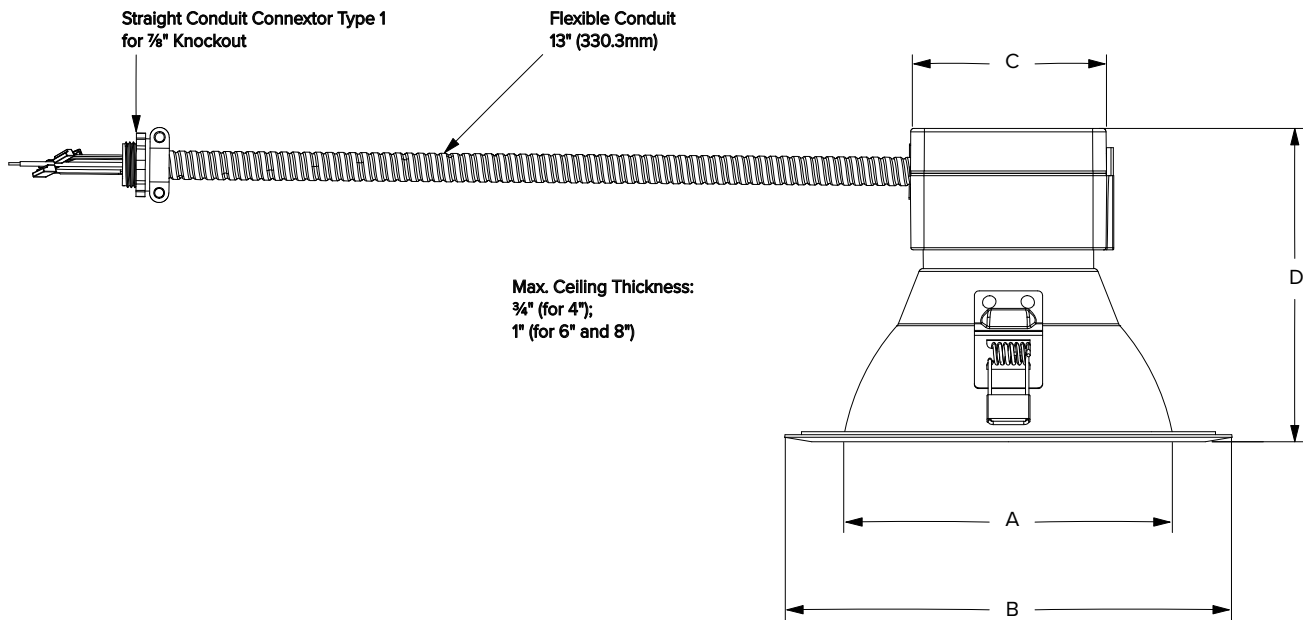
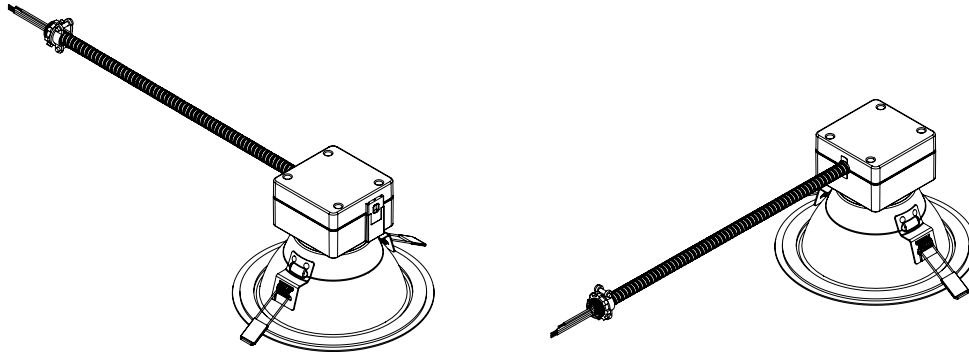
**Emergency Backup Kit**

- FRAME4RELO7** Mounting Pan, New Construction, Emergency Battery Backup, 4" Round
- FRAME6RELO7** Mounting Pan, New Construction, Emergency Battery Backup, 6" Round
- FRAME8ELO7** Mounting Pan, New Construction, Emergency Battery Backup, 8" Round
- LDEMBBKIT07** Emergency Battery Backup Kit, Remote Mount

Notes:

- 1 Factory default setting in bold
- 2 Emergency Battery Backup fixture requires -EMR Module/Trim Option and Emergency Battery Backup kit.

**DIMENSIONS**

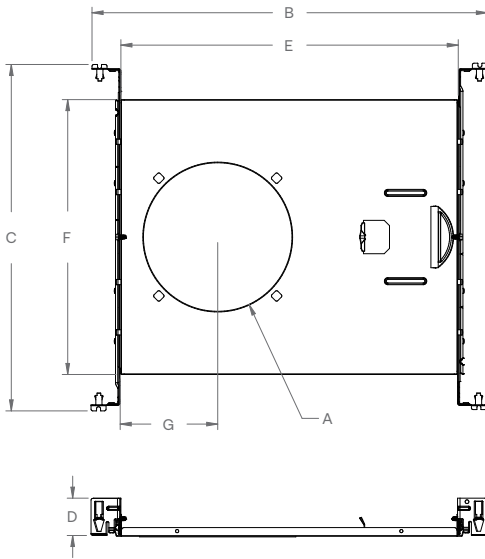
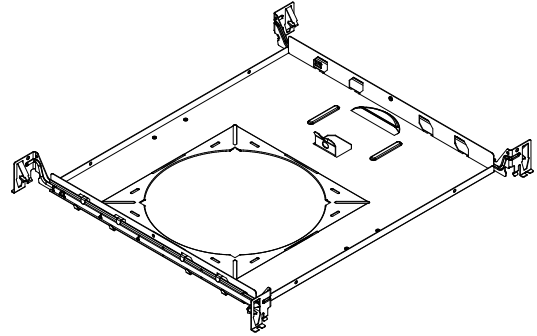
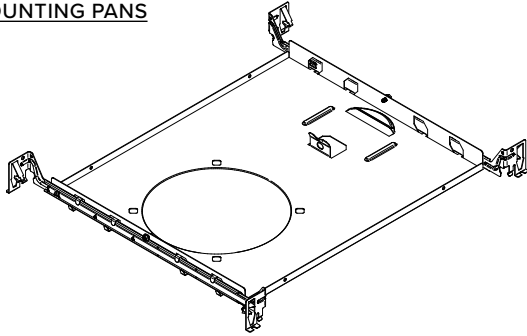


| Aperture | Ceiling Cutout Min.-Max.           |
|----------|------------------------------------|
| 4"       | 4.7" ~ 5.0"<br>(119.4mm ~ 127.0mm) |
| 6"       | 6.0" ~ 6.7"<br>(152.4mm ~ 170.2mm) |
| 8"       | 7.8" ~ 8.8"<br>(198.1mm ~ 223.5mm) |

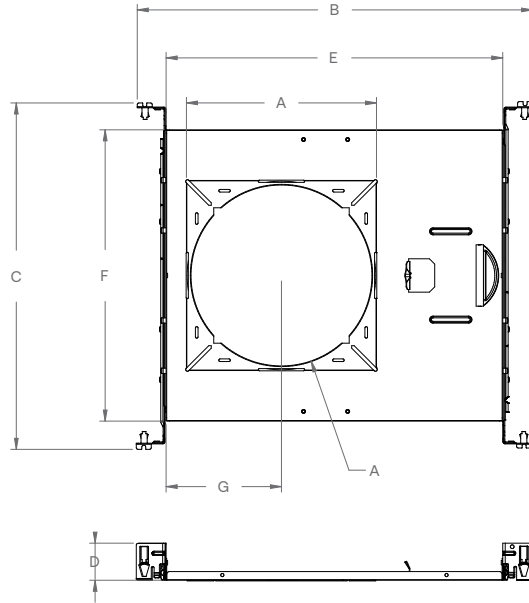
| Nominal Aperture | A Aperture Diameter | B Overall Trim Diameter | C Overall Module Heat Sink | D Overall Height (Assembled) |
|------------------|---------------------|-------------------------|----------------------------|------------------------------|
| 4"               | 3.98" (101.2mm)     | 5.6" (142.3mm)          | 3.40" (86.4mm)             | 4.68" (118.8mm)              |
| 6"               | 5.59" (141.9mm)     | 7.75" (196.8mm)         | 3.40" (86.4mm)             | 5.43" (137.8mm)              |
| 8"               | 7.43" (188.6mm)     | 9.75" (247.6mm)         | 3.40" (86.4mm)             | 6.02" (152.8mm)              |

**DIMENSIONS (CONTINUED)**

**MOUNTING PANS**



**4" & 6" MODELS**



**8" MODEL**

**For 4" & 6" Models:**

| Catalog Number | "A" Aperture Opening | "B" Overall Length  | "C" Overall Width   | "D" Height        | "E" Pan Length      | "F" Pan Width       | "G" Aperture Center |
|----------------|----------------------|---------------------|---------------------|-------------------|---------------------|---------------------|---------------------|
| FRAME4R-HB     | Ø 4.94"<br>(125.5mm) | 17.65"<br>(448.3mm) | 14.57"<br>(370.1mm) | 1.68"<br>(42.7mm) | 15.03"<br>(381.8mm) | 12.28"<br>(311.9mm) | 4.32"<br>(109.7mm)  |
| FRAME6R-HB     | Ø 6.64"<br>(168.7mm) |                     |                     |                   |                     |                     |                     |

**For 8" Model:**

| Catalog Number | "A" Aperture Opening | "B" Overall Length  | "C" Overall Width   | "D" Height        | "E" Pan Length      | "F" Pan Width       | "G" Aperture Center |
|----------------|----------------------|---------------------|---------------------|-------------------|---------------------|---------------------|---------------------|
| FRAME8-HB      | Ø 8.07"<br>(205mm)   | 17.65"<br>(448.3mm) | 14.57"<br>(370.1mm) | 1.68"<br>(42.7mm) | 15.03"<br>(381.8mm) | 12.99"<br>(329.9mm) | 5.14"<br>(130.6mm)  |

# LBRST-RD

LIGHT COMMERCIAL DOWNLIGHT

## PERFORMANCE DATA TABLE

| Nominal Aperture | Switchable Lumen Setting | Nominal Lumens | Cat #                   | CCT | CRI  | Delivered Lumens | Watts | LPW |
|------------------|--------------------------|----------------|-------------------------|-----|------|------------------|-------|-----|
| 4"               | Low                      | 750            | LBRST-4RD-M-LSSL-CS9-WH | 27K | 90   | 773              | 8.8W  | 88  |
|                  |                          |                | LBRST-4RD-M-LSSL-CS9-WH | 30K |      | 780              | 8.8W  | 89  |
|                  |                          |                | LBRST-4RD-M-LSSL-CS9-WH | 35K |      | 787              | 8.8W  | 90  |
|                  |                          |                | LBRST-4RD-M-LSSL-CS9-WH | 40K |      | 795              | 8.7W  | 92  |
|                  |                          |                | LBRST-4RD-M-LSSL-CS9-WH | 50K |      | 807              | 8.8W  | 92  |
|                  | Med                      | 1100           | LBRST-4RD-M-LSSL-CS9-WH | 27K |      | 1090             | 12.8W | 85  |
|                  |                          |                | LBRST-4RD-M-LSSL-CS9-WH | 30K |      | 1105             | 12.8W | 86  |
|                  |                          |                | LBRST-4RD-M-LSSL-CS9-WH | 35K |      | 1119             | 12.8W | 87  |
|                  |                          |                | LBRST-4RD-M-LSSL-CS9-WH | 40K |      | 1133             | 12.9W | 88  |
|                  |                          |                | LBRST-4RD-M-LSSL-CS9-WH | 50K |      | 1153             | 12.9W | 89  |
|                  | High                     | 1500           | LBRST-4RD-M-LSSL-CS9-WH | 27K |      | 1521             | 18.9W | 80  |
|                  |                          |                | LBRST-4RD-M-LSSL-CS9-WH | 30K |      | 1539             | 19.1W | 81  |
|                  |                          |                | LBRST-4RD-M-LSSL-CS9-WH | 35K |      | 1560             | 19.1W | 82  |
|                  |                          |                | LBRST-4RD-M-LSSL-CS9-WH | 40K |      | 1572             | 19.1W | 83  |
|                  |                          |                | LBRST-4RD-M-LSSL-CS9-WH | 50K |      | 1583             | 19.1W | 83  |
| 6"               | Low                      | 1100           | LBRST-6RD-M-LSML-CS9-WH | 27K | 1160 | 13.4W            | 87    |     |
|                  |                          |                | LBRST-6RD-M-LSML-CS9-WH | 30K | 1183 | 13.4W            | 89    |     |
|                  |                          |                | LBRST-6RD-M-LSML-CS9-WH | 35K | 1205 | 13.3W            | 91    |     |
|                  |                          |                | LBRST-6RD-M-LSML-CS9-WH | 40K | 1227 | 13.3W            | 92    |     |
|                  |                          |                | LBRST-6RD-M-LSML-CS9-WH | 50K | 1258 | 13.3W            | 95    |     |
|                  | Med                      | 1500           | LBRST-6RD-M-LSML-CS9-WH | 27K | 1470 | 17.4W            | 84    |     |
|                  |                          |                | LBRST-6RD-M-LSML-CS9-WH | 30K | 1506 | 17.5W            | 86    |     |
|                  |                          |                | LBRST-6RD-M-LSML-CS9-WH | 35K | 1540 | 17.5W            | 88    |     |
|                  |                          |                | LBRST-6RD-M-LSML-CS9-WH | 40K | 1570 | 17.5W            | 90    |     |
|                  |                          |                | LBRST-6RD-M-LSML-CS9-WH | 50K | 1613 | 17.5W            | 92    |     |
|                  | High                     | 2500           | LBRST-6RD-M-LSML-CS9-WH | 27K | 2351 | 30.8W            | 76    |     |
|                  |                          |                | LBRST-6RD-M-LSML-CS9-WH | 30K | 2403 | 30.8W            | 78    |     |
|                  |                          |                | LBRST-6RD-M-LSML-CS9-WH | 35K | 2455 | 30.7W            | 80    |     |
|                  |                          |                | LBRST-6RD-M-LSML-CS9-WH | 40K | 2502 | 30.7W            | 82    |     |
|                  |                          |                | LBRST-6RD-M-LSML-CS9-WH | 50K | 2543 | 30.5W            | 83    |     |
| 8"               | Low                      | 3000           | LBRST-8RD-M-LSHL-CS9-WH | 27K | 3032 | 29.7W            | 102   |     |
|                  |                          |                | LBRST-8RD-M-LSHL-CS9-WH | 30K | 3074 | 29.8W            | 103   |     |
|                  |                          |                | LBRST-8RD-M-LSHL-CS9-WH | 35K | 3096 | 29.8W            | 104   |     |
|                  |                          |                | LBRST-8RD-M-LSHL-CS9-WH | 40K | 3118 | 29.7W            | 105   |     |
|                  |                          |                | LBRST-8RD-M-LSHL-CS9-WH | 50K | 3132 | 29.5W            | 106   |     |
|                  | Med                      | 4000           | LBRST-8RD-M-LSHL-CS9-WH | 27K | 3973 | 41.5W            | 96    |     |
|                  |                          |                | LBRST-8RD-M-LSHL-CS9-WH | 30K | 4011 | 41.4W            | 97    |     |
|                  |                          |                | LBRST-8RD-M-LSHL-CS9-WH | 35K | 4074 | 41.5W            | 98    |     |
|                  |                          |                | LBRST-8RD-M-LSHL-CS9-WH | 40K | 4101 | 41.6W            | 99    |     |
|                  |                          |                | LBRST-8RD-M-LSHL-CS9-WH | 50K | 4116 | 41.5W            | 99    |     |
|                  | High                     | 4600           | LBRST-8RD-M-LSHL-CS9-WH | 27K | 4477 | 48.7W            | 92    |     |
|                  |                          |                | LBRST-8RD-M-LSHL-CS9-WH | 30K | 4527 | 48.6W            | 93    |     |
|                  |                          |                | LBRST-8RD-M-LSHL-CS9-WH | 35K | 4568 | 48.5W            | 94    |     |
|                  |                          |                | LBRST-8RD-M-LSHL-CS9-WH | 40K | 4596 | 48.4W            | 95    |     |
|                  |                          |                | LBRST-8RD-M-LSHL-CS9-WH | 50K | 4611 | 48.2W            | 96    |     |

# LBRST-RD

LIGHT COMMERCIAL DOWNLIGHT

## PHOTOMETRY

### LBRST-4RD-M-LSSL-CS9-WH

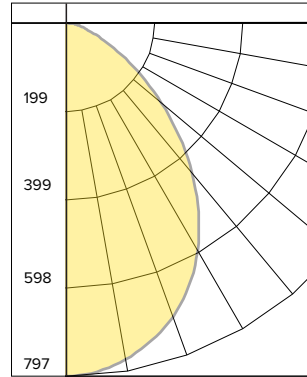
#### LUMINAIRE DATA

|                   |                              |
|-------------------|------------------------------|
| Test No           | LBSTD230244NB-A-R22          |
| Description       | 4" LBRST, High Lumen @ 3000K |
| Delivered Lumens  | 1539                         |
| Watts             | 18.9W                        |
| Efficacy          | 81.1                         |
| Mounting          | Recessed                     |
| Spacing Criterion | 1.14                         |

#### ZONAL LUMEN SUMMARY

| Zone  | Lumens | % Luminaire |
|-------|--------|-------------|
| 0-40  | 914    | 59.4        |
| 0-60  | 1383   | 89.9        |
| 0-90  | 1539   | 100.0       |
| 0-180 | 1539   | 100.0       |

#### POLAR GRAPH



#### CANDELA DISTRIBUTION

| Degree | Candela |
|--------|---------|
| 0      | 797     |
| 5      | 790     |
| 15     | 744     |
| 25     | 657     |
| 35     | 522     |
| 45     | 362     |
| 55     | 208     |
| 65     | 94      |
| 75     | 42      |
| 85     | 10      |

#### LUMINANCE DATA\*

| Vertical Angle | Average |
|----------------|---------|
| 45°            | 63029   |
| 55°            | 44731   |
| 65°            | 27368   |
| 75°            | 19860   |
| 85°            | 14525   |

\*Candela/Square Meter

### LBRST-6RD-M-LSML-CS9-WH

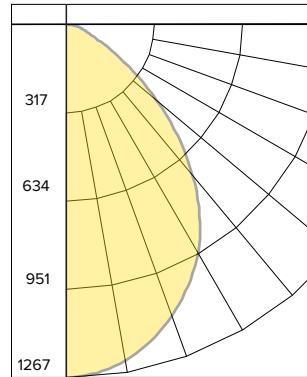
#### LUMINAIRE DATA

|                   |                              |
|-------------------|------------------------------|
| Test No           | LBSTD230244NB-B-R22          |
| Description       | 6" LBRST, High Lumen @ 3000K |
| Delivered Lumens  | 2403                         |
| Watts             | 30.8W                        |
| Efficacy          | 78.1                         |
| Mounting          | Recessed                     |
| Spacing Criterion | 1.14                         |

#### ZONAL LUMEN SUMMARY

| Zone  | Lumens | % Luminaire |
|-------|--------|-------------|
| 0-40  | 1464   | 60.9        |
| 0-60  | 2194   | 91.3        |
| 0-90  | 2403   | 100.0       |
| 0-180 | 2403   | 100.0       |

#### POLAR GRAPH



#### CANDELA DISTRIBUTION

| Degree | Candela |
|--------|---------|
| 0      | 1267    |
| 5      | 1255    |
| 15     | 1178    |
| 25     | 1037    |
| 35     | 840     |
| 45     | 571     |
| 55     | 298     |
| 65     | 117     |
| 75     | 58      |
| 85     | 15      |

#### LUMINANCE DATA\*

| Vertical Angle | Average |
|----------------|---------|
| 45°            | 44257   |
| 55°            | 28493   |
| 65°            | 15117   |
| 75°            | 12283   |
| 85°            | 9402    |

\*Candela/Square Meter

### LBRST-8RD-M-LSHL-CS9-WH

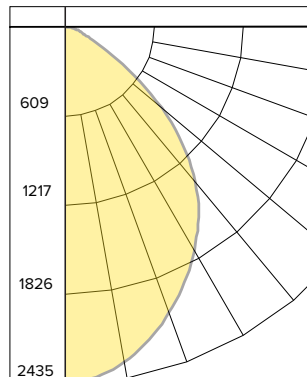
#### LUMINAIRE DATA

|                   |                              |
|-------------------|------------------------------|
| Test No           | LBSTD230244NB-C-R22          |
| Description       | 8" LBRST, High Lumen @ 3000K |
| Delivered Lumens  | 4527                         |
| Watts             | 48.6W                        |
| Efficacy          | 93.1                         |
| Mounting          | Recessed                     |
| Spacing Criterion | 1.12                         |

#### ZONAL LUMEN SUMMARY

| Zone  | Lumens | % Luminaire |
|-------|--------|-------------|
| 0-40  | 2753   | 60.8        |
| 0-60  | 4189   | 92.5        |
| 0-90  | 4527   | 100.0       |
| 0-180 | 4527   | 100.0       |

#### POLAR GRAPH



#### CANDELA DISTRIBUTION

| Degree | Candela |
|--------|---------|
| 0      | 2435    |
| 5      | 2407    |
| 15     | 2222    |
| 25     | 1940    |
| 35     | 1608    |
| 45     | 1156    |
| 55     | 600     |
| 65     | 198     |
| 75     | 92      |
| 85     | 24      |

#### LUMINANCE DATA\*

| Vertical Angle | Average |
|----------------|---------|
| 45°            | 50384   |
| 55°            | 32245   |
| 65°            | 14448   |
| 75°            | 10910   |
| 85°            | 8482    |

\*Candela/Square Meter

**ADDITIONAL INFORMATION**

**Dimming Compatibility**

For more details and recommended dimmer list, see Dimming Compatibility Information on [currentlighting.com/prescolite](http://currentlighting.com/prescolite).