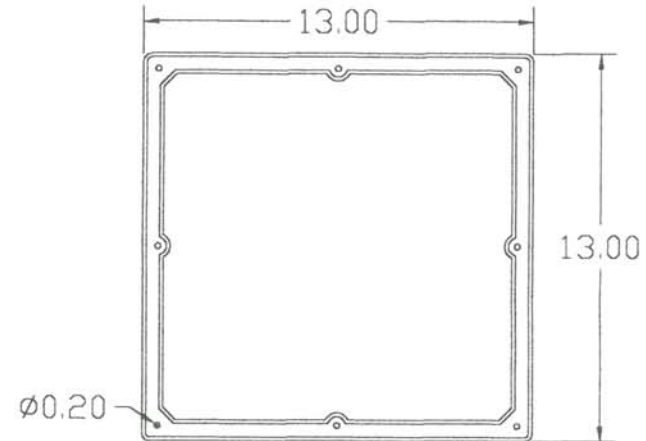


TOP VIEW

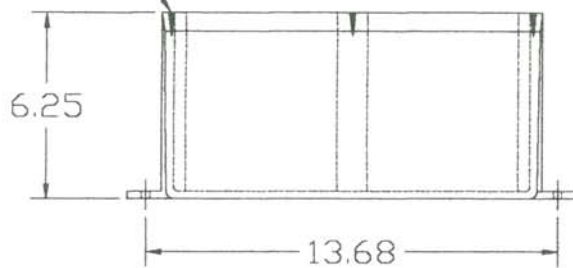


COVER (INSIDE VIEW)

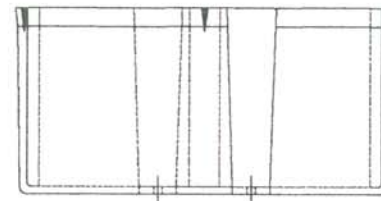


Holes for
cover
mounting
screws (8)

END VIEW



SIDE VIEW



NOTE: Box and cover are gray PVC of cell classification 12454-B. Cover is secured by eight self-tapping screws and sealed with a water-tight gasket. Gasket and screws are provided. Inside box dimensions are 12" X 12" X 6" deep, box volume of 810 cu. in. includes interior volume of cover and gasket. Box views are shown without cover.

CANTEX
INC.
Fort Worth, TEXAS

12" X 12" X 6" JUNCTION BOX
PART NUMBER 5133713

Dr.By: Tom Elliott

Date: 12-13-96 Ref. 12126JUN