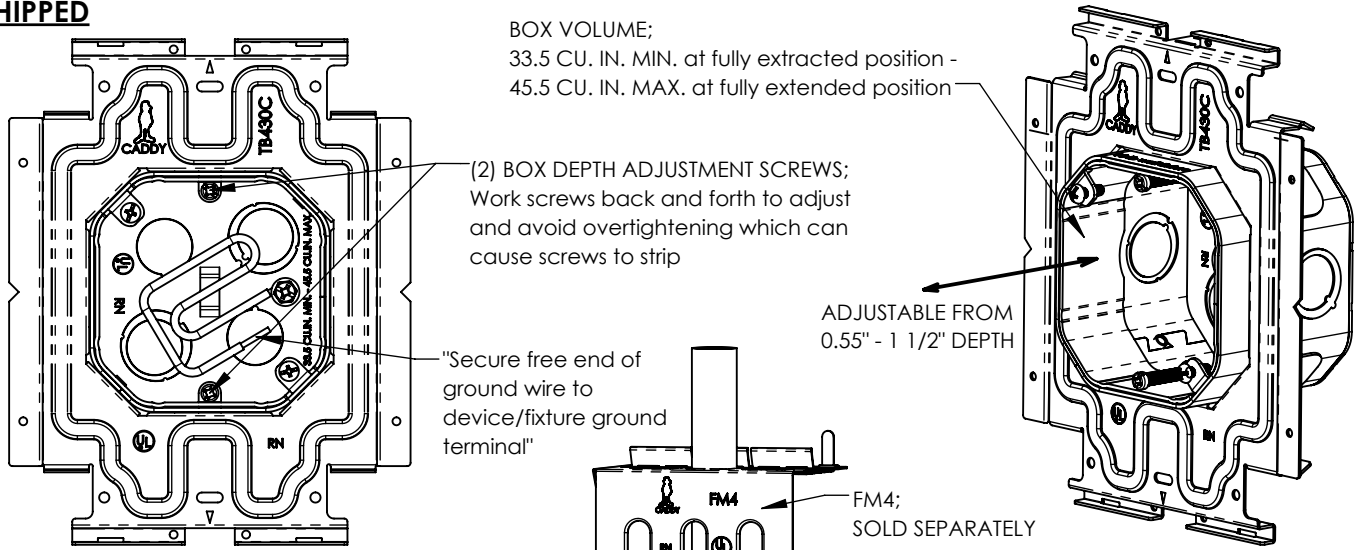


# TB430C, TB430CFB, TB430CRAIL

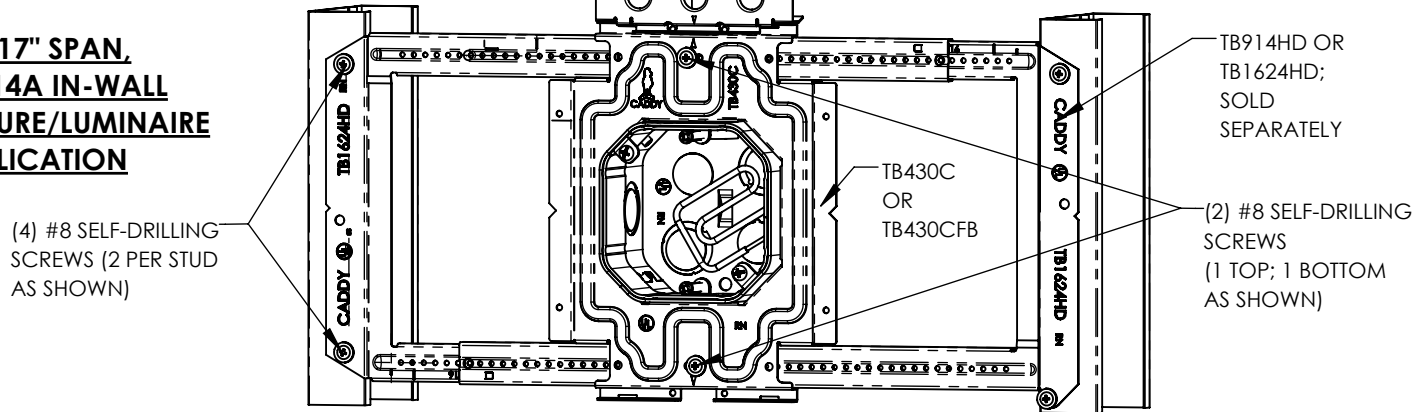
## 0.55" - 1 1/2" ADJUSTABLE OCTAGON BOX CENTER PLATE

TB CENTER PLATE	TB BRACKET	SPAN BETWEEN (2) STUDS	UL514A LOAD RATING	PAGE	TB430CRAIL	TBTG	12 GAUGE DROP WIRE	ADJUSTMENT RANGE
TB430C OR TB430CFB(RED)	TB914HD OR TB1624HD	9" - 17" SPAN	10 LBS IN-WALL FIXTURE/LUMINAIRE	PAGE 1	NONE	NONE	NONE	0.55" - 1 1/2" DEPTH
			50 LBS OVERHEAD CEILING FIXTURE/LUMINAIRE	PAGE 2	NONE	NONE	NONE	
	TB1624HD	OVER 17" - 25" SPAN	10 LBS IN-WALL FIXTURE/LUMINAIRE;	PAGES 2 & 3	(2)	NONE	NONE	
			50 LBS OVERHEAD CEILING FIXTURE/LUMINAIRE	PAGES 2 & 3	(2)	NONE	NONE	
TB914HD OR TB1624HD	9" - 25" SPAN	50 LBS T-GRID CEILING FIXTURE/LUMINAIRE	PAGES 3 & 4	NONE	(2)	(1)		

**AS SHIPPED**



**9" - 17" SPAN, UL514A IN-WALL FIXTURE/LUMINAIRE APPLICATION**



**WARNING:**

1. nVent products shall be installed and used only as indicated in nVent product instruction sheets and training materials. Instruction sheets are available at [www.nVent.com](http://www.nVent.com) and from your nVent customer service representative.
2. nVent products must never be used for a purpose other than the purpose for which they were designed or in a manner that exceeds specified load ratings.
3. All instructions must be completely followed to ensure proper and safe installation and performance.
4. Improper installation, misuse, misapplication or other failure to completely follow nVent's instructions and warnings may cause product malfunction, property damage, serious bodily injury and/or death, and void your warranty.
5. Products that are manufactured using spring steel components shall be used only in a non-corrosive indoor environment.
6. All pipe supports, hangers, intermediate components and structural attachments must ONLY be used as described herein and are NEVER to be used for any other purpose.

NOTE: All load ratings are for static conditions and do not account for dynamic loading such as wind, water or seismic loads, unless otherwise noted.

The customer is responsible for:

- a. Conformance to all governing codes.
- b. The integrity of structures to which the products are attached, including their capability of safely accepting the loads imposed, as evaluated by a qualified engineer.
- c. Using appropriate industry standard hardware as noted above.

**SAFETY INSTRUCTIONS:**

All governing codes and regulations and those required by the job site must be observed. Always use appropriate safety equipment such as eye protection, hard hat, and gloves as appropriate to the application.

nVent, nVent CADDY, nVent ERICO Cadweld, nVent ERICO Critec, nVent ERICO, nVent ERIFLEX, and nVent LENTON are owned by nVent or its global affiliates. All other trademarks are the property of their respective owners. nVent reserves the right to change specifications without prior notice.

TECHNICAL SUPPORT:  
[www.nVent.com](http://www.nVent.com)

89231127\_A

1 OF 4

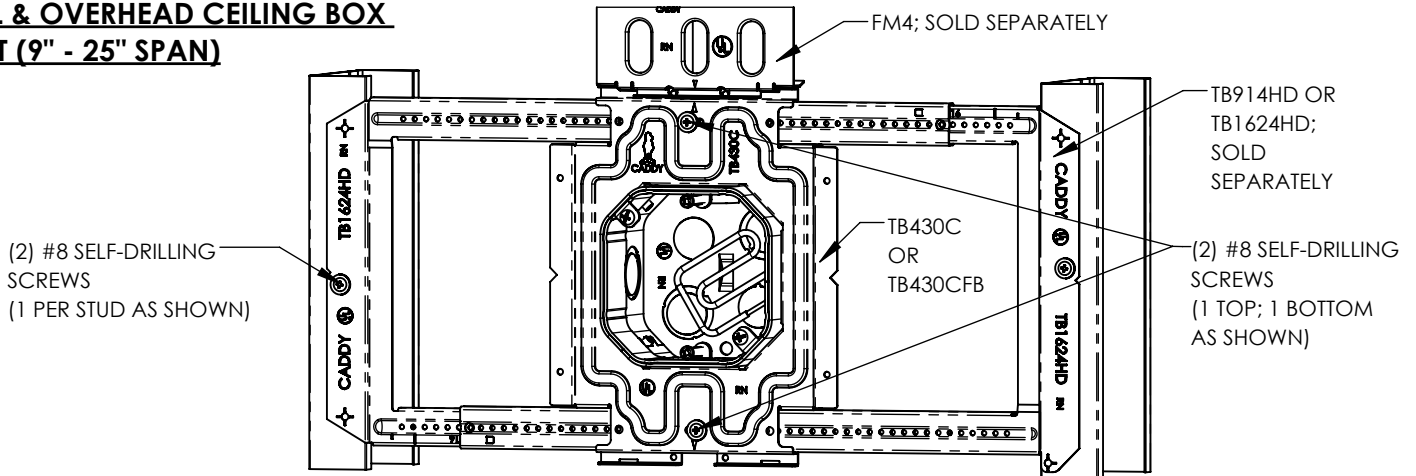
© 2023 nVent All Rights Reserved



**9" - 17" SPAN, UL514A OVERHEAD CEILING FIXTURE/LUMINAIRE APPLICATION**

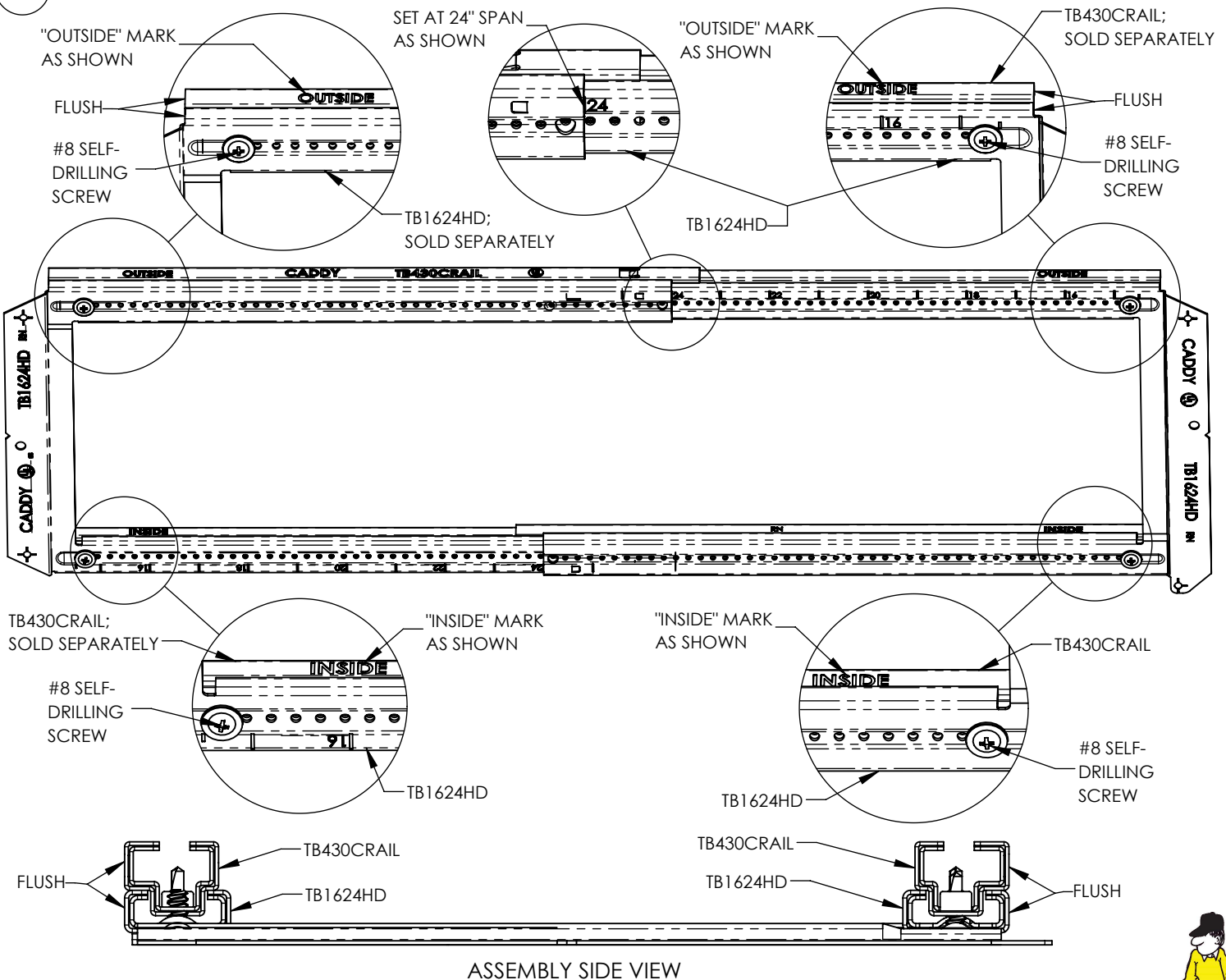
&

**IN-WALL & OVERHEAD CEILING BOX SUPPORT (9" - 25" SPAN)**



**OVER 17" - 25" SPAN, IN-WALL & OVERHEAD CEILING UL514A FIXTURE/LUMINAIRE APPLICATIONS**

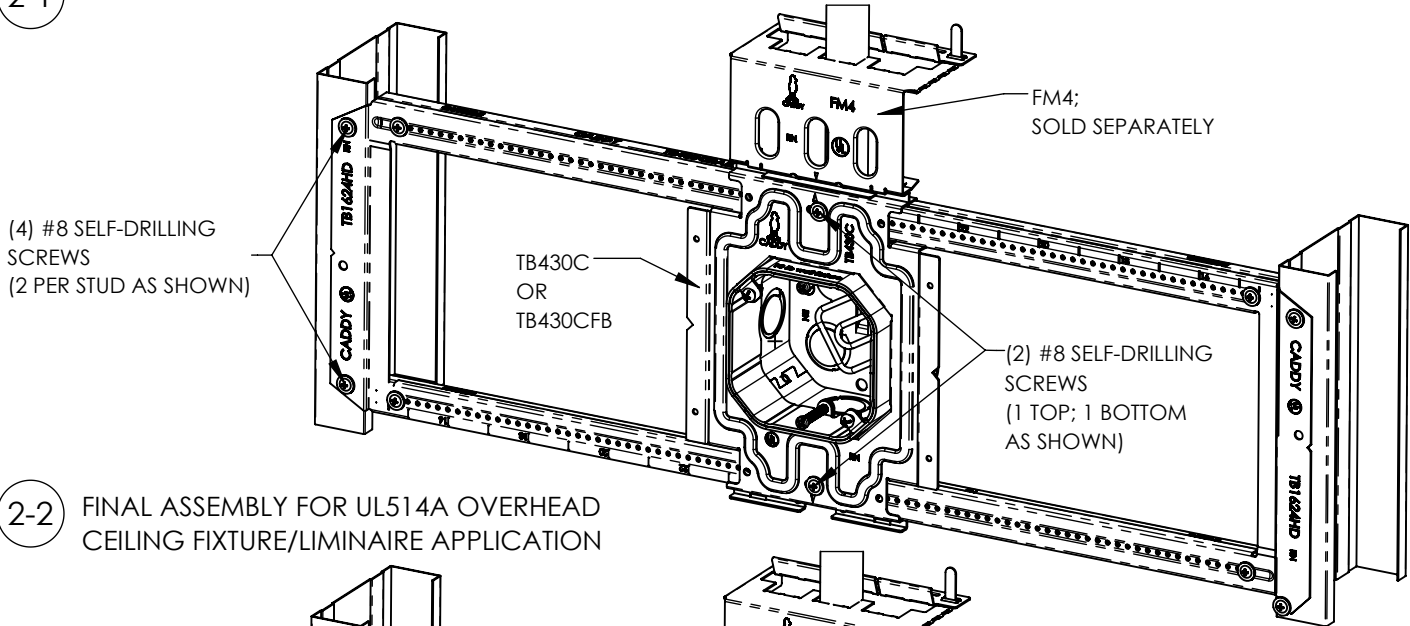
1 ASSEMBLE TWO TB430CRAIL PARTS ONTO TB1624HD BY USING FOUR #8 SELF-DRILLING SCREWS



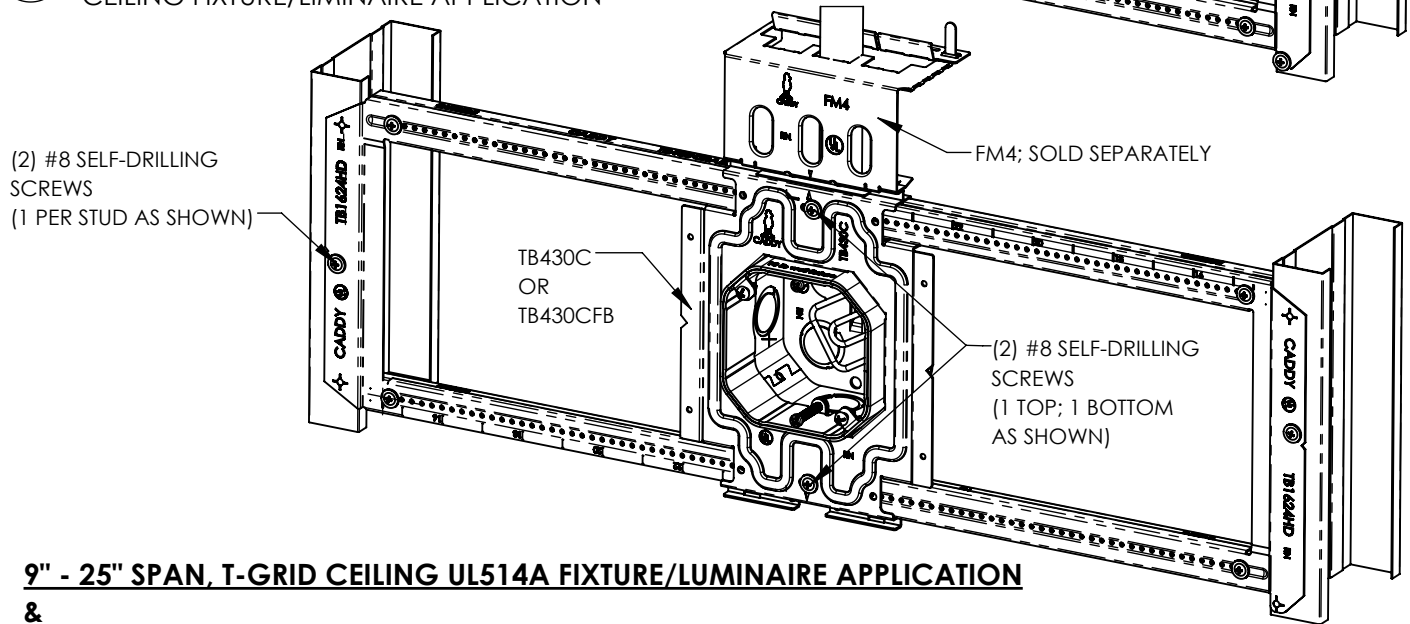
ASSEMBLY SIDE VIEW

nVent, nVent CADDY, nVent ERICO Cadweld, nVent ERICO Critec, nVent ERICO, nVent ERIFLEX, and nVent LENTON are owned by nVent or its global affiliates. All other trademarks are the property of their respective owners. nVent reserves the right to change specifications without prior notice.

2-1 FINAL ASSEMBLY FOR UL514A IN-WALL FIXTURE/LIMINAIRE APPLICATION

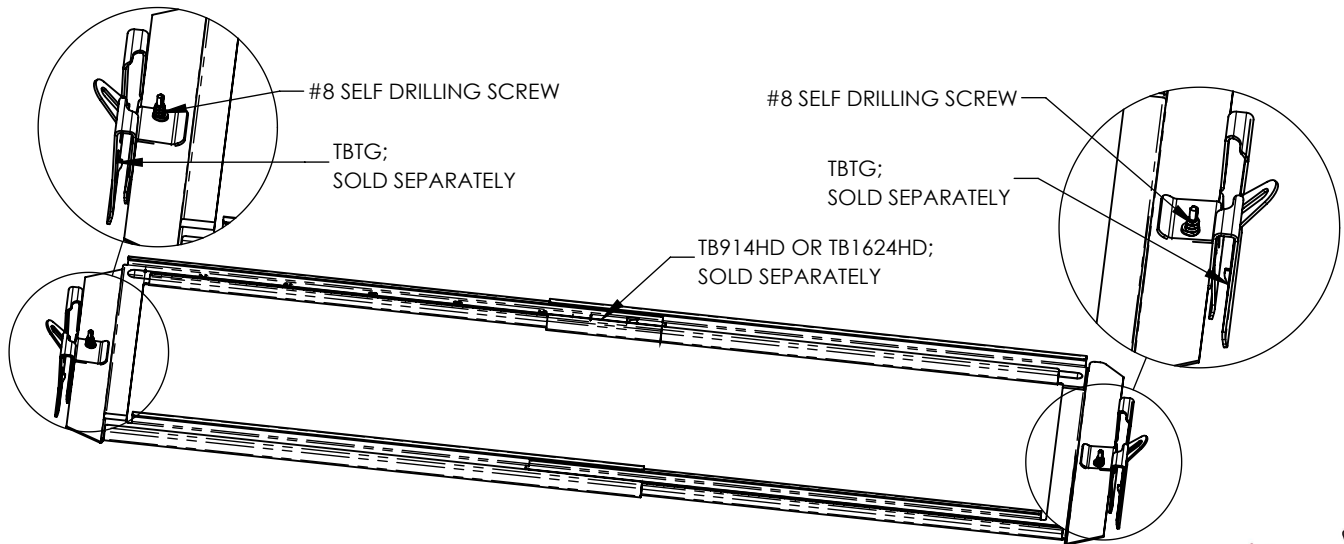


2-2 FINAL ASSEMBLY FOR UL514A OVERHEAD CEILING FIXTURE/LIMINAIRE APPLICATION

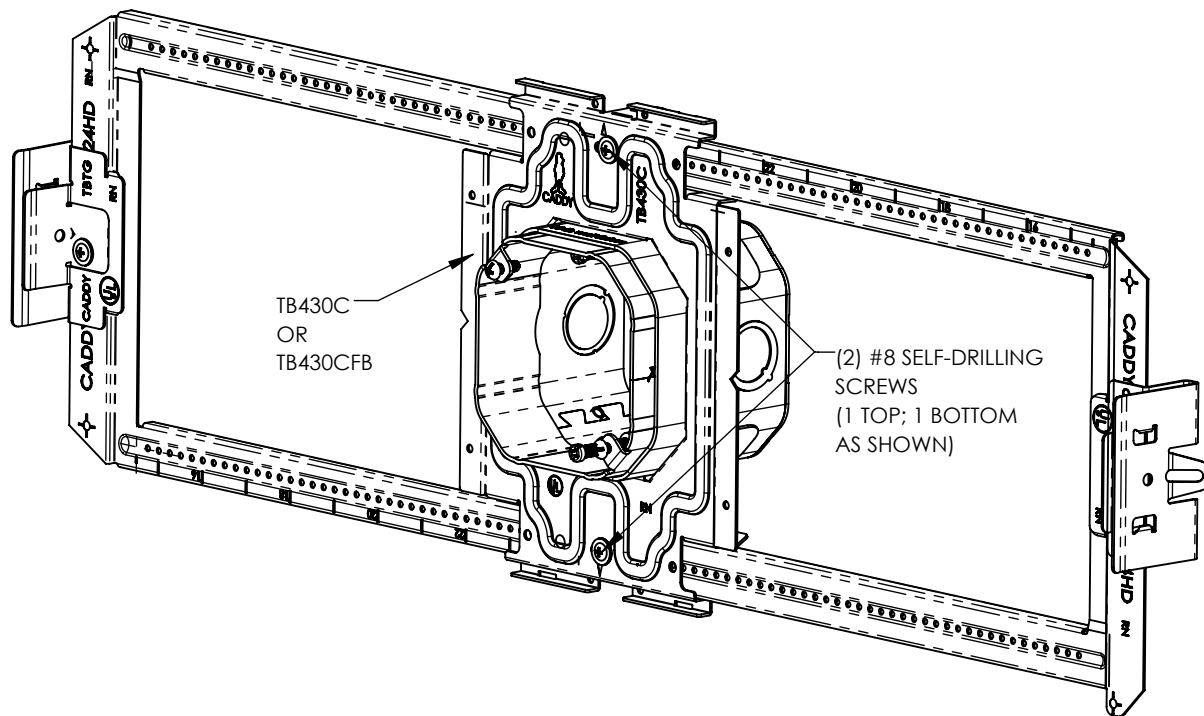


**9" - 25" SPAN, T-GRID CEILING UL514A FIXTURE/LUMINAIRE APPLICATION & T-GRID CEILING BOX SUPPORT (9" - 25" SPAN)**

1 ASSEMBLE TWO TBTG PARTS ON TB1624HD OR TB914HD BY USING TWO #8 SELF-DRILLING SCREWS



2 ASSEMBLE TB430C OR TB430CFB ONTO TB1624HD OR TB914HD BY USING TWO #8 SELF-DRILLING SCREWS



3 FINAL ASSEMBLY

