
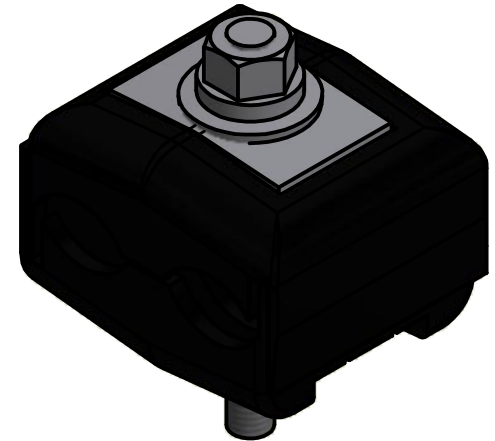
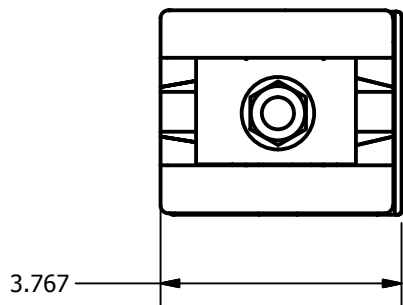
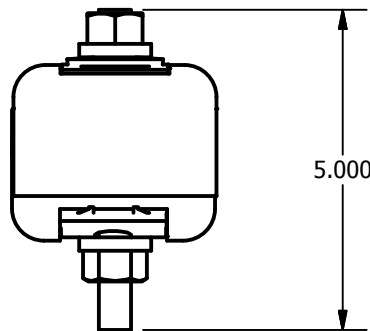
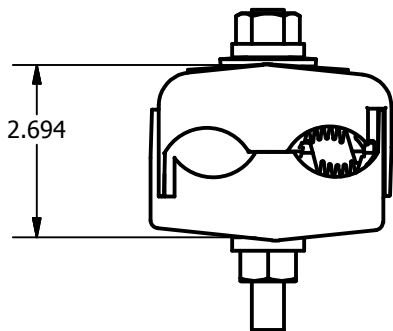
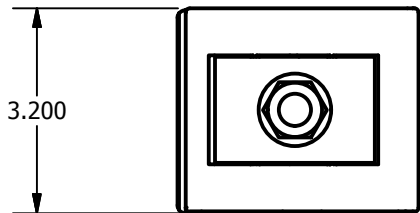


SCREW: 130139	MATERIAL: SEE NOTES 1 & 2	REV: J		
CAT. NO.: IPC-500-500, IPC-500-500-B	PLATING: NONE	DRAWN BY: CLH	SCALE: 1:3	800-776-9775 www.ilsco.com
INFORMATION SHEET: FORM 73	MARKING: NONE	DATE: 8/15/2007	SIZE: A	DWG. NO. K0427
				SHEET: 1 OF 1



SCALE 1 / 2

NOTES:

1. NYLON BODY
2. TIN PLATED COPPER TEETH
3. WIRE RANGE: MAIN- 500kcmil - 300kcmil
TAP- 500kcmil - 250kcmil