

Midsize Single-Gang Wallplate, Telephone and Video

APPLICATION

Leviton's Midsize Single-Gang Wallplates are ideal where flush mount telephone or video connection plates are needed. Midsize plates are 3/8" taller and wider than standard plates to help disguise irregular or oversized wall openings, resulting in a neat, professional finish. Durable video connection wallplates are available with a nickel-plated female-to-female 75 Ω F-Connector, telephone wallplates with 6P4C voice grade connector and combination video and telephone wallplates are also available.

DESIGN CONSIDERATIONS

- 3/8" larger than standard size wallplates to conceal irregular wall openings
- Mounts to single-gang backboxes or four-square boxes with appropriate user-provided reducer
- Smooth finish matches Leviton's existing Midway Wallplates for a consistent look throughout the home or business
- Includes mounting hardware with color matched wallplate screws.
- Available as a single gang wallplate with an F-Connector Coupler, with a 6P4C telephone connector, or with a combination F-Connector Coupler and 6P4C telephone connector

STANDARDS COMPLIANCE

- cULus listed
- FCC part 68.
- ANSI/SCTE (F-Connector)

PHYSICAL SPECIFICATIONS

Dimensions: See page 2
 Color: White, light almond, ivory, brown
 Materials: High-impact, fire-retardant nylon

COUNTRY OF ORIGIN

40539-CMx: US
 40539-PMx: US
 40539-OMx: Taiwan

WARRANTY INFORMATION

For a copy of Leviton product warranties, visit www.leviton.com/warranty.

ELECTRONIC FILES

For CAD files, typical specs, or technical drawings (.DXF, .DWG), visit www.leviton.com.



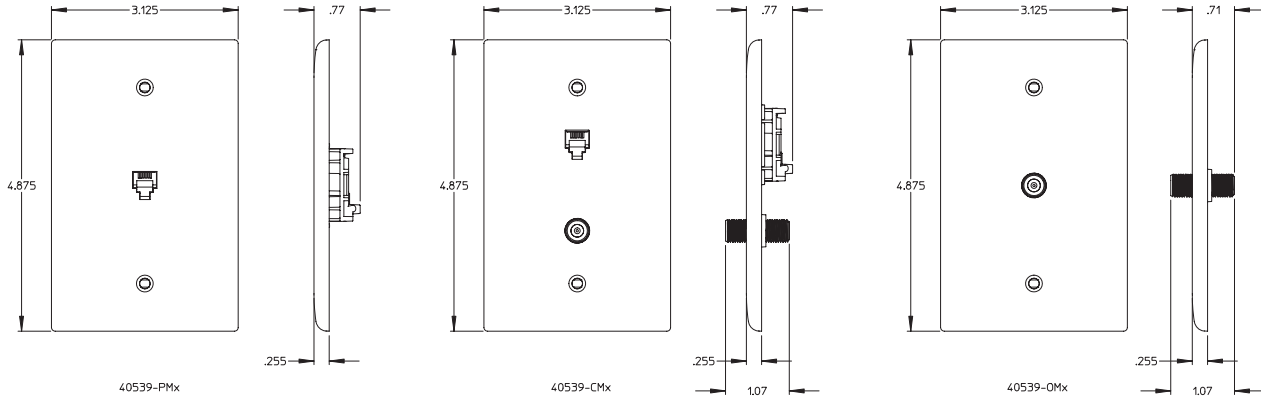
40539-PMW

40539-CMW

40539-OMW

SPECIFICATION

The Leviton Midsize Single Gang Wallplate shall meet all applicable standards. The wallplate shall be available with an F-Connector Coupler, with a 6P4C telephone connector, or with a combination F-Connector Coupler and 6P4C telephone connector. The wallplate shall support standard NEMA wallboxes or low-voltage box eliminators. The F-Connector Coupler shall support all video applications and support frequencies up to 3GHz. The 6P4C connector shall utilize a lead-frame design and provide four screw terminals for easy termination. USOC Terminal designation shall be molded into the connector.



40539-XXM

PART NUMBERS

Description	WHITE	LT. ALMOND	IVORY	BROWN
Midsize Single-Gang Video Wallplate with F-Connector	40539-0MW	40539-0MT	40539-0MI	40539-0MB
Midsize Single-Gang Telephone Wallplate with 6P4C Voice Grade Connector	40539-PMW	40539-PMT	40539-PMI	40539-PMB
Midsize Single-Gang Telephone & Video Wallplate with 6P4C Voice Grade Connector and F-Connector	40539-CMW	40539-CMT	40539-PMI	40539-CMB



Leviton Network Solutions
2222 - 222nd St. SE
Bothell, WA 98021-4416

Asia / Pacific
T +1.631.812.6228
E infoasean@leviton.com

Canada
T +1.514.954.1840
E pcservice@leviton.com

Caribbean
T +1.954.593.1896
E infocaribbean@leviton.com

China
T +852.2774.9876
E infochina@leviton.com

Colombia
T +57.1.743.6045
E infocolombia@leviton.com

tel 1-800-824-3005
tel +1-425-486-2222
appeng@leviton.com
www.leviton.com

Europe
T +44.0.1592.772124
E customerserviceeu@leviton.com

Mexico
T +52.55.5082.1040
E lsamarketing@leviton.com

Middle East & Africa
T +971.4.247.9800
E lmeinfo@leviton.com

South Korea
T +82.2.3273.9963
E infokorea@leviton.com