
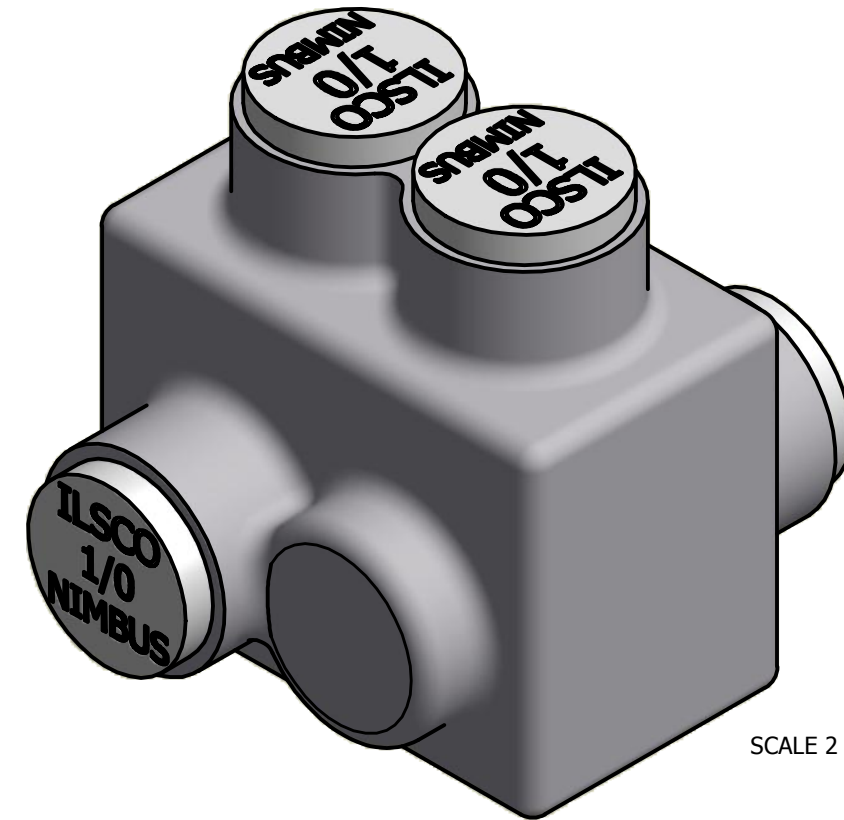
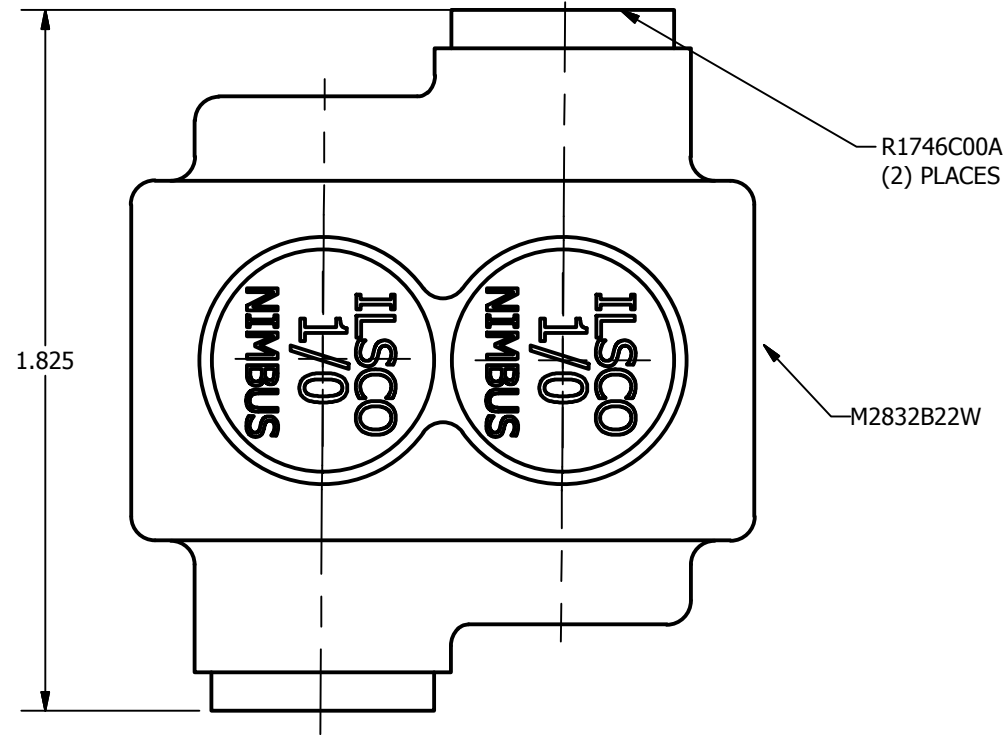


SCREW: E1376	MATERIAL: NONE	REV: K	 800-776-9775 www.ilSCO.com
CAT. NO.: PBTO-1/0	PLATING: NONE	DRAWN BY: CLH SCALE:	
INFORMATION SHEET: FORM 106	MARKING: NONE	DATE: 1/28/2008 SIZE: B	
			DWG NO: M2832
			SHEET: 1 OF 1



SCALE 2 : 1

