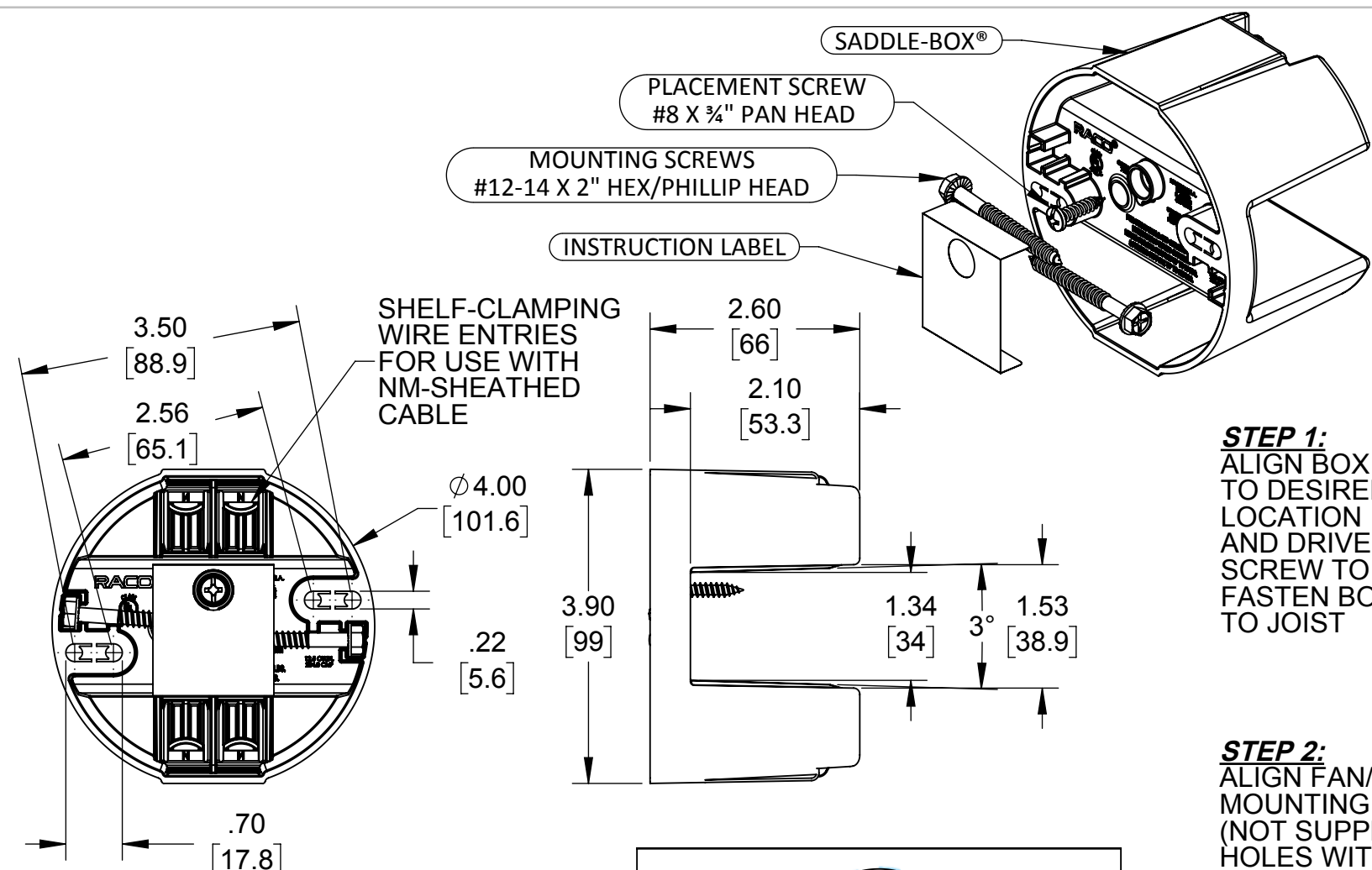


LIST OF PARTS

DESCRIPTION	MATERIAL	FINISH
SADDLE-BOX®	POLYCARBONATE	BLACK
PLACEMENT SCREW	STEEL	ZINC
MOUNTING SCREW	STEEL	ZINC
INSTRUCTION LABEL	POLYPROPYLENE	N/A

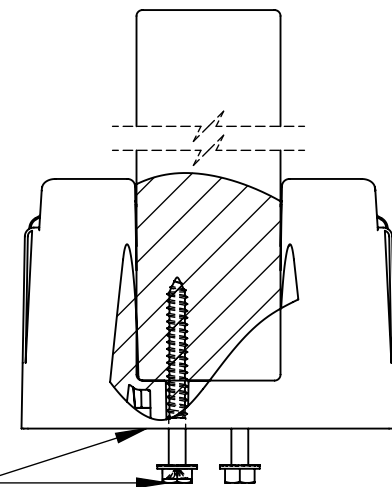
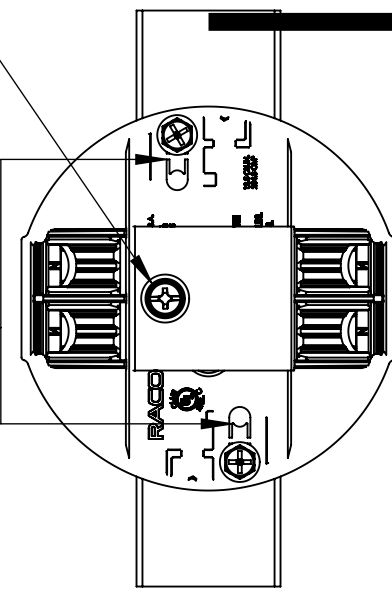
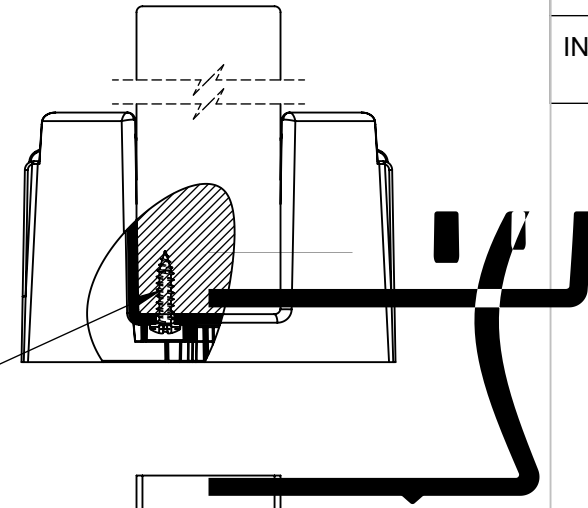
STEP VIEWS HAVE NO ORIENTATION TO EACH OTHER



STEP 1:
ALIGN BOX TO DESIRED LOCATION AND DRIVE SCREW TO FASTEN BOX TO JOIST

STEP 2:
ALIGN FAN/FIXTURE MOUNTING BRACKET (NOT SUPPLIED) HOLES WITH HOLES IN SADDLE-BOX®; MARK AND PRE-DRILL USING 1/8" DRILL BIT

STEP 3:
ALIGN FAN/FIXTURE BRACKET (NOT SUPPLIED) HOLES, SADDLE-BOX® HOLES, AND PRE-DRILLED HOLES; SECURE TIGHTLY WITH SUPPLIED MOUNTING SCREWS



1) Poke bit thru label here →

2) Drive screw to fasten box to joist.

3) Drill 1/8" pilot holes in joist through outer holes in box.

4) Pull wires into box.

5) Secure fan/fixture with screws supplied.

Made in U.S.A

0 50169 07120 5

INSTRUCTION VIEW
SCALE: 2:1

- NOTES:**
1. ALL DIMENSIONS ARE IN INCHES AND [MILLIMETERS]
 2. BOX VOLUME: 12.5 IN³ [204.1 CM³]
 3. SUITABLE FOR FIXTURE WEIGHT UP TO 210 LBS [95.25 KG]; SUITABLE FOR FAN WEIGHT UP TO 70 LBS [31.75 KG]
 4. ACCEPTS 14-2 AWG THROUGH 10-3 AWG
 5. UL® LISTED

INITIAL RELEASE	N.S.	10/26/2015
SYM.	REVISION DESCRIPTION	APP DATE

THE DESIGN AND DIMENSIONS OF THE PRODUCT SHOWN ON THIS DRAWING ARE SUBJECT TO CHANGE WITHOUT NOTICE

TITLE: **SADDLE-BOX®: 4" ROUND NON-METALIC CEILING FAN/FIXTURE BOX**

TOLERANCE UNLESS OTHERWISE SPECIFIED		<p>RACO South Bend, Indiana</p>	<p>SCALE: B</p>
.XX DECIMAL ±.015	DRAWN BY: J.R.		
.XXX DECIMAL ±.005	APP. BY: N.S.		
ANGLE ±2°	DATE: 10/26/2015		