
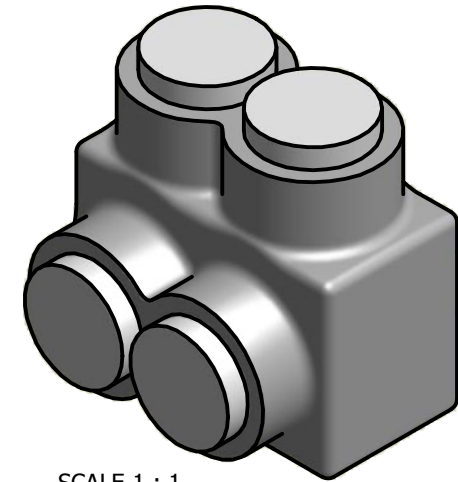
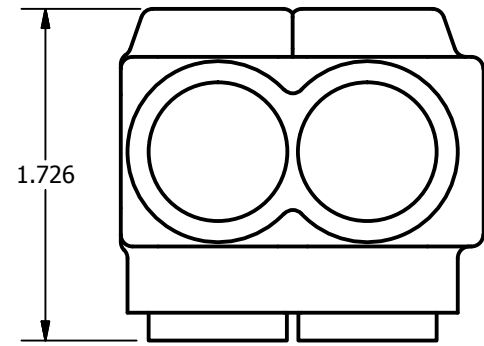
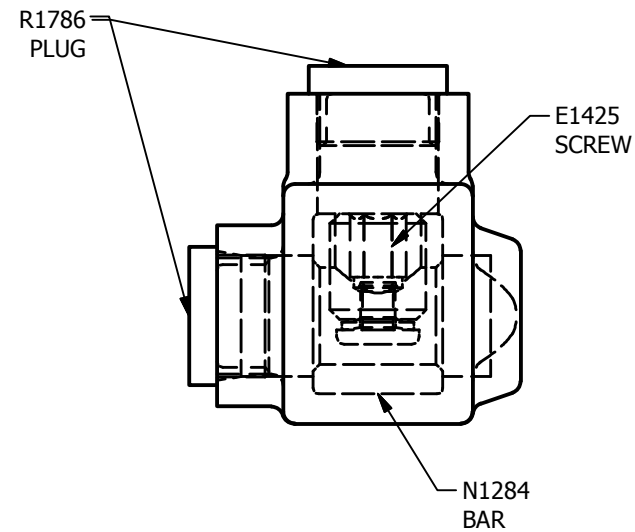
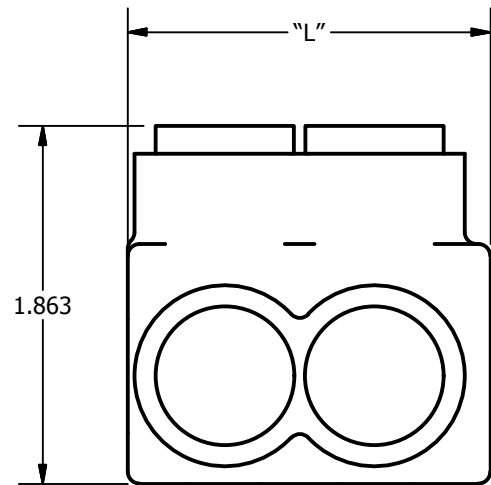


| | | | |
|-----------------------------|----------------|-------------------------|--|
| SCREW: E1425 | MATERIAL: NONE | REV: E |  800-776-9775 www.ilSCO.com |
| CAT. NO.: SEE CHART | PLATING: NONE | DRAWN BY: CLH SCALE: | |
| INFORMATION SHEET: FORM 167 | MARKING: NONE | DATE: 7/15/2008 SIZE: B | |
| | | | DWG NO: M2920 |
| | | | SHEET: 1 OF 1 |



SCALE 1 : 1



| CATALOG # | "L" | # OF SCREW PORTS |
|---------------|--------|------------------|
| PBTS-2-3/0-F | 1.889 | 2 |
| PBTS-3-3/0-F | 2.654 | 3 |
| PBTS-4-3/0-F | 3.419 | 4 |
| PBTS-5-3/0-F | 4.184 | 5 |
| PBTS-6-3/0-F | 4.949 | 6 |
| PBTS-7-3/0-F | 5.714 | 7 |
| PBTS-8-3/0-F | 6.479 | 8 |
| PBTS-9-3/0-F | 7.244 | 9 |
| PBTS-10-3/0-F | 8.009 | 10 |
| PBTS-11-3/0-F | 8.774 | 11 |
| PBTS-12-3/0-F | 9.539 | 12 |
| PBTS-13-3/0-F | 10.304 | 13 |
| PBTS-14-3/0-F | 11.069 | 14 |