

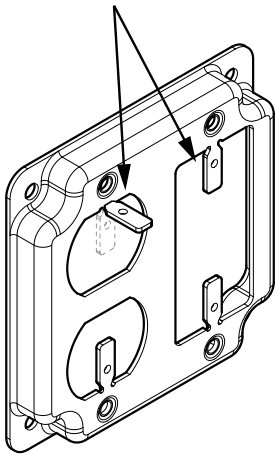


INSTRUCTION SHEET

Assembling RACO Crushed Corners Covers

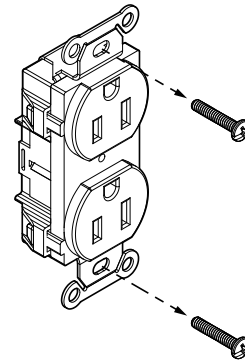
STEP 1

If your cover includes the threaded break off tabs, remove them with pliers.



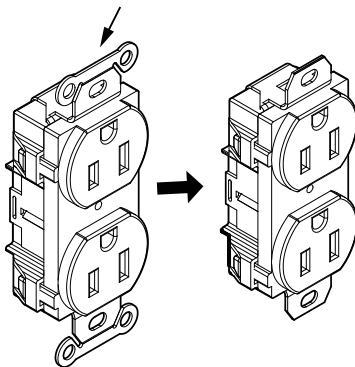
STEP 2

Remove and retain the mounting screws included with the device. These screws will be used to secure the device to the cover.



STEP 3

Prepare the device for mounting by removing the ears from the mounting strap or yoke by bending back and forth a few times at the perforation. For most receptacles also remove the ends of the strap at the perforation.



Note: If you do not see the perforation it might be necessary to snip the pieces off with a cutting tool. Avoid removing too much strap to maintain the integrity of the device mounting holes.

STEP 4

Wire the device or devices per manufacturer instructions.

STEP 5

Secure the device to the cover using the device mounting screws. The threaded tabs wedge against the edge of the cover allowing for a tight connection without holding a nut.

