

Project		Catalog #		Type	
Prepared by		Notes		Date	



# HALO

## SLDSL6 Series

6" Surface LED Downlight  
SeleCCTable color temperature

**Typical Applications**  
Residential

### Interactive Menu

- Order Information [page 2](#)
- Product Specification [page 4](#)
- Photometric Data [page 5](#)
- Product Warranty

### Product Certification



Refer to ENERGY STAR® Certified Products List.  
Can be used to comply with California Title 24 High Efficacy requirements.  
Certified to California Appliance Efficiency Database under JAB.

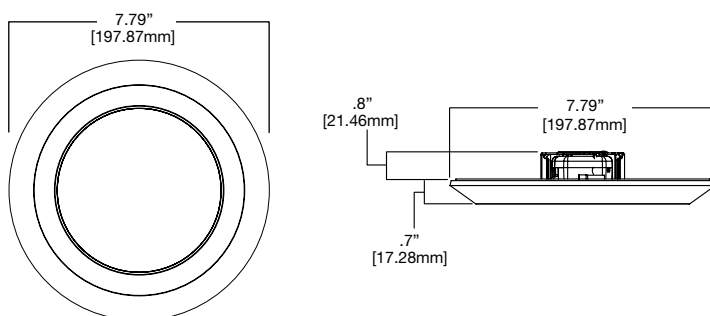
### Product Features



### Top Product Features

- Ultra-low profile surface luminaire with wide distribution
- Ceiling mounting in compatible junction boxes
- Retrofit 6" recessed downlights with screwbase adapter (sold separate)
- 2700K, 3000K, 3500K, 4000K and 5000K field selectable CCT; 90 CRI
- Dimmable with 120V dimmer

### Dimensional and Mounting Details



## Order Information

SAMPLE NUMBER: **SLDSL6069S1EMWR** = 6" Surface Mount LED Downlight, 90CRI, Selectable CCT, Matte White

**Junction Box Installation:** Order junction box separately, as supplied by others, to complete installation.

**Recessed Installation:** Order HALO recessed housing and SLDACCKIT separately to complete installation.

Models	Lumens	CRI / CCT	Driver	Finish	Packaging
SLDSL6 = 6" Surface LED Downlight, 120V	06 = 600 lumen series	9S = 90 CRI minimum, field selectable 2700K, 3000K, 3500K, 4000K or 5000K CCT	1E = 120V 60Hz, LE & TE phase cut 5% dimming	MW = Matte White	R = recyclable 4-color unit carton suitable for point of purchase merchandising display
Notes	Notes	Notes	Notes	Notes	Notes

### Accessories

#### Accessories

##### Designer Trims

Fit over the SLDSL6 for a designer finish

- SLD6TRMSN=6" SLD Satin Nickel
- SLD6TRMTBZ=6" SLD Tuscan Bronze
- SLD6TRMWH=6" SLD White (paintable)

##### J-Box Spacer Extension Ring

Add 15/16" depth when SLD driver cannot fit into installed junction box

- SLD6EXT=6" Surface LED J-Box Extender, 9.5" O.D.

##### RAD Adapters

When junction box is mounted flat on a ceiling or beam surface (not recessed in ceiling)

- SLD6RAD=6" SLD Round Surface J-Box Adapter, 7.92" O.D. (For 4-inch round or octagon junction boxes)

##### Spare Parts

- SLDACCKIT=SLD Accessory Parts Replacement Kit (Screwbase adapter, torsion springs, friction blades)
- SLD6BRKT=6" Junction Box Bracket & Screws

Refer to SLD Accessories specification sheet for further information.

Notes

## Accessories (Order Separately)

### Designer Trims



SLD6TRMSN  
Satin Nickel



SLD6TRMTBZ  
Tuscan Bronze



SLD6TRMWH  
White (Paintable)

### J-box Spacer Extension Ring

#### SLD6EXT

6" Surface LED Space Ring



### RAD Adapter

#### SLD6RAD

6" SLD Round Surface J-box Adapter  
For 4" round and octagon junction boxes.



## Junction Box Compatibility



**4" octagon steel box**  
4" x 4" x 1-1/2"  
(102mm x 102mm x 38mm)



**4" square standard steel box**  
4" x 4" x 1-1/2"  
(102mm x 102mm x 38mm)



**4" octagon light fixture/fan steel box**  
4" x 4" x 2-1/8"  
(102mm x 102mm x 54mm)



**4" square deep steel box**  
4" x 4" x 2-1/8"  
(102mm x 102mm x 54mm)



**TP316**  
for non-metallic cable  
4" x 4" x 2-1/8"  
(102mm x 102mm x 54mm)



**TP317**  
for metal clad cable  
4" x 4" x 2-1/8"  
(102mm x 102mm x 54mm)



**4" round new work non-metallic light fixture/fan box**  
4" diameter x 2-3/16"  
(102mm x 56mm)



**3-1/2" round new work non-metallic ceiling box**  
3-1/2" diameter x 2-3/4"  
(89mm x 70mm)



**3-1/2" round old work non-metallic box**  
4-1/4" O.D. flange, 3-1/2" I.D. x 2-5/8"  
(108mm O.D., 89mm I.D. x 67mm)



**4" round new work non-metallic box with hanger bar assembly**  
4" diameter x 2-3/16"  
(102mm x 56mm)



**4" round surface mount box**  
4" diameter x 1-1/2"  
(102mm x 38mm)  
Requires SLD4RAD adapter

\*This is a representative list of compatible junction boxes only. Information contained in this literature about other manufacturers' products is from published information made available by the manufacturer and is deemed to be reliable, but has not been verified. Cooper Lighting Solutions makes no specific recommendation on product selection and there are no warranties of performance or compatibility implied. Installer must determine that site conditions are suitable to allow proper installation of the mounting bracket in the box.

## Product Specifications

### Construction

- Die cast aluminum trim ring, and die formed aluminum frame

### Optics

- Light guide provides uniform luminance from a low profile flat lens
- Directional control for the “cone-of-light” beam distribution of a traditional downlight.
- Precision molded lens features high transmission polymer with UV stabilized protecting film

### Designer Trims

#### Accessories (sold separately)

- SLD designer trims are accessory rings that attach to the SLD for a permanent finish. Refer to SLD accessories specification sheet for details.
  - White (Paintable)
  - Satin Nickel
  - Tuscan Bronze

### Electrical Junction Box Mounting

- SLD may be used in compatible electrical junction boxes in direct contact with insulation including spray foam insulation
- Suitable for installation in many 3-1/2” and 4” square, octagon, and round electrical junction boxes
  - Note:** Driver consumes 3 cubic inches of junction box
- Installer must ensure compatibility of fit, wiring and proper mounting in the electrical junction box. This includes all applicable national and local electrical and building codes
- Proprietary Slot-N-Lock quick installation system for junction box installation
- T-bracket with Slot-N-Lock mounting tabs included

### LED

- Trilateral linear LED assembly is integrated in trim perimeter
- Field selectable color temperature; select 2700K, 3000K, 3500K, 4000K or 5000K CCT
- 90 CRI can be used for California Title 24 compliance/certified to Title 20
- L70 at 50,000 hours projected in accordance with TM-21

### LED Chromaticity

- A tight chromaticity specification ensures LED color uniformity, sustainable Color Rendering Index (CRI) and Correlated Color Temperature (CCT) over the useful life of the LED
- LED chromaticity of 3 SDCM exceeds ENERGY STAR® color standards per ANSI.
- 90 CRI model features high color performance with R9 greater than 50
- Every Halo LED is quality tested, measured, and serialized in a permanent record to register lumens, wattage, CRI and CCT.
- Halo LED serialized testing and measurement ensures color and lumen consistency on a per-unit basis, and validates long-term product consistency over time

### Electrical Connections

#### Junction Box

- Compatible with 3-1/2” x 2” and 4” x 1-1/2” deep round, square and octagon boxes (2-1/8” deep boxes recommended)
- Supply Wire Adapter with LED quick connector included

### LED Driver

- Driver is a 120V input, high efficiency, dimmable electronic power supply providing DC power to the LED array
- Driver features high power factor, low THD, and has integral thermal protection in the event of over temperature or internal failure
- Driver is replaceable if it should be required

### Dimming

- Designed for continuous dimming capability to nominally 5% with many 120V Leading Edge (LE) and Trailing Edge (TE) phase control dimmers.
- Dimming to 5% is best assured using dimmers with low end trim adjustment.
- Consult dimmer manufacturer for compatibility and conditions of use.
  - Note:** Some dimmers require a neutral in the wallbox.

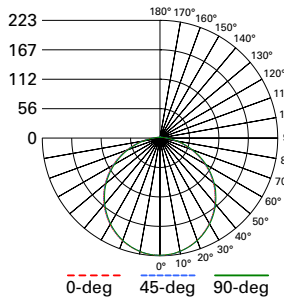
### Compliance

- UL Certified for use in US and Canada
- UL Certified Damp and Wet Location listed.
- Suitable for use in closets, compliant with NFPA® 70, NEC® Section 410.16 (A)(3) and 410.16 (C)(5)
- SLD may be used in compatible electrical junction boxes in direct contact with insulation including spray foam insulation
- May be installed in IC recessed housings in direct contact with insulation (Not for use in recessed housings in direct contact with spray foam insulation. Refer to NEMA LSD 57-2013)
- UL Classified when used in retrofit with listed housings (See Housing Compatibility)
- EMI/RFI: meets FCC 47CFR Part 15 Class B limits, and is suitable for use in residential and commercial installations
- Airtight certified per ASTM E283 (not exceeding 2.0 CFM under 57 Pascals pressure difference)
- 90 CRI: Can be used to comply with California Title 24 High Efficacy requirements.
- Can be used for International Energy Conservation Code (IECC) and Washington State Energy Code high efficiency luminaire compliance
- ENERGY STAR® certified luminaire - consult ENERGY STAR® Certified Product List
- Contains no mercury or lead and RoHS compliant.
- Photometric testing in accordance with IES LM-79
- Lumen maintenance projections in accordance with IES LM-80 and TM-21

### Warranty

- Five-year limited warranty [www.cooperlighting.com/legal](http://www.cooperlighting.com/legal)

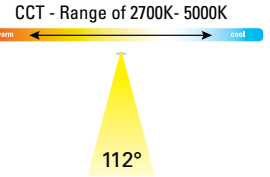
## Photometric Data



**SLDSL6069S1EMWR-3000K**  
 Spacing criterion: (0-180) 1.26  
 (90-270) 1.26  
 (Diagonal) 1.38  
 Beam Angle: 112°  
 Field Angle: 162°  
 Lumens: 635  
 Input Watts: 8.7 W  
 Efficacy: 73 LPW  
 Test Report:  
 SLDSL6069S1EMWR-3000K.ies

Zonal Lumen	Lumens	% Lumens
0-30	173.4	27.3
0-40	283.2	44.6
0-60	501.7	79
0-90	635.0	100

TM-30-15	Rf = 94.3
	Rg = 100
CRI/CIE	Ra = 96.1
	R9 = 69.4



SLDSL6069S1EMWR	CCT	Lumens	Power (W)	LPW
Field Selectable CCT	2700K	626	8.6	72.8
	3000K	635	8.7	73.0
	3500K	646	8.7	74.3
	4000K	656	8.7	75.4
	5000K	669	8.6	77.8

### SLDSL6069S1EMWR - 3000K

**PRODUCT SPECIFICATIONS**

<b>Lumens</b>	<b>635</b>
<b>Watts</b>	<b>8.5</b>
<b>Lumens Per Watt (Efficacy)</b>	<b>74.7</b>
<b>Color Accuracy (CRI)</b>	<b>95</b>
<b>Light Color (CCT)</b> <small>Correlated Color Temperature (CCT)</small>	<b>3000K</b>
<small>warm white</small>	<small>soft white</small>
<small>2700K</small>	<small>3000K</small>
<small>4500K</small>	<small>6500K</small>