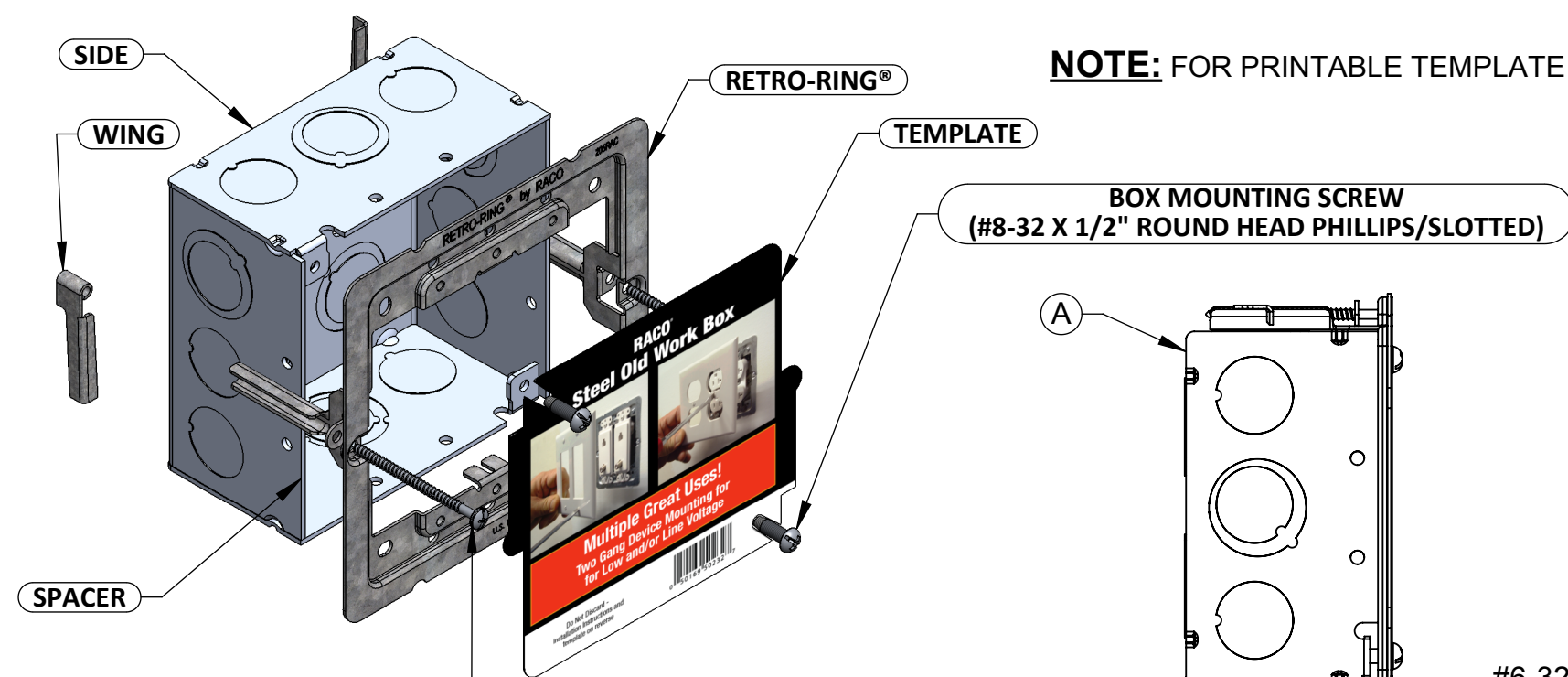


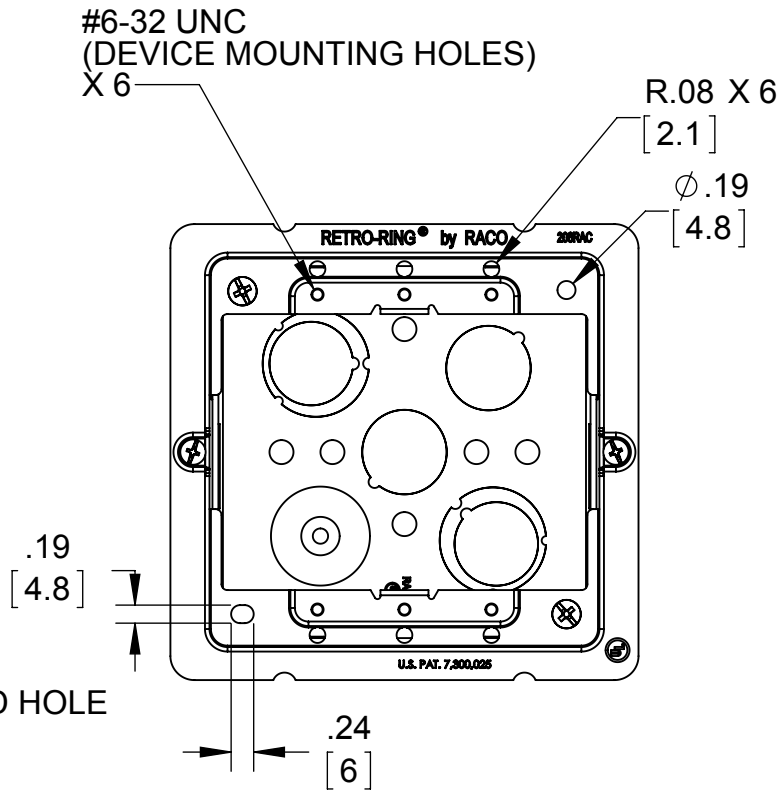
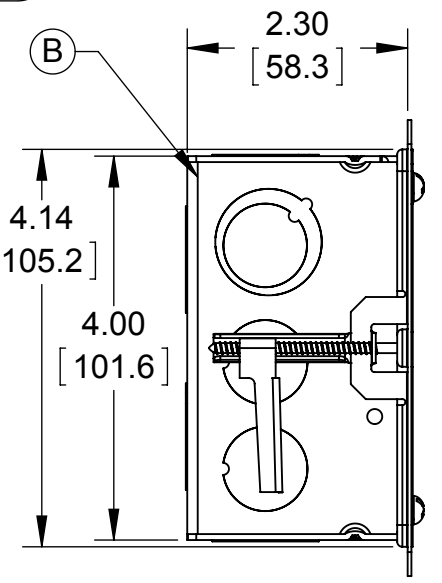
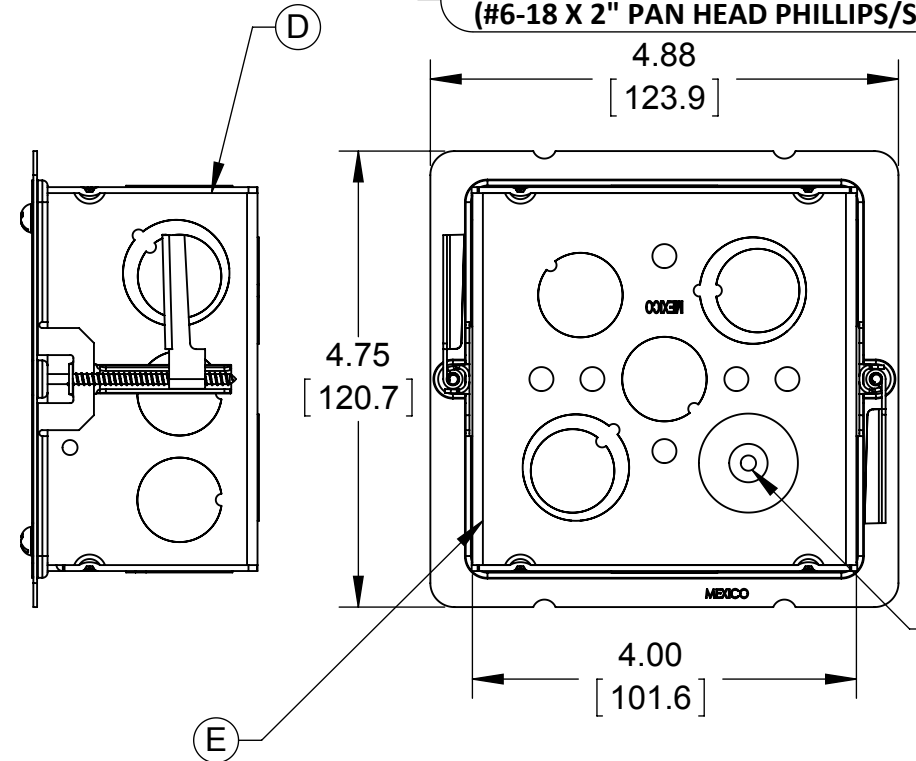
LIST OF PARTS

DESCRIPTION	MATERIAL	FINISH
BOX MOUNTING SCREW	STEEL	GALVANIZED
TEMPLATE	PAPER	PRINTED
RETRO-RING®	STEEL	GALVANIZED
SIDE	STEEL	GALVANIZED
SPACER	STEEL	GALVANIZED
WING	STEEL	GALVANIZED
WING SCREW	STEEL	GALVANIZED

NOTE: FOR PRINTABLE TEMPLATE SCROLL DOWN TO NEXT SHEET



WING SCREW (#6-18 X 2" PAN HEAD PHILLIPS/SLOTTED)



- NOTES:**
1. ALL DIMENSIONS ARE IN INCHES AND [MILLIMETERS]
 2. BOX VOLUME: 30.3 IN³ [496.5 CM³]
 3. UL LISTED
 4. U.S. PATENT 7,300,025

KNOCKOUTS		
TRADE SIZE	LOCATION	QTY.
(1/2"-3/4") TKO®	A, B, C, D	1
(1/2"-3/4") TKO®	E	2
1/2" KO	A, B, C, D, E	2

INITIAL RELEASE	N.S.	N.S.	
SYM.	REVISION DESCRIPTION	APP	DATE
THE DESIGN AND DIMENSIONS OF THE PRODUCT SHOWN ON THIS DRAWING ARE SUBJECT TO CHANGE WITHOUT NOTICE			
TITLE: RAISED GROUND, OLD WORK, 4" SQUARE BOX MOUNTING KIT FOR ONE AND/OR TWO DEVICES			

RACO
South Bend, Indiana

DRAWN BY:	J.R.	SCALE:	1:2
APP. BY:	N.S.		
DATE:	09/24/2015		

TOLERANCE UNLESS OTHERWISE SPECIFIED
.XX DECIMAL ±.015
.XXX DECIMAL ±.005
ANGLE ±2°

PRINTABLE TEMPLATE: MUST BE MEASURED BEFORE USE!!!
SHEET SIZE 11" X 8.5"; SCALE 100%

RACO[®]
Steel Old Work Box



Multiple Great Uses!
Two Gang Device Mounting for
for Low and/or Line Voltage


Do Not Discard -
Installation Instructions and
template on reverse




4.14
[105.2]

Steel Old Work Box Assembly
Installation Instructions for 232-OW

- Step 1. Disconnect power supply.
- Step 2. Using a pencil, transfer the shape of this template onto wall in desired location. Keep sides of template at least 1-1/2" from edge of studs. **Template is positioned correctly if this side is facing you.**
- Step 3. Saw along the outline using a drywall saw to create an opening in the wall.
- Step 4. Remove box knockout(s) necessary to complete the desired installation. Connect conduit or cable to the box through the knockout(s).
- Step 5. Tighten the (2) #8-32 corner screws which join the mounting ring to the box.
- Step 6. Position 232-OW assembly into the wall opening and secure by turning the two retention screws clockwise until ring is secure.
- Step 7. Complete wiring of device(s) according to manufacturer's instructions, and secure to flange using two 6-32 screws supplied with device. Complete by installing suitable cover plate (not included).

 **ELECTRICAL PRODUCTS**
A Division of Hubbell Incorporated (Delaware)
3902 W. Sample St. South Bend, IN 46619
www.Hubbell-RTB.com

 LISTED
OUTLET BOX
731A

119145

4.37
[111.1]