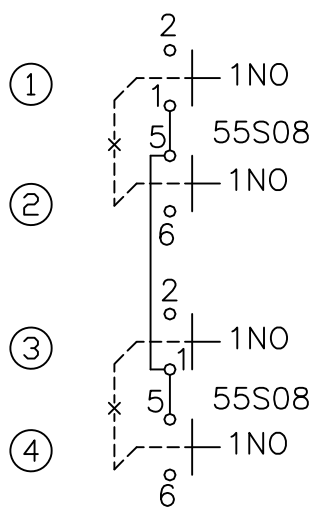
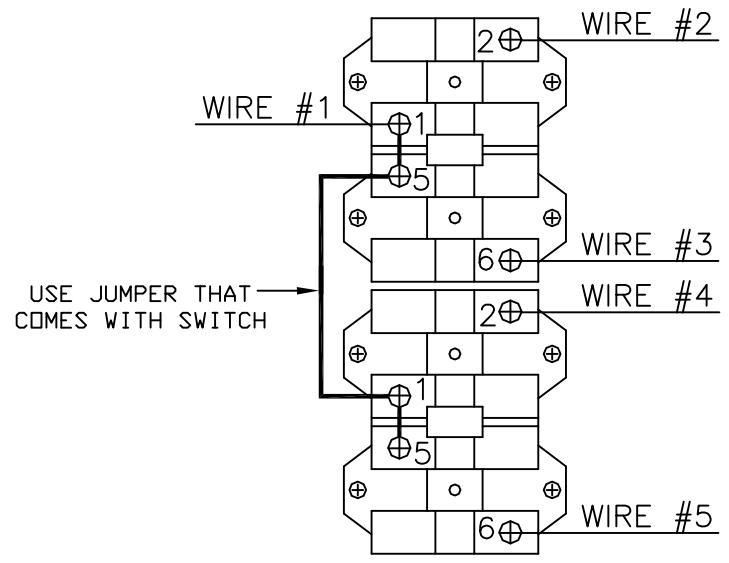


SWITCH SCHEMATIC



SWITCH ASSEMBLY VIEWED FROM BACK SIDE



NOTES:

1. SW1&2, SW3&4 ARE MECHANICALLY INTERLOCKED. 1 SINGLE SPEED MOMENTARY N.O. CONTACT EACH. TYPE 55S08.
2. CONTACTS RATED 5A @ 120 OR 250VAC MAX, 2A @ 24VDC, .4A @ 120VDC.
3. YELLOW HIGH IMPACT ENCLOSURE, STANDARD CABLE ENTRY AND HOUSING DEPTH..
4. UL LISTED, NEMA4X RATED AS ASSEMBLY

REV	REVISION DESCRIPTION	DATE	BY	CHKD	ECN NO.
A	INITIAL DESIGN	12/09/19	FWK		

TOLERANCES
 FRAC. ± 1/64
 .X ± .015
 .XX ± .010
 .XXX ± .005
 ANGLES ± 1°
 UNLESS OTHERWISE SPECIFIED
DO NOT SCALE
 B SIZE

DWG. APPROVALS	DATE	REV.

DRAWN JRA 11/27/19
 CHK'D

ERICSON
 SAFETY IS OUR STANDARD

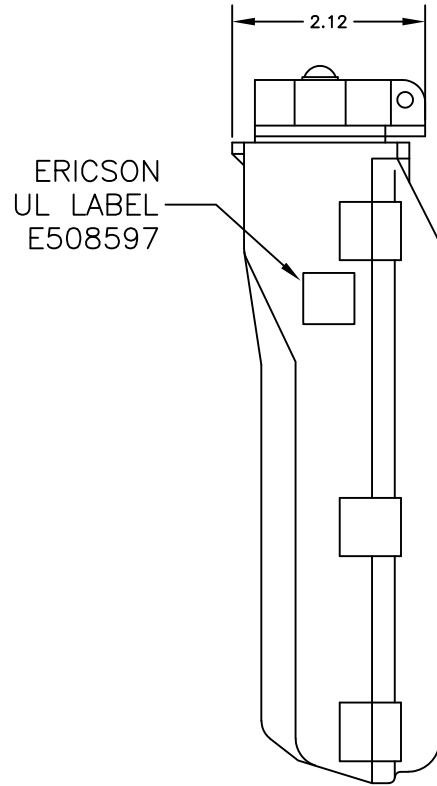
ERICSON MANUFACTURING COMPANY
 1-800-ERICSON • www.ericson.com

DWG. TITLE		
5500 SERIES PENDANTS 4 POSITION PENDANT		
SCALE	PROJ NO.	SHEET 1 OF 2
NTS	--/--	
DWG. UNIT NO.		REV
5504		A

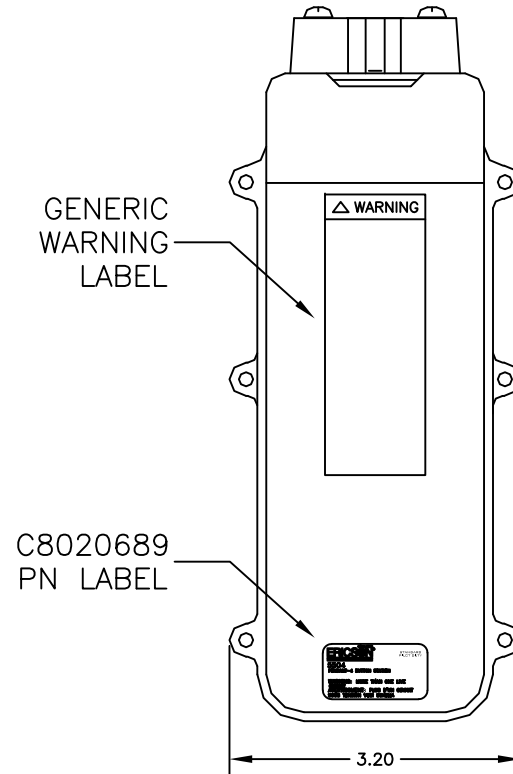
NOTES:

1. SHIPPED WITH POLYBAG CONTAINING RING CRIMP TERMINALS AND LS1 BUTTON LEGEND SHEET
2. SHIPPED WITH C8020398B INSTALLATION & OPERATION MANUAL.
3. SHIPPED WITH 2 PIECE BUSHING KIT 55CG2
4. C1010004 MAIN PENDANT UNIT.
5. POLYBAGGED WITH C8020444 LABEL.

SIDE



BACK



REV	REVISION DESCRIPTION	DATE	BY	CHKD	ECN NO.

TOLERANCES
 FRAC. ± 1/64
 .X ± .015
 .XX ± .010
 .XXX ± .005
 ANGLES ± 1°
UNLESS OTHERWISE SPECIFIED
DO NOT SCALE
 B SIZE

DWG. APPROVALS DATE REV.
 _____ _____ _____
 _____ _____ _____
 DRAWN JRA 12/09/19
 CHK'D _____



ERICSON
 SAFETY IS OUR STANDARD

ERICSON MANUFACTURING COMPANY
 1-800-ERICSON • www.ericson.com

DWG. TITLE		
5500 SERIES PENDANTS 4 POSITION PENDANT		
SCALE NTS	PROJ NO. --/--	SHEET 2 OF 2
DWG. UNIT NO.		REV
5504		A