

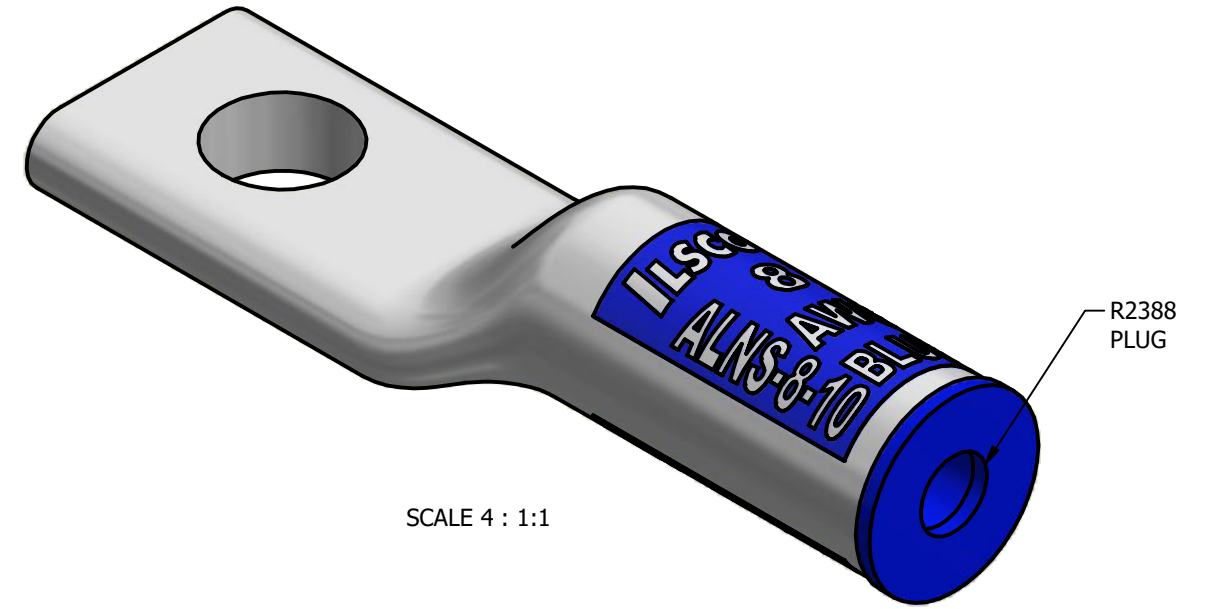
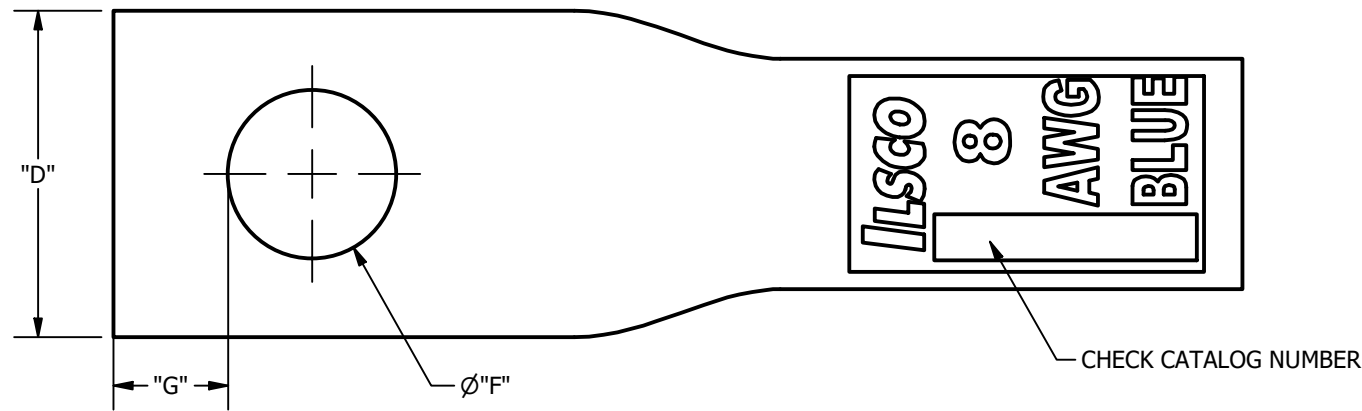
SCREW: NONE  
 CAT. NO. SEE CHART  
 INFORMATION SHEET FORM 196

MATERIAL: ALUMINUM  
 PLATING: EL-TIN  
 MARKING: NO TANG MARKING

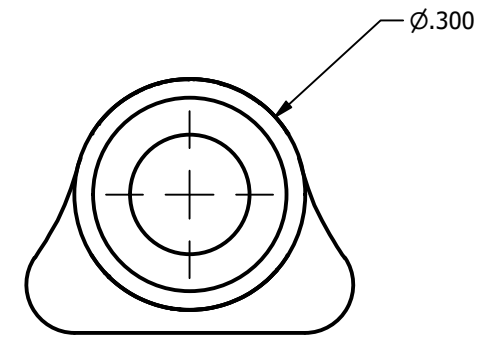
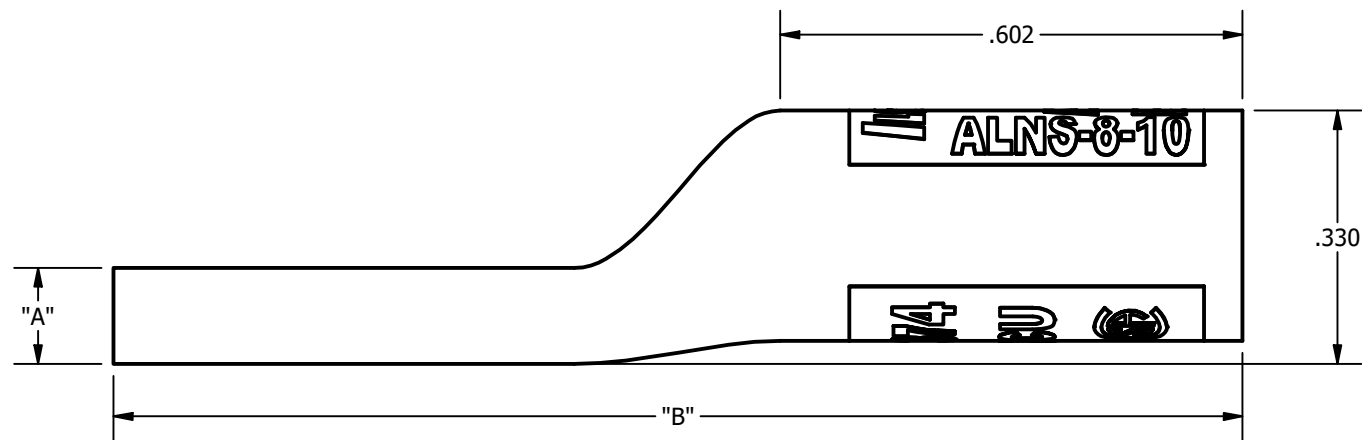
REV: N  
 DRAWN BY: NWV  
 DATE: 5/30/2013  
 SCALE: NTS  
 SIZE: B



DWG NO: YA0103, YAN0103 Single  
 SHEET: 1 OF 1



SCALE 4 : 1:1



Catalog Number	"A"	"B"	"D"	"F"	"G"
ALNS-8-10	0.125	1.470	.425	.219	.149
ALNS-8-14	0.125	1.845	.435	.281	.180