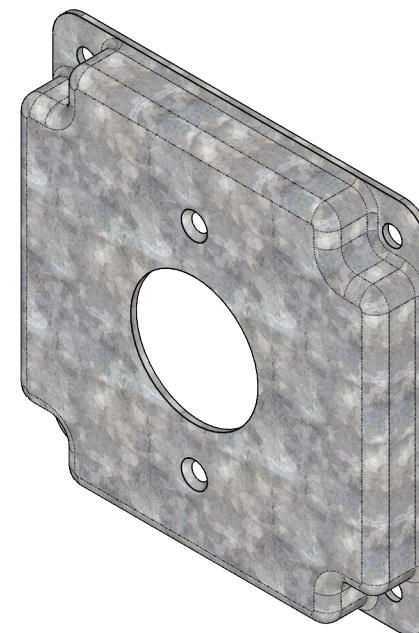
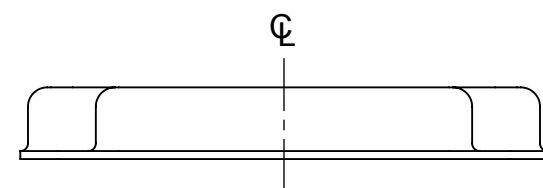
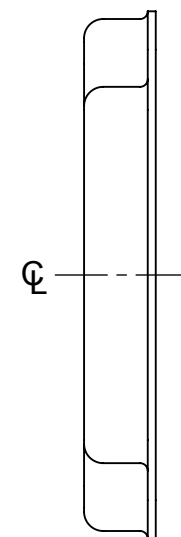
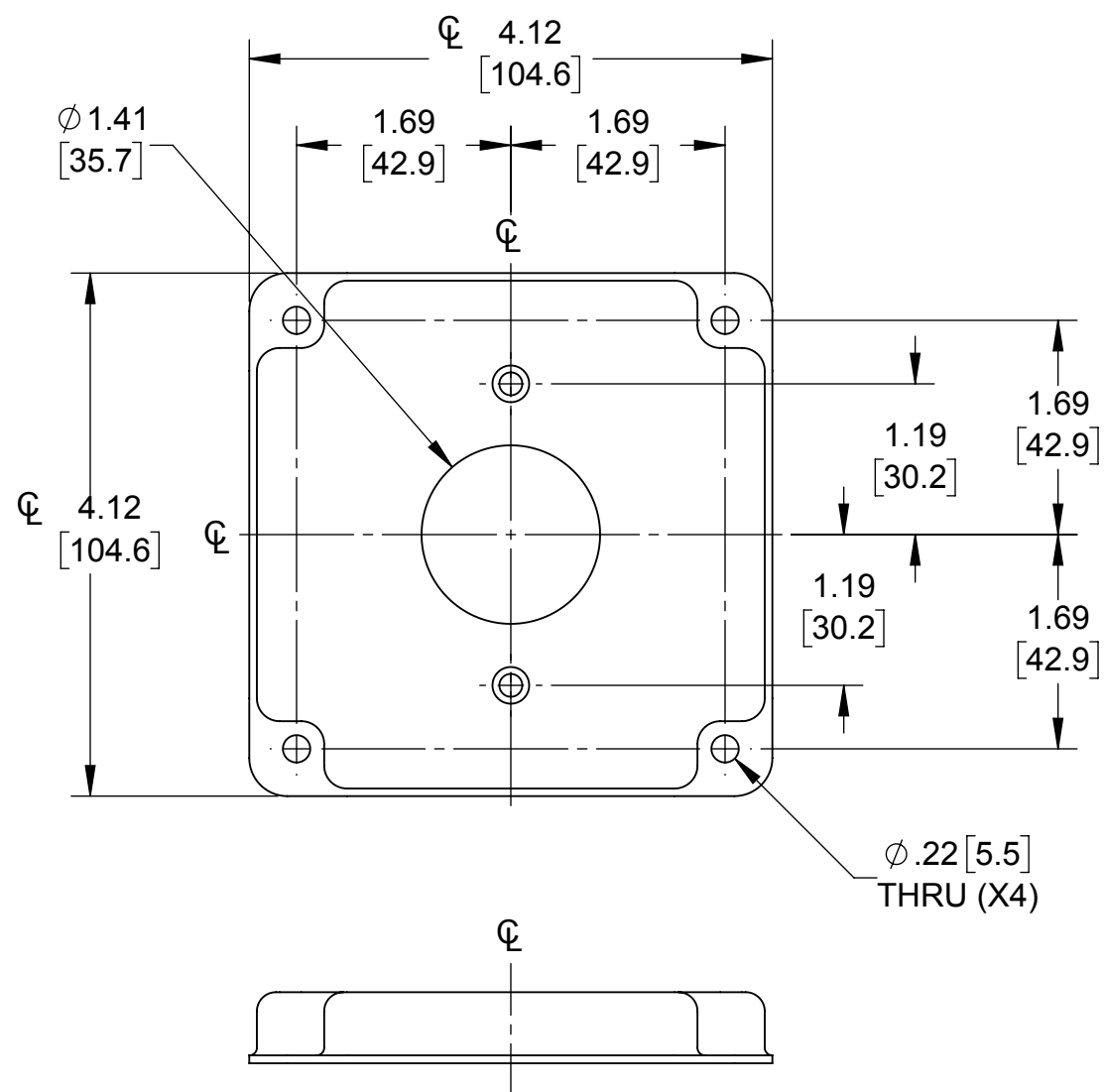
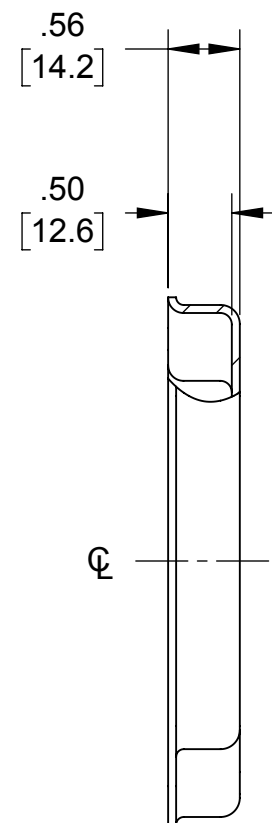
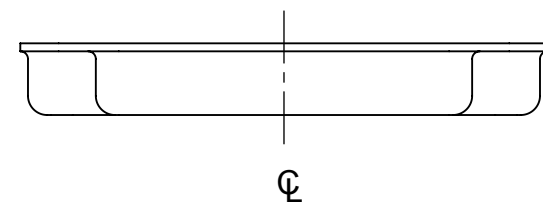
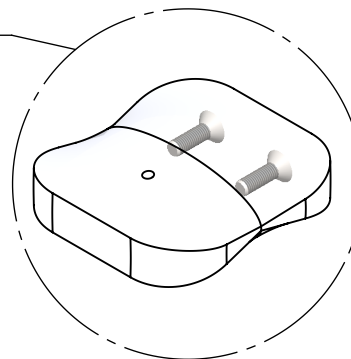


LIST OF PARTS

DESCRIPTION	MATERIAL	FINISH
COVER	STEEL	GALVANIZED
SCREWS	STEEL	GALVANIZED



#6-32 X 7/16" COUNTERSINK
MACHINE SCREWS (QTY. 2)



INITIAL RELEASE	RMV	03-29-17
SYM. REVISION DESCRIPTION	APP	DATE

THE DESIGN AND DIMENSIONS OF THE PRODUCT SHOWN ON THIS DRAWING ARE SUBJECT TO CHANGE WITHOUT NOTICE

TITLE:
**4" SQ. CRUSHED CORNER COVER,
(1) RECT 1.406"**

<p>RACO South Bend, Indiana</p>		
DRAWN BY:	RMV	SCALE:
APP. BY:	RMV	1:1.5
DATE:	03-29-17	

TOLERANCE UNLESS OTHERWISE SPECIFIED

.XX DECIMAL ±.015
.XXX DECIMAL ±.005
ANGLE ±2°

- NOTES:
- ALL DIMENSIONS ARE IN INCHES AND [MILLIMETERS]
 - BOX VOLUME: 6.5 IN³ [107] CM³
 - UL LISTED