
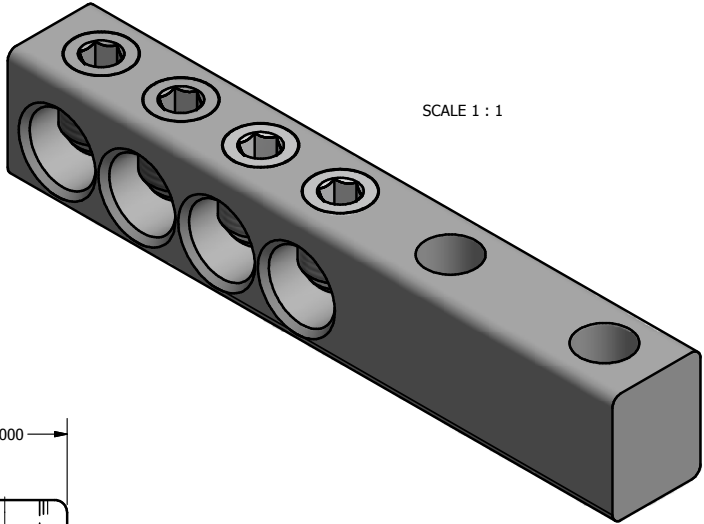
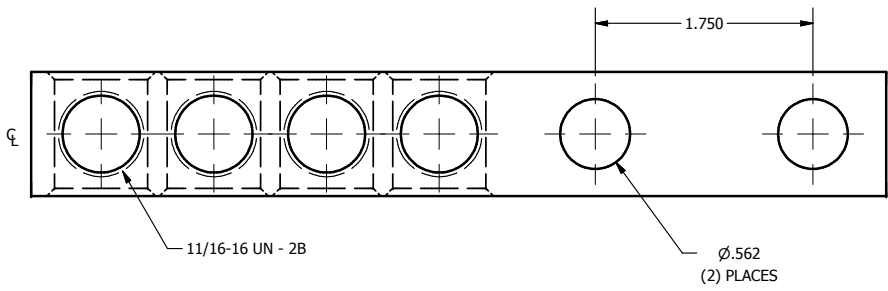
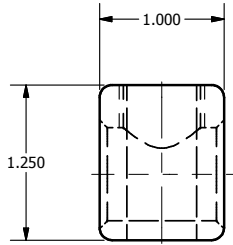
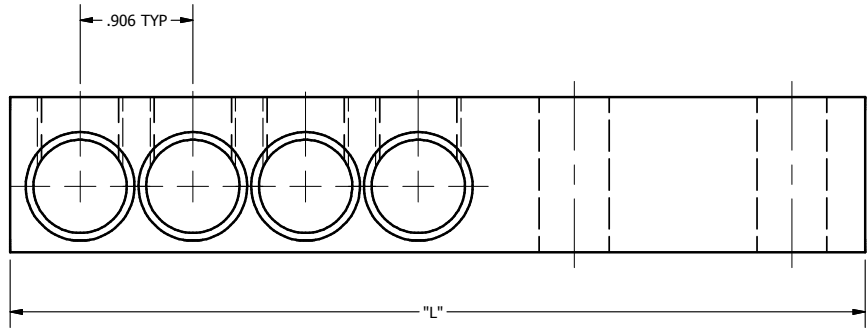


|                           |  |                |   |       |            |
|---------------------------|--|----------------|---|-------|------------|
| SCREW: SEE CHART          | MATERIAL:ALUMINUM                          | REV: AA        | <br>800-776-9775 www.ilSCO.com |       |            |
| CAT. NO.: SEE CHART       | PLATING: SEE CHART                         | DRAWN BY:CLH   |   |       | SCALE: 1:1 |
| INFORMATION SHEET:FORM 18 | MARKING: UTILCO, PET 350, 350MCM-10, AL-CU | DATE:9/26/2007 |   |       | SIZE: B    |
|                           |  |                | DWG NO:   | N7865 |            |
|                           |  |                | SHEET: 1  | OF 1  |            |



SCALE 1 : 1



| CATALOG NUMBER | OUTLETS | "L"    | SCREW     | PLATING |
|----------------|---------|--------|-----------|---------|
| PET4-350       | 4       | 6.875  | E6141C00T | WAX     |
| PET5-350       | 5       | 7.781  | E6141C00T | WAX     |
| PET6-350       | 6       | 8.687  | E6141C00T | WAX     |
| PET8-350       | 8       | 10.500 | E6141C00T | WAX     |
| PET4-350P      | 4       | 6.875  | E6141C00T | WAX     |
| PET6-350P      | 6       | 8.687  | E6141C00T | WAX     |
| PET6-350W      | 6       | 8.687  | E6141C00T | WAX     |
| PET8-350D      | 8       | 10.500 | E6096C00T | WAX     |
| PET4-350T      | 4       | 6.875  | E1411C00T | EL-TIN  |
| PET6-350TP     | 6       | 8.687  | E1411C00T | EL-TIN  |

THE INFORMATION CONTAINED WITHIN THIS DOCUMENT IS PROPRIETARY TO ILSICO AND MAY NOT BE DISCLOSED WITHOUT PRIOR WRITTEN CONSENT