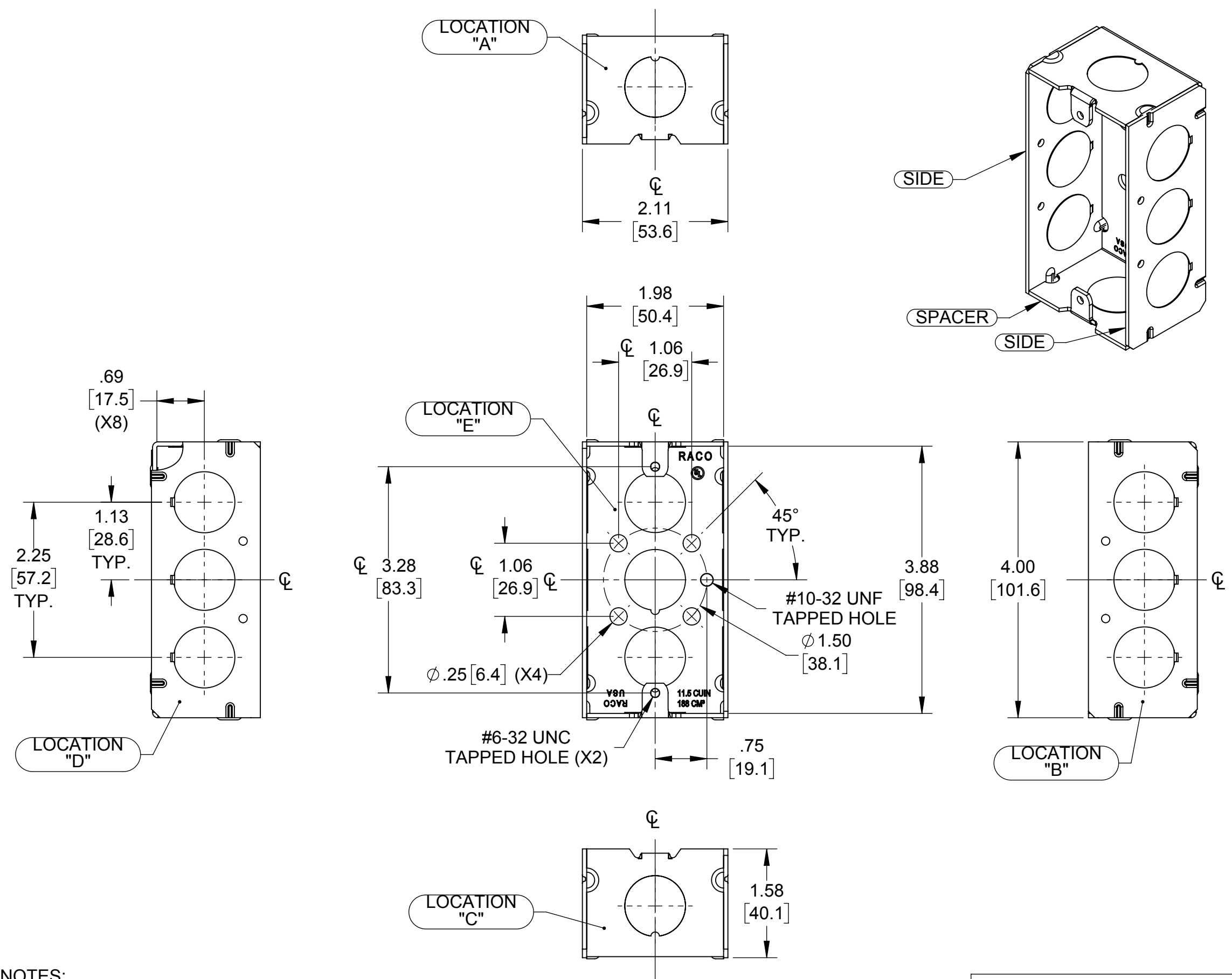
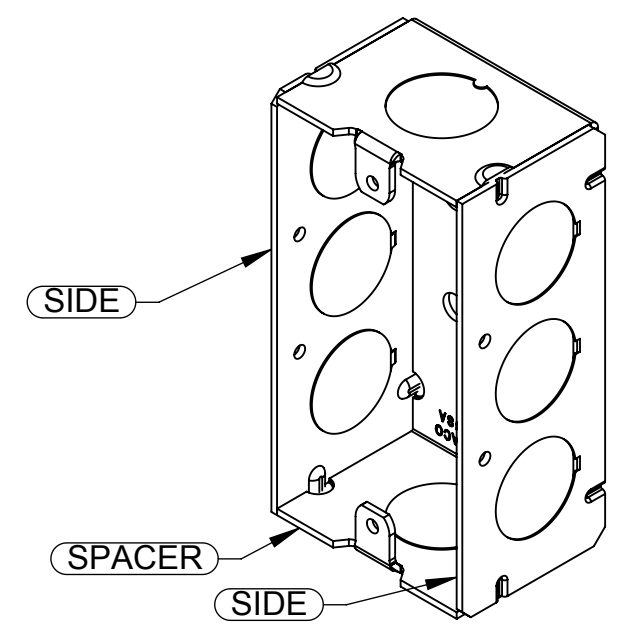


LIST OF PARTS

DESCRIPTION	MATERIAL	FINISH
SPACER	STEEL	GALVANIZED
SIDES	STEEL	GALVANIZED
FASTENERS	STEEL	GALVANIZED



- NOTES:**
- ALL DIMENSIONS ARE IN INCHES AND [MILLIMETERS]
 - BOX VOLUME: 11.5 IN³ [270.4] CM³
 - UL LISTED

KNOCKOUTS		
TRADE SIZE	LOCATION	QTY.
3/4" KO	A,C	1
3/4" KO	B,D,E	3

TOLERANCE UNLESS OTHERWISE SPECIFIED
.XX DECIMAL ±.015
.XXX DECIMAL ±.005
ANGLE ±2°

RACO
South Bend, Indiana

DRAWN BY:	RMV	SCALE:	1:1.5
APP. BY:	N.S.	DATE:	02-14-17

SYMBOL	REVISION DESCRIPTION	APP	DATE
	INITIAL RELEASE	RMV	02-14-17

THE DESIGN AND DIMENSIONS OF THE PRODUCT SHOWN ON THIS DRAWING ARE SUBJECT TO CHANGE WITHOUT NOTICE

TITLE:
4" X 2" HANDY BOX 1-1/2" DEEP