



UPC Code: 07847722442

1221-PLR

Brand Features

Leviton's Industrial Grade AC toggle switches for extra heavy-duty applications represent top-of-the-line quality and peak performance. Leviton uses the finest materials available and the highest production standards to produce industrial switches of unmatched versatility and reliability.

Item Description

20 Amp, 120 Volt, Toggle Pilot Light - Illuminated ON - Req. Neutral Single-Pole AC Quiet Switch, Industrial Grade, Self Grounding, Back & Side Wired, - Red

Technical Information

AC Horsepower Ratings

HP Rating: 1HP-120V

Electrical Specifications

Amperage: 20 A

Dielectric Voltage: Withstands 1500V for 1 minute

Endurance: 50,000 cycles minimum

Grounding: Self-Grounding

Overload UL20 Test: 100 cycles of OL at 4.8 times rated current

Temperature Rise: Maximum 30 degrees C rise

Voltage: 120 VAC

Environmental Specifications

Flammability: Rated V-2 per UL 94

Operating Temperature: -40°C to 65°C

Material Specifications

Base Material: Thermoplastic

Color: Red

Contact Material: Silver Alloy

Cover Material: Thermoplastic

Ground Clips: Brass

Grounding Screw: Brass 8-32

Strap Material: Steel

Terminal Screws: Brass 8-32

Toggle: Polycarbonate

Mechanical Specifications

Product ID: Ratings are permanently marked on device

Terminal Accom.: 14-#10 AWG back wired; #14-#12 AWG side wired

Terminal ID: Brass-Hot Black-Hot White-Neutral Green-Gnd

Torque Range: 12-14 inch pounds

Termination: Back or Side Wire

Product Features

Actuator Material: Polycarbonate

Body Material: Thermoplastic

Color: Red

Feature: Pilot Light - Illuminated ON - Req. Neutral

Grounding: Self-Grounding

Strap Material: Steel

Grade: Extra Heavy-Duty Industrial Specification Grade

Feature 2: Illuminated - Load ON (Pilot Light)

Function: Single-Pole

Device Type: Toggle Switch

Standards and Certifications

ANSI: C-73

CSA C22.2 No. 111: File #152105

NEMA: WD-1 & WD-6

NOM: 057

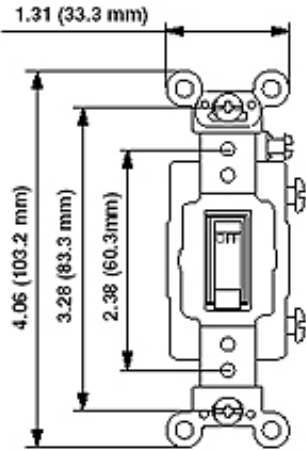
RoHS: Compliant

UL Fed Spec WS896E: File #E7458

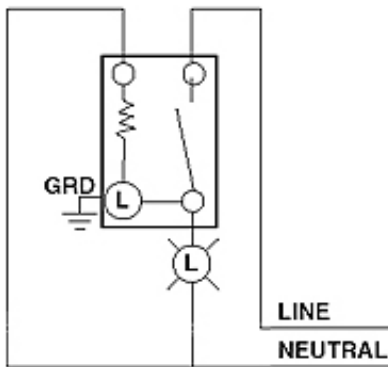
UL Standard: UL 20

Warranty: 10 Year Limited

Dimensional Diagram



Wiring Diagram Single-Pole Pilot



SPECIFICATION SUBMITTAL

JOB NAME: <input type="text"/>	CATALOG NUMBERS: <input type="text"/>	<input type="text"/>
JOB NUMBER: <input type="text"/>	<input type="text"/>	<input type="text"/>

Leviton Manufacturing Co., Inc.

201 North Service Road, Melville, NY 11747

Teléfono: +1-800-323-8920 · FAX: +1-800-832-9538 · Tech Line (8:30AM-7:30PM E.S.T. Monday-Friday): +1-800-824-3005

Leviton Manufacturing of Canada, Ltd.

165 Hymus Boulevard, Pointe Claire, Quebec H9R 1E9 · Telephone: +1-800-469-7890 ·

FAX: +1-800-824-3005 · www.leviton.com/canada

Leviton S. de R.L. de C.V.

Lago Tana 43, Mexico DF, Mexico CP 11290 · Tel.: (+52)55-5082-1040 · FAX: (+52)5386-

1797 · www.leviton.com.mx

Visit our Website at: www.leviton.com

© 2018 Leviton Manufacturing Co., Inc. Todos los derechos reservados. Subject to change without notice.

Leviton has a global presence.

If you would like to know where your local Leviton office is located please go to:

www.leviton.com/international/contacts/

