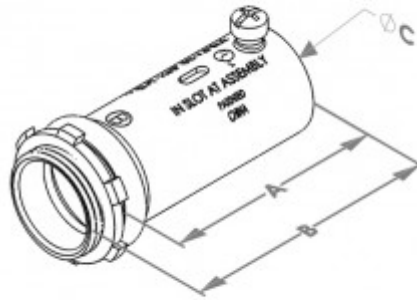


Mighty-Align® SLP Series Slip 3/4" EMT Connectors

Mighty-Align® SLP Series Slip 3/4" EMT Connectors. No more wasting time with short conduit cuts. Used to connect EMT to an enclosure in tight fitting onto conduit to the end stop, position EMT, and then slide the connector into the K.O. Align the end of the EMT with the sight window for pro



[Download Photo](#)



[Download Drawing](#)



[Download Drawing](#)

Product details

Catalog Number:	231-SLP
UPC Number:	78174705231
Primary Materials:	Steel
Finish:	Zinc Plated
Trade Size:	3/4"
Unit Quantity:	10
Standard Package Quantity:	100

Dimensions

Trade Size:	3/4"
Dimensions A:	2.75
Dimensions B:	3.23
Dimensions C:	1.07

Certifications & Codes

Federal Specification Number: A-A-50553

UL File Number: E24001

UNSPSC: 39121434

Nema Standard: FB-1

UL Standard: UL-514B

Patent Number: 9,705,295