

INSTRUCTIONS

A17 XFU FIELD ADJUSTABLE AREA LIGHT INSTALLATION

RAB®

RAB Lighting is committed to creating high-quality, affordable, well-designed and energy-efficient LED lighting and controls that make it easy for electricians to install and end users to save energy. We'd love to hear your comments. Please call the Marketing Department at 888-RAB-1000 or email: marketing@rablighting.com



A17 XFU

IMPORTANT

READ CAREFULLY BEFORE INSTALLING FIXTURE. RETAIN THESE INSTRUCTIONS FOR FUTURE REFERENCE.

RAB fixtures must be wired in accordance with the National Electrical Code and all applicable local codes. Proper grounding is required for safety. THIS PRODUCT MUST BE INSTALLED IN ACCORDANCE WITH THE APPLICABLE INSTALLATION CODE BY A PERSON FAMILIAR WITH THE CONSTRUCTION AND OPERATION OF THE PRODUCT AND THE HAZARDS INVOLVED.

WARNING: Make certain power is OFF before installing or maintaining fixture. No user serviceable parts inside.

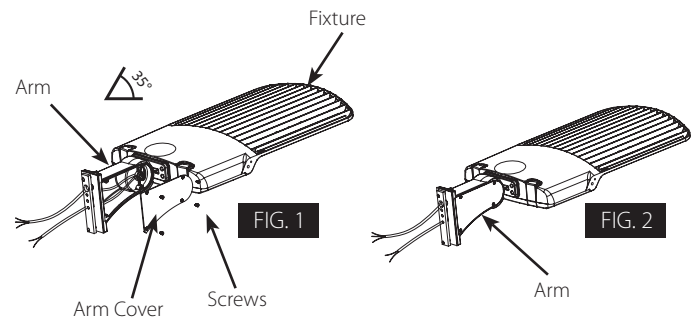
WARNING: Do not use an electric generator to test LED fixtures.

WARNING: Min 75 °C SUPPLY CONDUCTORS.

MOUNTING THE UNIVERSAL ADJUSTABLE POLE ARM ON THE FIXTURE

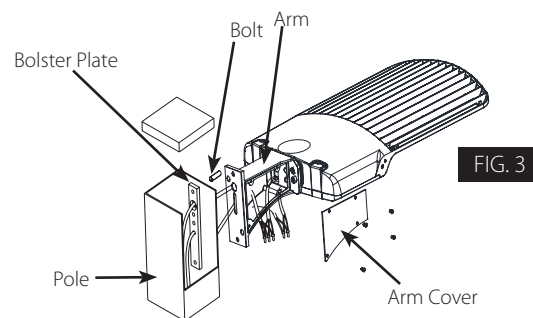
Notice: Adjustable angle is 0-35°

1. Remove the **Arm** mounting **Screws** on the **Fixture**. Open the **Arm Cover** and run the wires through the **Arm** as shown in **Fig. 1**.
2. Install the **Arm** on the **Fixture**, replace the **Arm Cover** and secure with **Screws** as shown in **Fig. 2**.



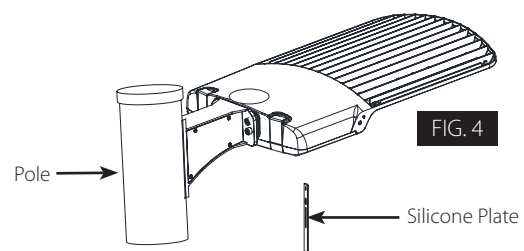
Square Pole Mount

1. Place the **Bolster Plate** inside the **Pole** as shown in **Fig. 3**.
2. Fix **Arm** to **Square Pole** with **Bolt**.
3. Open the **Arm Cover** and pull the wires into the junction box (*supplied by others*).
4. Feed supply wires from the **Pole** to connect to the **Arm**. Make appropriate wire connections per NEC in an approved enclosure (**Fig. 8**).
5. Use bolts to tighten to the **Pole**.



Round Pole Mount

1. Place the **Bolster Plate** inside the **Pole** as shown in **Fig. 3**.
2. Fix **Arm** to **Round Pole** with **Bolt** (**Fig. 4**).
3. Remove **Silicone Plate** (**Fig. 4**).
4. Open the **Arm Cover** and pull the wires into the junction box (*supplied by others*).
5. Feed supply wires from the **Pole** to connect to the **Arm**. Make appropriate wire connections per NEC in an approved enclosure (**Fig. 8**).
6. Use bolts to tighten to the **Pole**.



INSTRUCTIONS

A17 XFU FIELD ADJUSTABLE AREA LIGHT INSTALLATION

RAB®

RAB Lighting is committed to creating high-quality, affordable, well-designed and energy-efficient LED lighting and controls that make it easy for electricians to install and end users to save energy. We'd love to hear your comments. Please call the Marketing Department at 888-RAB-1000 or email: marketing@rablighting.com

FIELD ADJUSTMENT

Follow instructions below to change Fixture Color Temperature (CCT) or Power (W) from the factory settings. **WARNING: Do not open or remove Respirator Plug (Fig 5.)**

Factory Settings: 4000K (CCT), 70W (Power)

Color Temperature (CCT) Adjustment:

1. Unscrew the CCT Selection Switch Cap as shown in Fig. 5.
2. Adjust the CCT by sliding the respective switch to the desired value as shown in Fig. 6.
3. Install and tighten the 3/4" Caps.

Power (W) Adjustment:

1. Open the Driver Box Cover by Latch (2) and remove Screws (2) as shown in Fig. 5.
2. Locate Power (W) Adjusting Knob as shown in Fig. 7.
3. Select Power (W) setting by turning the respective switch to the desired value as shown in Fig. 7.
4. Close the Driver Cover Box and secure with Screws (2) and close Latches (2).

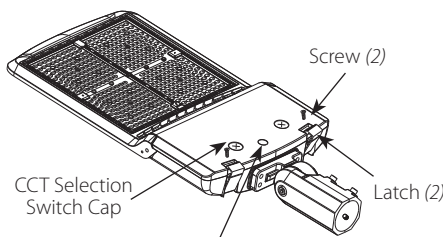


FIG. 5

Respirator Plug do not open/do not remove.

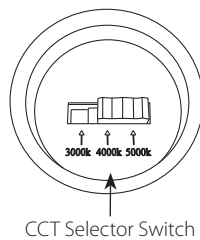
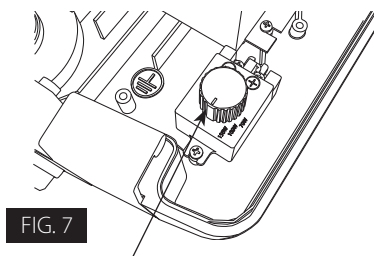


FIG. 6

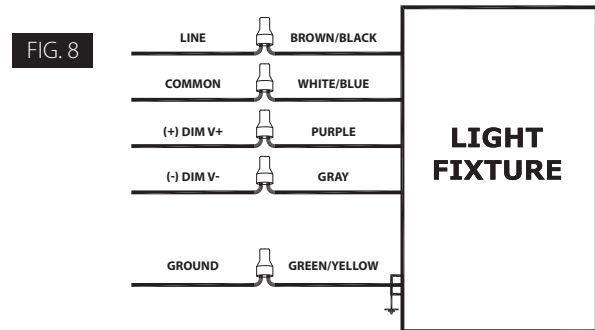


Power (W) Adjusting Knob

0-10V DIMMABLE WIRING

Universal voltage driver permits operation at 120V thru 277V, 50 or 60 Hz. For 0-10 Dimming, follow the wiring directions as in Fig. 8.

1. Connect the Black/Brown fixture lead to the LINE supply lead.
2. Connect the White/Blue fixture lead to the COMMON supply lead.
3. Connect the Green/Yellow wire from fixture to supply ground. Do NOT connect the GROUND of the dimming fixture to the output.
4. Connect the purple fixture lead to the DIM V+ lead.
5. Connect the gray fixture lead to the DIM V- lead.
6. Cap the yellow fixture lead, if present. Do NOT connect.



CLEANING & MAINTENANCE

CAUTION: Be sure fixture temperature is cool enough to touch. Do not clean or maintain while fixture is energized.

1. Clean Polycarbonate lens with non-abrasive glass cleaning solution.
2. Do not open the fixture to clean the LED. Do not touch the LED.

Note: These instructions do not cover all details or variations in equipment nor do they provide for every possible situation during installation, operation or maintenance.

RAB®

© 2021 RAB LIGHTING INC.

Easy Answers

rablighting.com
Visit our website for product info

Tech Help Line
Call our experts: 888 722-1000

e-mail
Answered promptly - sales@rablighting.com

Free Lighting Layouts
Answered online or by request

A17 XFU- IN-0321
73711-RAB

RAB WARRANTY: RAB's warranty is subject to all terms and conditions found at rablighting.com/warranty