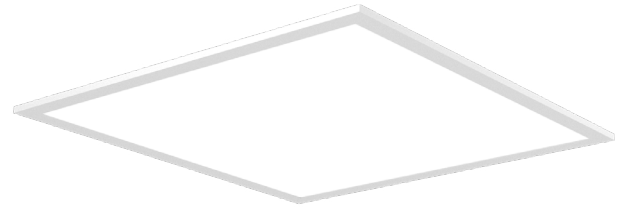


DATE: \_\_\_\_\_ LOCATION: \_\_\_\_\_  
 TYPE: \_\_\_\_\_ PROJECT: \_\_\_\_\_  
 CATALOG #: \_\_\_\_\_

tradeSELECT®

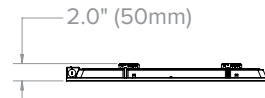
**FEATURES**

- Switchable Lumen technology: 4400/3300/2750 lumens (1x4 and 2x2)  
5500/4400/3300 lumens (2x4)
- Switchable CCT technology: 3500/4000/5000K
- 1x4, 2x2, and 2x4 sizes
- 0-10V 1% Dim to Off driver (standard) provides superior dimming capabilities
- IC rated
- Back-lit design and frosted lens provides smooth, even illumination across the face of the luminaire
- All CBT LSCS Generation A units are priced as single units and must be ordered as single units. Two packaging options are available



SERVICE PROGRAMS

**STOCK QS10**



Typical Dimensions and Weights			
	CBT14 (1x4)	CBT22 (2x2)	CBT24 (2x4)
<b>Length</b>	11.9" / 303 mm	23.7" / 603 mm	23.7" / 603 mm
<b>Width</b>	47.8" / 1213 mm	23.7" / 603 mm	47.8" / 1213 mm
<b>Height</b>	2.0" / 50 mm	2.0" / 50 mm	2.0" / 50 mm
<b>Weight*</b>	4.99lbs / 2.26kg	4.92lbs / 2.23kg	9.37lbs / 4.25kg

\*Base configurations; weight varies by option

**SPECIFICATIONS**

**CONSTRUCTION**

- Aluminum lens frame has a matte white finish
- Luminaire housing is die formed code-gauge steel
- Low profile design is ideal for shallow plenum applications

**OPTICS**

- Acrylic micro-optics over each LED provide edge to edge illumination without pixelation or bright spots
- Frosted textured lens provides smooth surface brightness

**INSTALLATION**

- Integral T-bar clips for secure mounting to 9/16" and 15/16" grid ceiling
- For surface mount applications use surface mount kit accessories
- For plaster or sheet rock installations, use flange kit accessories
- For cable mount applications use surface mount kit accessory and cable kit accessory

**ELECTRICAL**

- 60,000 hour LEDs at L90 for reduced maintenance
- Operates at 120–277V. 1V minimum low-end trim recommended when paired with a 0-10V dimmer
- 0–10V 1% Dim to Off driver is standard. See additional info on page 6
- Switchable luminaire default settings at highest lumen output and 3500K

**PACKAGING**

- All CBT LSCS Generation A units are priced as single units and must be ordered as single units. Two packaging options are available

**CERTIFICATIONS**

- All luminaires are built to UL 1598 standards and bear appropriate cULus labels
- Damp location label standard
- Adheres to LM79, LM80, and TM21 industry standards for photometrics and lifetime calculations

**CERTIFICATIONS (CONTINUED)**

- DLC® (DesignLights Consortium Qualified.) Please refer to the DLC website for specific product qualifications at [www.designlights.org](http://www.designlights.org)
- UL Sanitation Certified to NSF 2 Food Equipment standard for non-food zones
- Tested in accordance with ISO 14644-1; suitable for ISO Class 4-9 positive and negative pressure clean rooms
- Emergency battery options are California Energy Commission (CEC) Title 20 Compliant
- Suitable for ambient temperatures from -25°C to 25°C

**WARRANTY**

- 5 year warranty

KEY DATA	
<b>Lumen Range</b>	2856 - 5997
<b>Wattage Range</b>	23W - 45W
<b>Efficacy Range (LPW)</b>	113 - 143
<b>Reported Life (Hours)</b>	L90/60,000

Gray Shading = Service Program  
Limit of 50 Luminaries **QS10**

**ORDERING GUIDE**

Example: CBT14-A-LSCS-EDD-2PK

CATALOG # \_\_\_\_\_

CBT		Generation	Selectable	Driver	Options
Model	Size				
CBT	14 1x4	A Generation A	LSCS Lumen Selectable, CCT Selectable	EDD 0-10V Dim to Off <sup>1</sup>	ELL14 10W Emergency Battery Pack (CEC Title 20 Compliant) Installed
Back-lit Troffer	22 2x2				C588 5 Wire Flex
	24 2x4				C688 6 Wire Flex <sup>2</sup>

Notes:  
1 EDD - Dim to Off Standard. See additional detail on page 6  
2 Can only be ordered with ELL14 Battery Option

**STOCKED OPTIONS**

Catalog Number	Description	Setting	Lumens			Watts	Lumens Per Watt (LPW)			Weight	Carton Qty	UPC
			3500K	4000K	5000K		3500K	4000K	5000K			
CBT14-A-LSCS-EDD	1x4 Back-Lit Troffer; <b>4400</b> /3300/2750 Switchable Lumens; <b>3500</b> /4000/5000K Switchable CCT; 80 CRI; 0-10V 1% Dim to Off; 120-277V	LOW	2856	3012	2957	23	124	131	129	4.99 lb 2.19 kg	4*	Single Fixture: 840141432670 Master Carton: 10840141432677
		MED	3323	3521	3438	27	123	130	127			
		HIGH	4423	4761	4577	39	113	122	117			
CBT22-A-LSCS-EDD	2x2 Back-Lit Troffer; <b>4400</b> /3300/2750 Switchable Lumens; <b>3500</b> /4000/5000K Switchable CCT; 80 CRI; 0-10V 1% Dim to Off; 120-277V	LOW	2955	3091	3040	23	128	134	132	4.96 lb 2.24 kg	4*	Single Fixture: 840141432687 Master Carton: 10840141432684
		MED	3437	3616	3542	27	127	134	131			
		HIGH	4593	4897	4714	38	121	129	124			
CBT24-A-LSCS-EDD	2x4 Back-Lit Troffer; <b>5500</b> /4400/3300 Switchable Lumens; <b>3500</b> /4000/5000K Switchable CCT; 80 CRI; 0-10V 1% Dim to Off; 120-277V	LOW	3457	3564	3545	25	138	143	142	9.37 lb 4.25 kg	4*	Single Fixture: 840141432700 Master Carton: 10840141432707
		MED	4610	4791	4722	35	132	137	135			
		HIGH	5727	5997	5858	45	127	133	130			

Notes:  
\* Must be ordered in single units, with no quantity restrictions as standard packaging is a master carton containing four individually boxed fixtures.  
Bold indicates default settings

**MADE TO ORDER OPTIONS**

**Factory Installed Flexible Conduit & Battery Options**

Catalog Number	UPC	Description	Carton Qty
<input type="checkbox"/> CBT14-A-LSCS-EDD-ELL14	840141430058	1x4 Back-lit LED Troffer, 4400/3300/2750lm, 3500/4000/5000K, Dim to Off, Factory Installed 10W EM Battery (CEC Title 20 Compliant)	1
<input type="checkbox"/> CBT22-A-LSCS-EDD-ELL14	840141430065	2x2 Back-lit LED Troffer, 4400/3300/2750lm, 3500/4000/5000K, Dim to Off, Factory Installed 10W EM Battery (CEC Title 20 Compliant)	1
<input type="checkbox"/> CBT24-A-LSCS-EDD-ELL14	840141430072	2x4 Back-lit LED Troffer, 5500/4400/3300lm, 3500/4000/5000K, Dim to Off, Factory Installed 10W EM Battery (CEC Title 20 Compliant)	1
<input type="checkbox"/> CBT14-A-LSCS-EDD-C588	603134946468	1x4 Back-lit LED Troffer, 4400/3300/2750lm, 3500/4000/5000K, Dim to Off, Factory Installed 5 Wire Flexible Conduit	1
<input type="checkbox"/> CBT22-A-LSCS-EDD-C588	603134946482	2x2 Back-lit LED Troffer, 4400/3300/2750lm, 3500/4000/5000K, Dim to Off, Factory Installed 5 Wire Flexible Conduit	1
<input type="checkbox"/> CBT24-A-LSCS-EDD-C588	603134946505	2x4 Back-lit LED Troffer, 5500/4400/3300lm, 3500/4000/5000K, Dim to Off, Factory Installed 5 Wire Flexible Conduit	1
<input type="checkbox"/> CBT14-A-LSCS-EDD-ELL14-C688	603134946475	1x4 Back-lit LED Troffer, 4400/3300/2750lm, 3500/4000/5000K, Dim to Off, Factory Installed 10W EM Battery & 6 Wire Flexible Conduit	1
<input type="checkbox"/> CBT22-A-LSCS-EDD-ELL14-C688	603134946499	2x2 Back-lit LED Troffer, 4400/3300/2750lm, 3500/4000/5000K, Dim to Off, Factory Installed 10W EM Battery & 6 Wire Flexible Conduit	1
<input type="checkbox"/> CBT24-A-LSCS-EDD-ELL14-C688	603134946512	2x4 Back-lit LED Troffer, 5500/4400/3300lm, 3500/4000/5000K, Dim to Off, Factory Installed 10W EM Battery & 6 Wire Flexible Conduit	1

ELL14 option uses a 10 watt Emergency Battery. To determine lumen output in emergency mode, multiply 10w by the fixture lumens per watt (LPW). EX: 10w x 123LPW = 1230 Lumens in Emergency Mode  
CBT Gen A fixtures with factory installed ELL14 option require a remote mounted test switch. The Dual Lite PLRTS is included with each CBT that has a factory installed ELL14 option, standard.

**ORDERING GUIDE CONTINUED**

Accessories (Order Separately)	Part #	UPC	Notes & Restrictions
<b>Flange Kits</b>			
<input type="checkbox"/> FK14	FK14	078531000745	1x4 Single Flange Kit
<input type="checkbox"/> FK22	FK22	078531000752	2x2 Single Flange Kit
<input type="checkbox"/> FK24	FK24	078531038991	2x4 Single Flange Kit
<b>Surface Mount Kits</b>			
<input type="checkbox"/> PSMK14	93302543	662055127905	1x4 Shallow Surface Mount Kit, 63mm
<input type="checkbox"/> PSMK22	93302544	662055127912	2x2 Shallow Surface Mount Kit, 63mm
<input type="checkbox"/> PSMK24	93302545	662055127929	2x4 Shallow Surface Mount Kit, 63mm
<input type="checkbox"/> DSMK14	93313908	840141433134	1x4 Deep Surface Mount Kit, 110mm, for use with ELL14 and EMBB options
<input type="checkbox"/> DSMK22	93313898	840141433219	2x2 Deep Surface Mount Kit, 110mm, for use with ELL14 and EMBB options
<input type="checkbox"/> DSMK24	93313899	840141433226	2x4 Deep Surface Mount Kit, 110mm, for use with ELL14 and EMBB options
<b>Emergency Battery</b> - CBP EMBB Kits use a 10 watt Emergency Battery. To Determine lumen output in emergency mode, multiply 10w by the fixture lumens per watt (LPW). Ex: 10w x 123 LPW = ~1230 lumens in emergency mode. A remote mounted test switch is required when installing an EMBB Kit (listed below) on the CBT Gen A, we recommend the Dual Lite PLRTS (order separately).			
<input type="checkbox"/> CBP14A EMBB Kit	93308995	662055313940	1x4 CBP EMBB (CEC Title 20 Compliant) Field Installable Kit
<input type="checkbox"/> CBP2224A EMBB Kit	93308998	662055313971	2x2 & 2x4 CBP EMBB (CEC Title 20 Compliant) Field Installable Kit
<b>Dimming Bypass Module</b>			
<input type="checkbox"/> CBP14A DTS Kit	93308997	662055313964	1x4 CBP DTS Field Installable Kit
<input type="checkbox"/> CBP2224A DTS Kit	93309000	662055313995	2x2 & 2x4 CBP DTS Field Installable Kit
<b>Switch Cover</b>			
<input type="checkbox"/> PSC Switch Cover 50PK	93167456	840141413426	CBP Selectable Driver Switch Cover
<b>Cable Mount</b>			
<input type="checkbox"/> CFPCM36YSC5F-KIT	93093113	078531133023	36" Cable Mount Kit for 1' or 2' wide Cable Mount fixtures, 5-wire

Cable Mount Kit not available with 347V  
Surface Mount Kit (PSMK\_\_ or DSMK\_\_) required for Cable Mounting

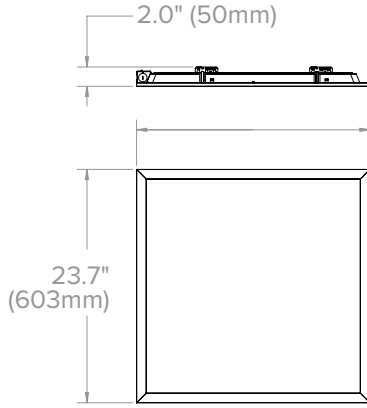
**DLC LISTINGS**

Size	DLC Model #	DLC Product ID #
1x4	CBT14-A-LSCS-EDD	S-0BBXCH
2x2	CBT22-A-LSCS-EDD	S-6LZF85
2x4	CBT24-A-LSCS-EDD	S-J8QJ2F

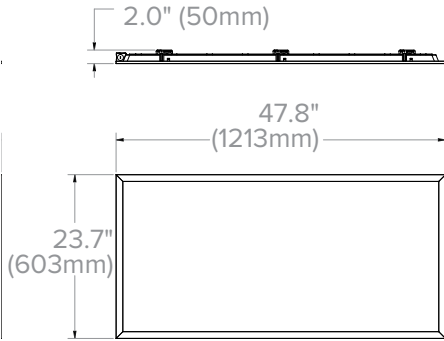
**DIMENSIONS**

**Basic Version**

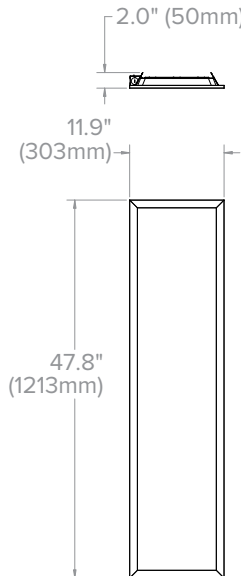
**2x2 example**



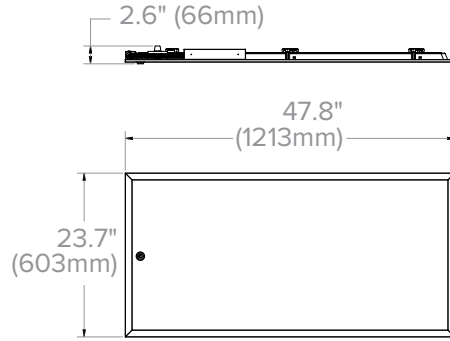
**2x4 example**



**1x4 example**

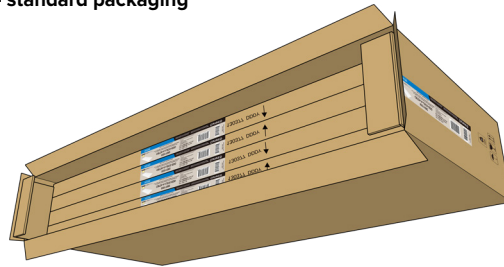


**2x4 example with EMBB kit**



**PACKAGING INFO**

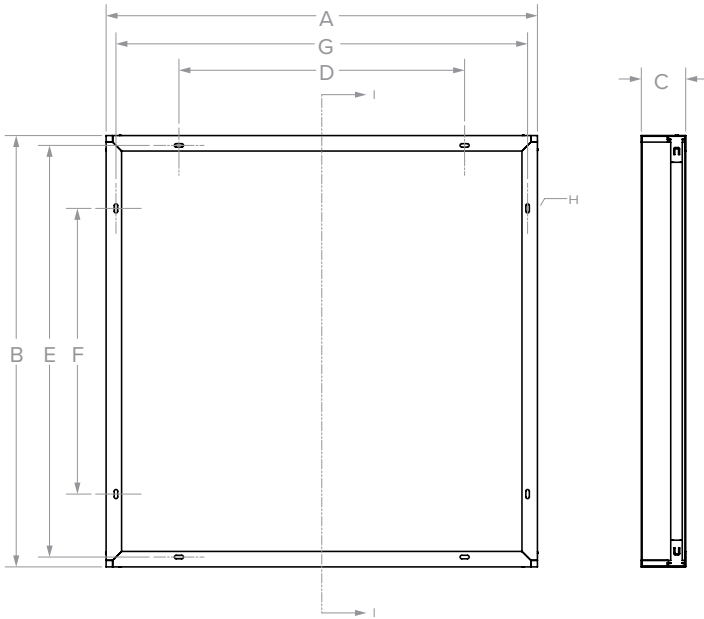
**4 Pack — standard packaging**



Standard 4 Pack. Fixtures are priced as single fixtures and must be ordered as single fixtures. Standard packaging is a master carton containing four individually boxed fixtures. It should be noted in receiving documents that one master carton includes four individually boxed fixtures and should be received as four fixtures

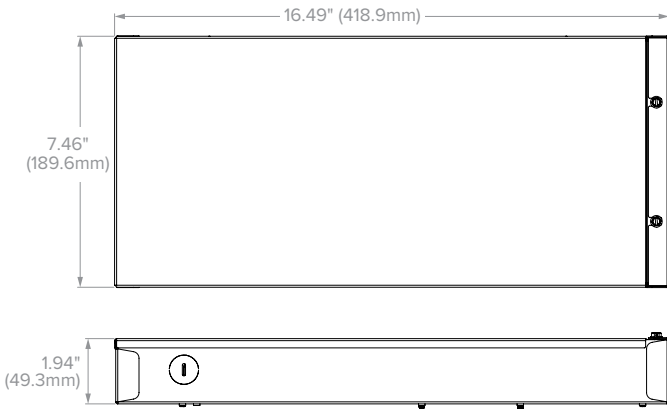
**ACCESSORY DIMENSIONS**

Surface Mount PSMK Dimensions - 2x2 example see below chart for all size dimensions

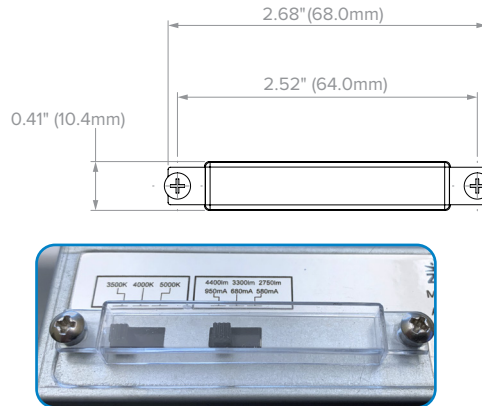


Product Code	Description	A (in)	B (in)	C (in)	D (in)	E (in)	F (in) Between Holes	G (in)
93302543	PSMK14 1x4 SMK - 63mm	12.32	48.09	2.48	-	46.91	16.0 (3 holes)	11.14
93302544	PSMK22 2x2 SMK - 63mm	24.25	24.25	2.48	16.0	23.06	16.0	23.06
93302545	PSMK24 2x4 SMK - 63mm	24.25	48.09	2.48	16.0	46.91	16.0 (3 holes)	23.06
93313908	DSMK14 1x4 SMK - 110mm	12.35	48.07	4.34	-	46.91	16.0 (3 holes)	11.14
93313898	DSMK22 2x2 SMK - 110mm	24.27	24.27	4.34	16.0	23.06	16.0	23.06
93313899	DSMK24 2x4 SMK - 110mm	24.27	48.07	4.34	16.0	46.91	16.0 (3 holes)	23.06

**Control Box**



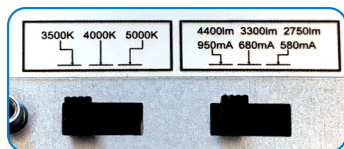
**PSC Switch Cover**



**ADDITIONAL INFO**

**LSCS Switches Default Settings**

Maximum Lumen Output and 3500K CCT



**0-10V DIMMER COMPATIBILITY**

Fixture operates at 120-277V. 0-10V dimmable driver, down to 1%.

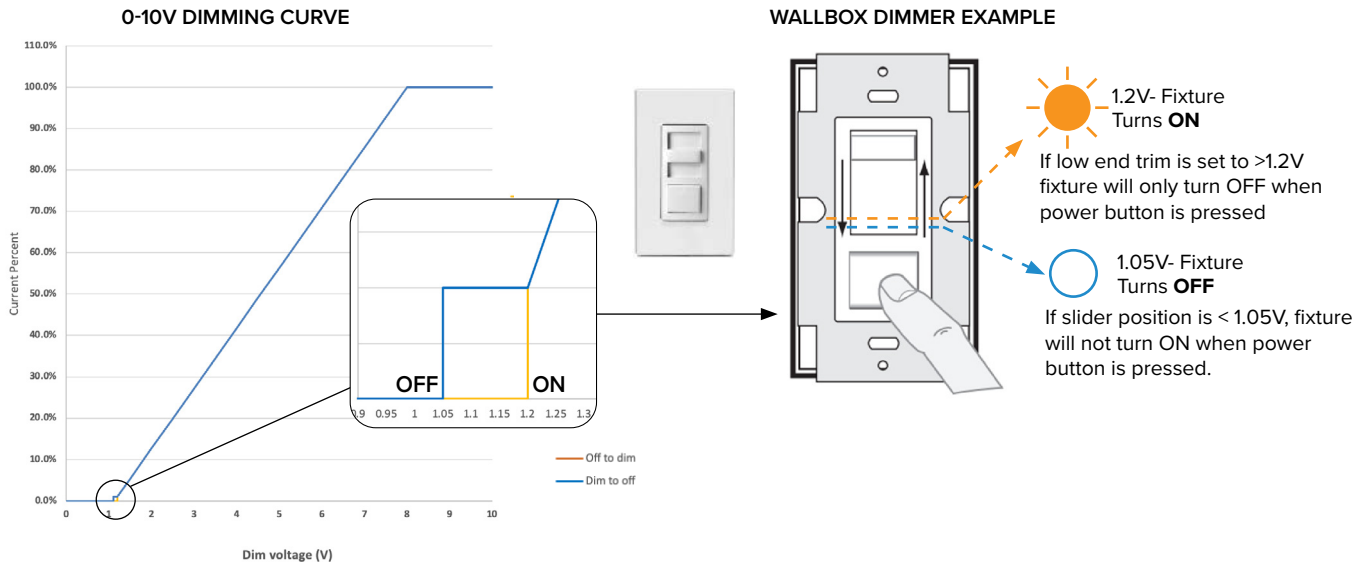
1V minimum low-end trim recommended when paired with a 0-10V dimmer.

List of suitable dimmers based on laboratory testing. Compatibility must be verified by customer before install. Columbia cannot guarantee dimmer compatibility

- NX Lighting Controls RSD0108-UNV-XX
- LUTRON DDTV\*
- Synergy® ISD BC120/277
- Lutron® Diva DVST\*
- LUTRON NTSTV-DV
- Enerlites® 51300L\*

\* Dimmers require adjusting knobs to change Low End Trim Voltage below 1.05V

**ADDITIONAL DIMMING INFORMATION: DIMMING CURVE**



**DIM TO DARK FUNCTION**

Dimmer Low End Trim Settings	ON/OFF Operation		Dimmer Control Range
> 1.2V	ON/OFF Toggle power control only		Full output to Low End Trim Setting
1.05V to 1.2V	<b>ON</b> Adjust dimmer control above 1.2V + Set power control to ON	<b>OFF</b> Set power control to OFF	Full output to Low End Trim Setting
< 1.05V	<b>ON</b> Adjust dimmer control above 1.2V + Set power control to ON	<b>OFF</b> Set power control to OFF or Adjust dimmer below 1.05V level	Full output to OFF