

Color: White

Weight: 1.6 lbs

Project:	Type:
Prepared By:	Date:

Driver Info		LED Info	
Type	Constant Current	Watts	20W
120V	0.17A	Color Temp	N/A
208V	N/A	Color Accuracy	N/A
240V	N/A	L70 Lifespan	N/A
277V	N/A	Lumens	2,023-2,096 lm
Input Watts	19.3-19.4W	Efficacy	104.3-108.6 lm/W

Technical Specifications

Compliance

UL Listed:

Suitable for wet locations

Trade Agreements Act Compliant:

This product is a product of Cambodia and a "designated country" end product that complies with the Trade Agreements Act

DLC Listed:

This product is on the Design Lights Consortium (DLC) Qualified Products List and is eligible for rebates from DLC Member Utilities. Designed to meet DLC 5.1 requirements.
DLC Product Code: S-8WLTMS

Sensor Specifications

Operating Voltage:

120 Vac @ 60Hz

Operating Current:

0.17A

Light Output:

10% to 100% stepless dimmer

Detection Area/Sensor Sensitivity:

30% ~100%

Detection Area:

Maximum diameter 50ft 160°

Hold Time:

5s~10min

Threshold Daylight Sensor:

5~2000 Lux

Color Temperature:

Min 3000K to Max 5000K field-adjustable

Detection Angle:

160°

Mounting Height:

Max 10 ft (Wall or Eaves mounted/Ceiling mounted)

Detection Range:

Max radius 50 ft (wall mounted)

Operating Temperature:

-20°C to 50°C (-4°F to 122°F)

IP Rating:

IP65

Surge Protection:

1kV

Lifespan:

100,000-Hour LED lifespan based on IES LM-80 results and TM-21 calculations

IC:

ASCHIP

Dimming:

0-10V

Total Lumen:

2200lm

Construction

Effective Projected Area:

2000 square foot

Housing:

Polycarbonate

Lens:

Polycarbonate lens

Reflector:

Polycarbonate

Tunable Switch Settings

Dimmer:

Minimum Setting (from): 0% brightness

Maximum Setting (up to): 100% light output

Color:

Minimum Setting (from): 3000K

Maximum Setting (up to): 5000K

Technical Specifications (continued)

Photocell:

Minimum Setting (from): The light turns on only when it is dark enough

Maximum Setting (up to): The light will turn on in the daylight, sunset or in the darkness

Time:

Minimum Setting (from): The light turns OFF after 5 sec. when no motion is detected.

Maximum Setting (up to): The light turns OFF after 10 min. when no motion is detected.

Sens:

Minimum Setting (from): 30% for short detection range (min 10 ft.)

Maximum Setting (up to): 100% for long detection range (max 50 ft.)

Other

5 Yr Limited Warranty:

The RAB 5-year, limited warranty covers light output, driver performance and paint finish. RAB's warranty is subject to all terms and conditions found at rablighting.com/warranty.

Buy American Act Compliance:

RAB values USA manufacturing! Upon request, RAB may be able to manufacture this product to be compliant with the Buy American Act (BAA). Please contact customer service to request a quote for the product to be made BAA compliant.

Electrical

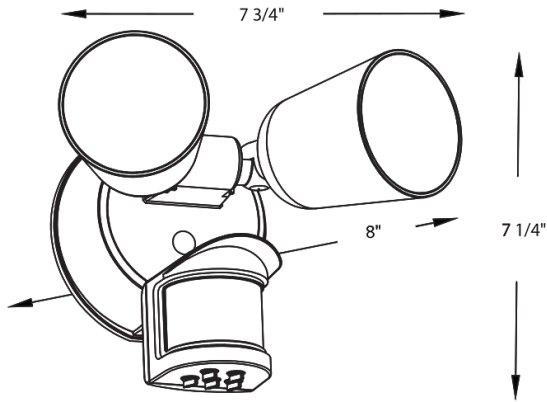
THD:

11.25% at 120V

Power Factor:

98.3% at 120V

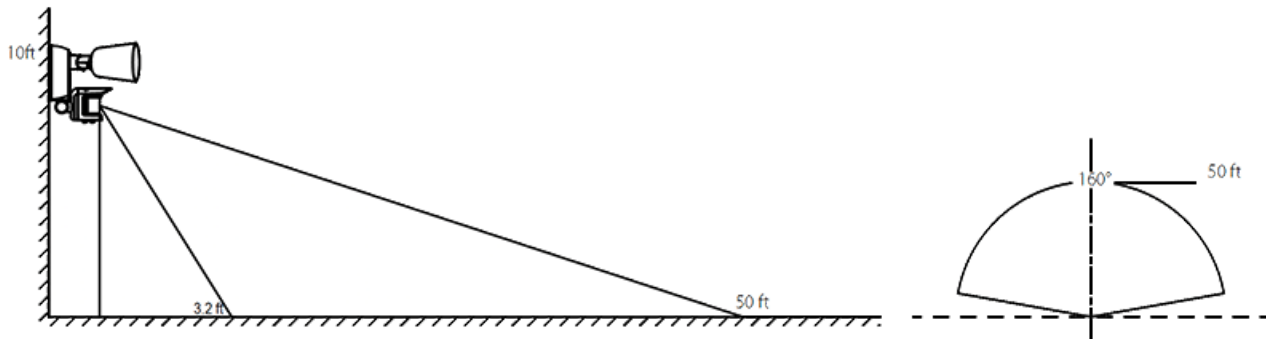
Dimensions



Features

- 100,000-Hour LED lifespan
- DLC Listed
- 5-Year, limited warranty

Coverage Pattern



Ordering Matrix

Family	Wattage	Color Temp	Finish	Voltage
LU160			W	
	Blank = 20W	Blank = 3000K to 5000K Tunable	Blank = Bronze W = White	Blank = 120V