

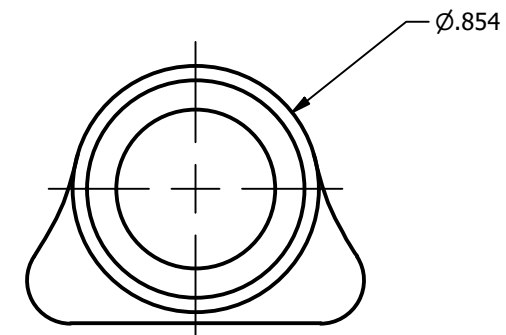
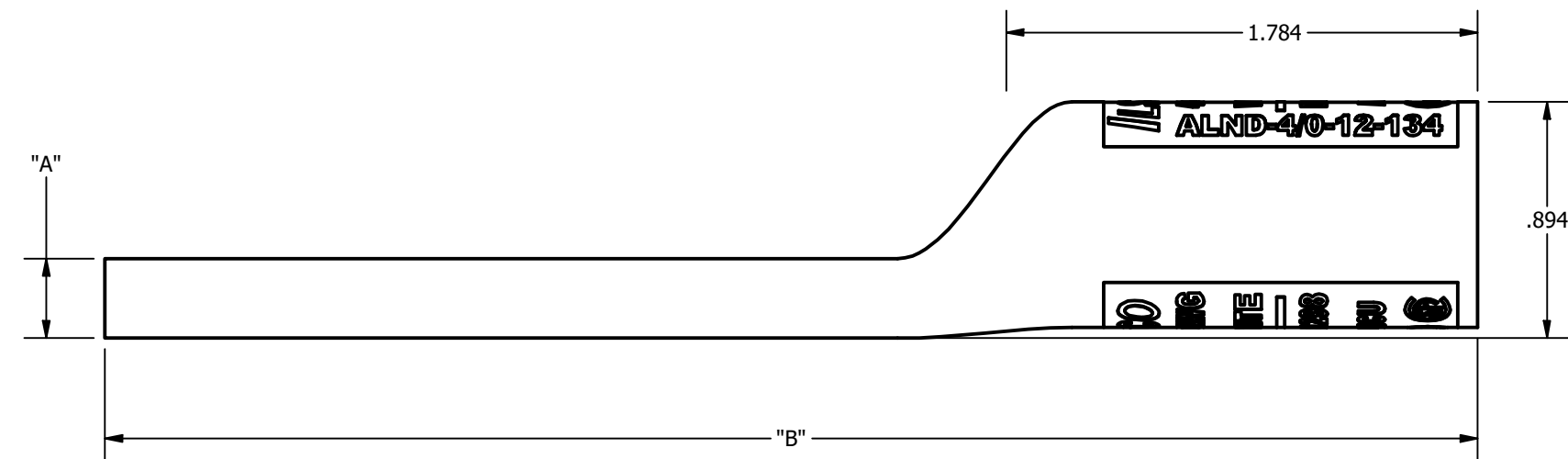
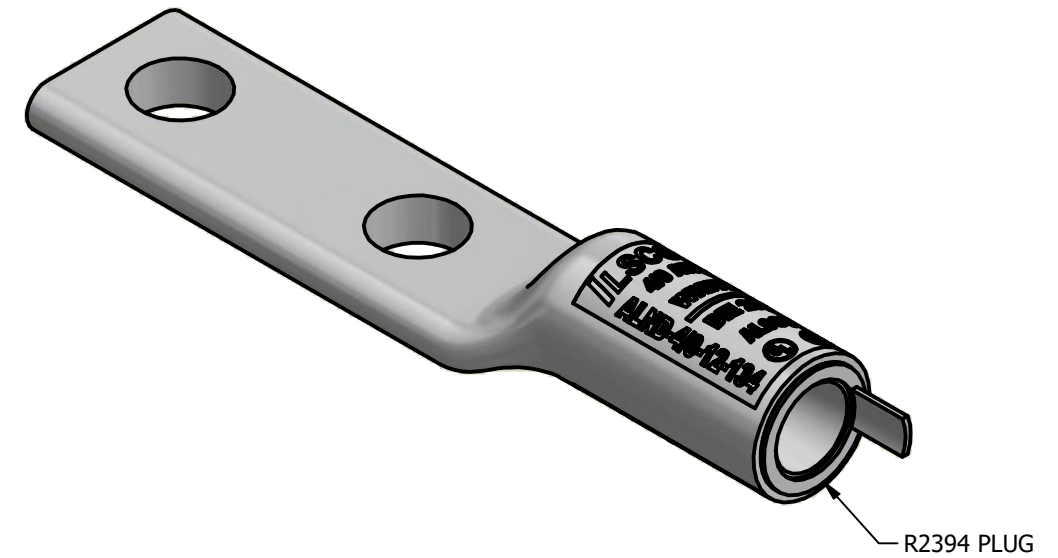
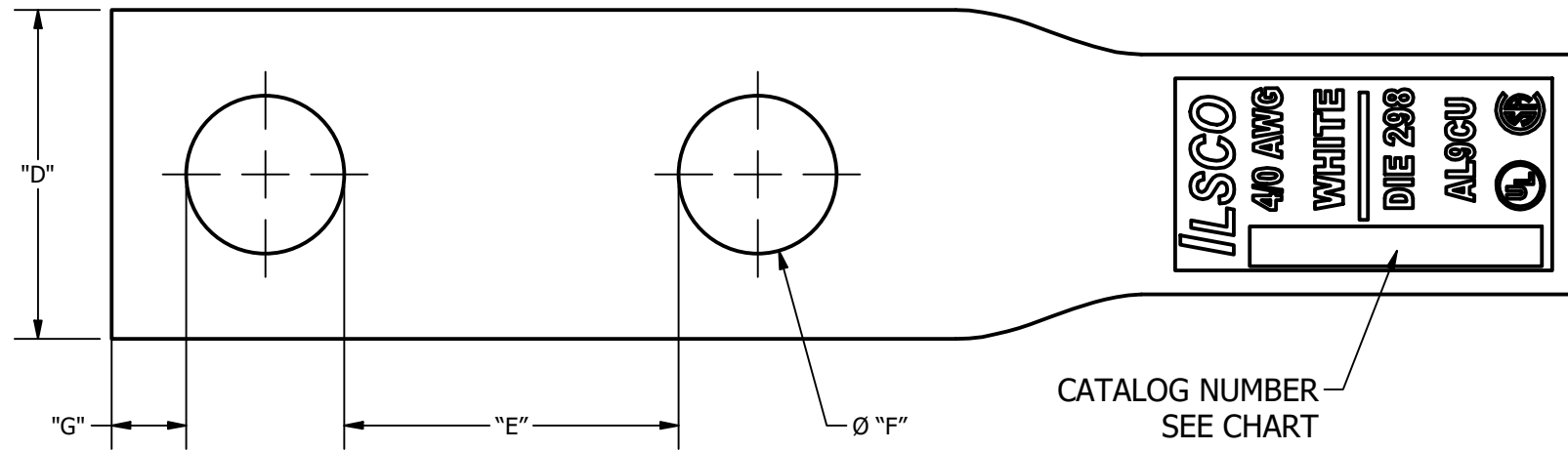
SCREW: NONE  
 CAT. NO. SEE CHART  
 INFORMATION SHEET: FORM 196

MATERIAL: ALUMINUM  
 PLATING: EL-TIN  
 MARKING: NO TANG MARKING

REV: N  
 DRAWN BY: MWW SCALE: NTS  
 DATE: 5/30/2013 SIZE: B

**ILSCO**  
 connections matter  
 800-776-9775 www.ilSCO.com

DWG NO: YA1003, YAN1003 Double  
 SHEET: 1 OF 1



Catalog Number	"A"	"B"	"D"	"E"	"F"	"G"
ALND-4/0-38-1	0.301	4.120	1.170	0.594	0.406	.211
ALNN-4/0-38-1	0.327	4.126	0.810	0.594	0.406	.211
ALND-4/0-38-134	0.301	4.800	1.170	1.344	0.406	.211
ALNN-4/0-38-134	0.336	4.815	0.810	1.344	0.406	.211
ALND-4/0-12-1	0.301	4.300	1.170	0.438	0.562	.265
ALNN-4/0-12-1	0.330	4.313	0.811	0.438	0.562	.265
ALND-4/0-12-134	0.301	5.195	1.170	1.188	0.562	.265
ALNN-4/0-12-134	0.300	5.026	0.824	1.188	0.562	.265