

Klein Tools AEPJS3 is a powered speaker designed to provide high-quality sound for smart phones, tablets, computers, or other audio devices. The AEPJS3 will also charge common mobile devices like cell phones, tablets, headphones, and other smaller USB devices.

CONTENTS

- AEPJS3 Bluetooth® Speaker
- 39.4" (1000mm) USB-A to USB-C Cable
- 23.6" (600mm) 1/8" (3.5 mm) Auxiliary Cable
- Instruction Sheet

GENERAL SPECIFICATIONS

- **Dimensions:** 5.46" x 5.37" x 2.33" (139 x 136 x 59 mm)
 - **Weight:** 1.14 lb. (517 g)
 - **Wireless Compatibility:** Devices with Bluetooth® Version 4.2
 - **Wireless Connection Range:** 100 ft. (30 m) in open space
 - **Support Profiles:** AD2P, AVRCP, HFP, SPP
 - **Battery Type:** Internal, Li-Ion, 3.63V / 5200mAh
 - **Battery Life:** 20+ hours at 70% volume
 - **Certifications:** CE, FCC, IC, BC, NOM
 - **Operating/Charging Temperature:** 32° to 104°F (0° to 40°C)
 - **Storage Temperature:** -22° to 140°F (-30° to 60°C)
 - **Relative Humidity:** <85% non-condensing
 - **Drop Protection:** 6.6' (2 m)
 - **Ingress Protection (IP) Rating:** IP54
- Specifications subject to change.*

⚠ WARNINGS

Read, understand, and follow these instructions to ensure safe operation. Failure to observe these warnings can result in risk of fire or electric shock. Keep these instructions for future reference.

- No user-serviceable parts inside. Do not open enclosure or attempt to repair this speaker.
- Never lubricate any part of this speaker.
- Do not expose to direct sunlight, open flame, heat sources, equipment that produces heat, or extremes in environmental temperature.
- Never immerse in water or other liquids. Do not allow liquids, dust or debris to enter openings or vents on the speaker enclosure.
- Water-resistant cover must be properly sealed to achieve specified water & foreign object ingress protection. Keep seal free of dirt, oil, sand, or other material that interferes with proper sealing. Failure to do so can result in risk of fire or electric shock.
- Do not open water-resistant cover if wet or in a wet environment. Dry the speaker thoroughly and the seal around water-resistant cover completely before opening water-resistant cover.
- When speaker is in use or charging, make sure there is adequate space to allow ventilation of internally generated heat.
- Use safety-rated power supply or wall adapter. Never use power supply or wall adapter that exceeds the specified charging voltage and current.
- Route the power supply cable so that it will not be stepped on or pinched by other objects.

SYMBOLS ON PRODUCT

- Warning or Caution**
- Strong Magnetic Field**
- Read Manual**
- Conforms with particular Code of Federal regulations**
- Meets CEC and DOE energy efficiency requirements**
- Canada Energy Efficiency Verified**
- This product has been independently tested by Intertek and meets applicable published standards**
- NOM-NYCE – IFETEL**
- Do not place equipment and its accessories in the trash**
- Recycle**
- Conformité Européenne: Conforms with European Economic Area directives**

FEATURE DETAILS (FIG. A)

- 1 Power Button
- 2 Skip Backward Button
- 3 Play/Pause/Talk Button
- 4 Skip Forward Button
- 5 Daisy Chain Button
- 6 “-” Volume Down Button
- 7 “+” Volume Up Button
- 8 Voice Control Button
- 9 Bluetooth® LED Indicator
- 10 Battery Status Indicator
- 11 Daisy Chain LED Indicator
- 12 Nail Hook
- 13 Magnets (-x2)
- 14 Auxiliary “Aux In” Jack
- 15 USB A Charge Out Port
- 16 USB C Charge In/Out Port
- 17 Water/Dust-Resistant Cover

OPERATING INSTRUCTIONS

CHARGING BATTERY

NOTE: Fully charge before use. First-time charge should be at least 4 hours. Connect the USB Type C cable connection to USB charging port (16); plug the other end of cable to computer or USB AC adapter or other USB power supply (not included). Charge times will vary: 5V-2.4A Charger - Approx. 3 Hours, 5V-1.0A Charger: Approx. 5 Hours. The battery level indicator will illuminate to indicate charging status (see table below).

CHARGING STATUS LED INDICATORS				
LED	Status	% Charged		
● (Cascading Green)	▲ (Cascading Green)	0% to 24% charged		
● (Cascading Yellow)	● (Cascading Yellow)	25% to 49% charged		
● (Cascading Red)	● (Cascading Red)	50% to 74% charged		
● (Blinking Green)	● (Blinking Green)	75% to 99% charged		
● (Solid Green)	● (Solid Green)	100% charged		

ON/OFF: Press & hold power button (1) for 3 seconds, a tone will sound. Unit will automatically power off after 20 minutes of inactivity.

NOTE: Turn unit off when not in use to prolong battery life. **PAIRING:** Wireless connection activates automatically and is ready to pair when unit is turned on. On your Bluetooth® wireless compatible device, enable Bluetooth® and search for devices that can be paired. Select “AEPJS3” when it appears (refer to the user manual of your device). If necessary, enter “0000” as pairing passcode. A tone sounds after a successful pairing.

NOTE: Unit automatically attempts to connect the last paired wireless device but is ready to pair with any compatible device if the last paired device is not detected within 5 seconds of powering on.

DISCONNECT PAIRING:

- 1) Turn unit off; or
- 2) Double-press Power Button (1). Bluetooth® LED Indicator (9) will blink; or
- 3) Plug a cable into Aux jack (14); or
- 4) Turn off Bluetooth® wireless connection in paired device.

RESET WIRELESS CONNECTION OR PAIRING WITH DIFFERENT DEVICES:

Double-press Power Button (1) (tone sounds). Repeat Pairing procedure with different devices.

PLAYING AUDIO: Use your device to control the speaker or use the built-in control buttons on the speaker.

- Press the Play/Pause/Talk button (3) to play or pause audio on your device.
- Press the “-” (6) or “+” (7) button to adjust the speaker volume. A tone will sound when maximum volume is reached. Volume may also be controlled through your audio device.
- Press the Skip Forward (4) or Skip Backward (2) buttons to skip backward or forward (respectively) during a song.

AUXILIARY AUDIO-IN: Connect one end of the auxiliary cable to the AUX jack (14) of the speaker; plug the other end of cable to line-out or headphone jack of your device.

SPEAKERPHONE OPERATION:

- When an incoming call occurs, playing music is muted & ring tone sounds. Short-press Play/Pause/Talk (3) button to answer the call, or long-press to ignore.
- To disconnect the call, short press the Play/Pause/Talk button (3) to hang up.

DAISY-CHAINING: Once you have your AEPJS3 Speaker connected to a Bluetooth® device, you can connect a second AEPJS3 speaker to your already connected AEPJS3 speaker.

1. Ensure your primary AEPJS3 speaker is turned on.
2. Turn on your secondary AEPJS3 speaker.
3. Press the Daisy Chain button (5) on both AEPJS3 speakers. Press the Daisy Chain button on both AEPJS3 speaker and the Daisy Chain LED (11) will blink.
4. Upon successful connection, a tone will sound on both speakers and the Daisy Chain LED (11) will remain lit. **NOTE:** If daisy-chain connection is not established 30 seconds after pressing the daisy chain button, the speaker will exit the daisy-chain mode.
5. To disable daisy-chaining, press the daisy-chain button on either of the two speakers.

NOTE: The daisy chain connection between the two AEPJS3 speakers will NOT automatically reconnect after the speakers are turned off. To reconnect, follow the daisy-chaining steps above.

VOICE CONTROL: Press the voice control button (8) to activate the voice assistant on your device.

NOTE: Before using this function, the devices must be connected to the speaker via Bluetooth®.

LOW BATTERY INDICATION: The Red LED on the Battery Status Indicator (10) will flash on/off when battery level drops to approximately 5%. Speaker will automatically power off when the battery level is below 2%. Recharge speaker as soon as possible. This equipment complies with IC radiation exposure limits set forth for an uncontrolled environment. This equipment should be installed and operated with minimum distance 5mm between the radiator and your body.

OPERATING INSTRUCTIONS

POSITIONING SPEAKER:

- Make sure that front of speaker is not obstructed.
- Stand speaker upright on a flat, level, stable surface.
- Attach speaker to a metal surface via the magnets (13) on the back of the unit. **DO NOT mount to electrical equipment.**
- Hang from a nail (or like item) by opening the Nail Hook (12) and placing the Nail Hook over the head of the nail.

CHARGING DEVICES:

NOTE: For best results, use cable provided with your device.

1. Connect the cable to your device.
2. Connect the charging cable to the USB A Charge Out Port (15) or USB C Charge In/Out Port (16). Your device will automatically begin charging. The device being charged should provide indication that charging has begun.

1. Press and hold the Power button (1) for 3 seconds to turn on the speaker; your device will begin charging.
2. Press and hold the Power button (1) again for 3 seconds and all functions will power off; your device will stop charging.
3. When AEPJS3 is in Charge-Out-Only mode, it will automatically shut down once charging is complete and current is no longer being drawn by the device.

Repeat these steps to charge another device.

COMPLIANCE

FCC & IC COMPLIANCE

This device complies with part 15 of the FCC RULES and Industry Canada license-exempt RSS standard(s). Operation is subject to the following two conditions: (1) this device may not cause harmful interference, and (2) this device must accept any interference received, including interference that may cause undesired operation.

NOTE: The grantee is not responsible for any changes or modifications not expressly approved by the party responsible for compliance. Such modifications could void the user's authority to operate the equipment.

This equipment has been tested and found to comply with the limits for a Class B digital device, pursuant to part 15 of the FCC Rules. These limits are designed to provide reasonable protection against harmful interference in a residential installation. This equipment generates, uses and can radiate radio frequency energy and, if not installed and used in accordance with the instructions, may cause harmful interference to radio communications. However, there is no guarantee that interference will not occur in a particular installation. If this equipment does cause harmful interference to radio or television reception, which can be determined by turning the equipment off and on, the user is encouraged to try to correct the interference by one or more of the following measures:

- Reorient or relocate the receiving antenna.
- Increase the separation between the equipment and receiver.
- Connect the equipment into an outlet on a circuit different from that to which the receiver is connected.
- Consult the dealer or an experienced radio/TV technician for help

FCC RF EXPOSURE STATEMENTS:

This transmitter must not be co-located or operated in conjunction with any other antenna or transmitter.

This equipment complies with FCC RF radiation exposure limits set forth for an uncontrolled environment. This equipment should be installed and operated with a minimum distance of 5mm between the radiator and your body or nearby persons.

Under Industry Canada regulations, this radio transmitter may only operate using an antenna of a type and maximum (or lesser) gain approved for the transmitter by Industry Canada. To reduce potential radio interference to other users, the antenna type and its gain should be so chosen that the equivalent isotropically radiated power (e.i.r.p.) is not more than that necessary for successful communication.

IC NOTICE TO CANADIAN USERS

This device complies with industry Canada license-exempt RSS standard(s). Operation is subject to the following two conditions: (1) This device may not cause harmful interference, and (2) This device must accept any interference received, including interference that may cause undesired operation of the device.

This device complies with RSS-247 of Industry Canada. Operation is subject to the condition that this device does not cause harmful interference. This Class B digital apparatus complies with Canadian ICES-003.

This equipment complies with IC radiation exposure limits set forth for an uncontrolled environment. This equipment should be installed and operated with minimum distance of 5 mm between the radiator and your body. This transmitter must not be co-located or operating in conjunction with any other antenna or transmitter.

IC RADIATION EXPOSURE STATEMENT:

This equipment complies with IC radiation exposure limits set forth for an uncontrolled environment. This equipment should be installed and operated with minimum distance 5mm between the radiator and your body.

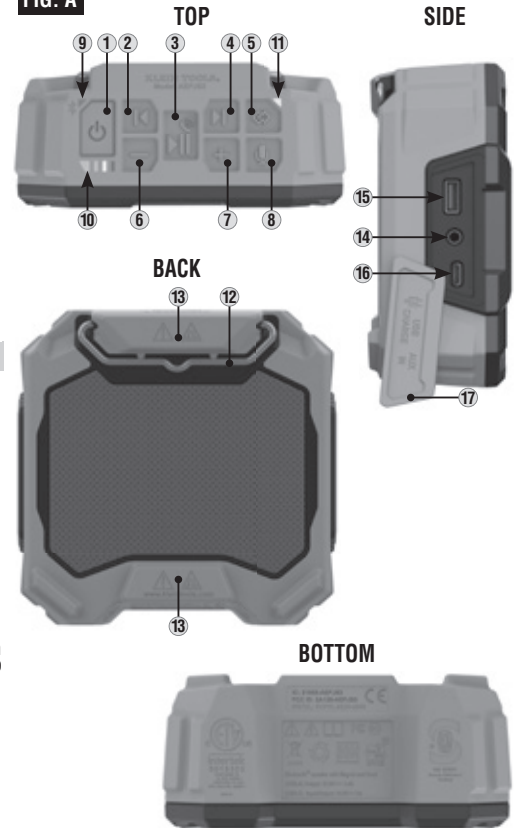
IFETEL REPORT

For use in Mexico, the operation of this equipment is subject to the following two conditions: (1) This equipment or device does not cause harmful interference and (2) this equipment or device accepts any interference, including that which can cause undesired operation.



Bluetooth® Speaker with Magnet and Hook – Instructions

FIG. A



The Bluetooth® word mark and logos are registered trademarks owned by Bluetooth® SIG, Inc. and any use of such marks by Klein Tools, Inc. is under license.

MAINTENANCE

CLEANING: Be sure speaker is turned off and wipe with a clean, dry lint-free cloth. **Do not use abrasive cleaners or solvents.**

STORAGE: If the speaker is to be left unused for an extended period of time, charge before storing, and recharge periodically during storage, to maintain battery's charging capacity.

DISPOSAL / RECYCLE

Do not place equipment and its accessories in the trash. Items must be properly disposed of in accordance with local regulations. Please see epa.gov/recycle for additional information.

CUSTOMER SERVICE

KLEIN TOOLS, INC.
450 Bond Street, Lincolnshire, IL 60069 1-800-553-4676
customerservice@kleintools.com www.kleintools.com

