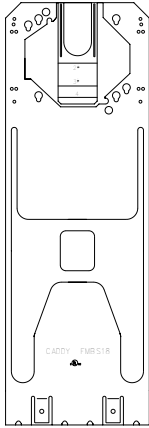


FMSBS18

Floor Mounted Box Support

Complies with the American Disability Act



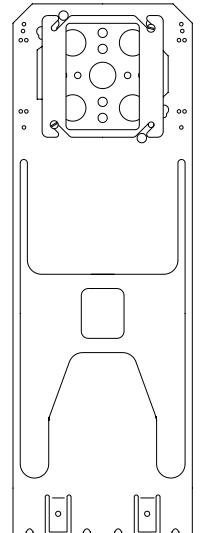
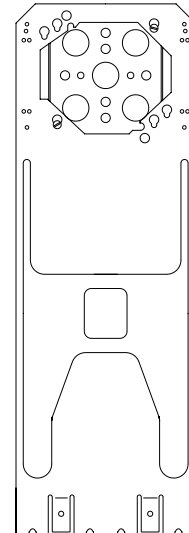
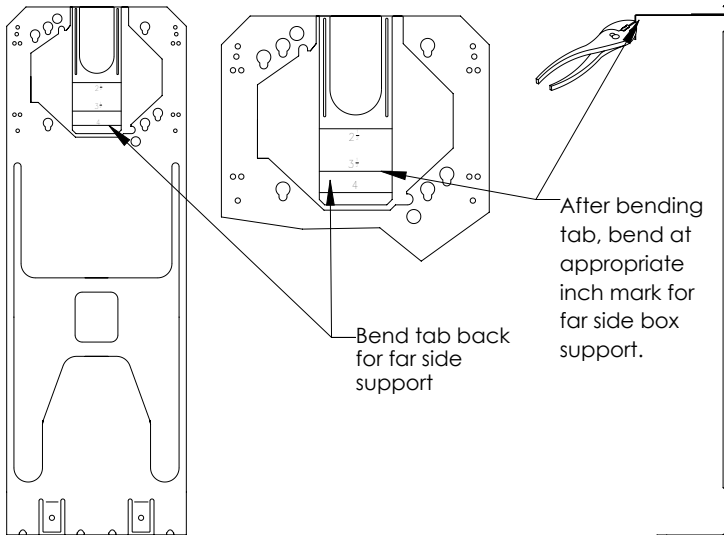
Facilitates Pre-Fab Work

Electrical Box Mount-
Preset at 18" to Center
of the Box

1. Bend tab for far side box support.
Bend at appropriate depth mark.

2. Attach electrical box.

3. Add plaster ring.



WARNING:

1. nVent products shall be installed and used only as indicated in nVent product instruction sheets and training materials. Instruction sheets are available at www.nVent.com and from your nVent customer service representative.
2. nVent products must never be used for a purpose other than the purpose for which they were designed or in a manner that exceeds specified load ratings.
3. All instructions must be completely followed to ensure proper and safe installation and performance.
4. Improper installation, misuse, misapplication or other failure to completely follow nVent's instructions and warnings may cause product malfunction, property damage, serious bodily injury and/or death, and void your warranty.
5. Products that are manufactured using spring steel components shall be used only in a non-corrosive indoor environment.
6. All pipe supports, hangers, intermediate components and structural attachments must **ONLY** be used as described herein and are **NEVER** to be used for any other purpose.

NOTE: All load ratings are for static conditions and do not account for dynamic loading such as wind, water or seismic loads, unless otherwise noted.

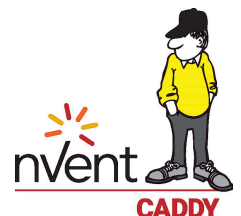
The customer is responsible for:

- a. Conformance to all governing codes.
- b. The integrity of structures to which the products are attached, including their capability of safely accepting the loads imposed, as evaluated by a qualified engineer.
- c. Using appropriate industry standard hardware as noted above.

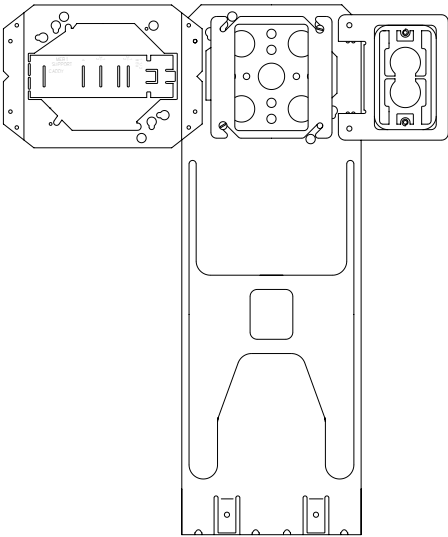
SAFETY INSTRUCTIONS:

All governing codes and regulations and those required by the job site must be observed. Always use appropriate safety equipment such as eye protection, hard hat, and gloves as appropriate to the application.

nVent, nVent CADDY, nVent ERICO Cadweld, nVent ERICO Critec, nVent ERICO, nVent ERIFLEX, and nVent LENTON are owned by nVent or its global affiliates. All other trademarks are the property of their respective owners. nVent reserves the right to change specifications without prior notice.

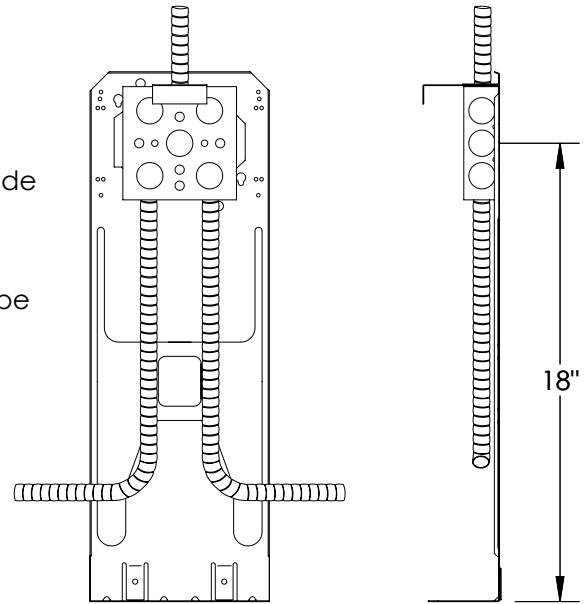


Facilitates Pre-Fab Work

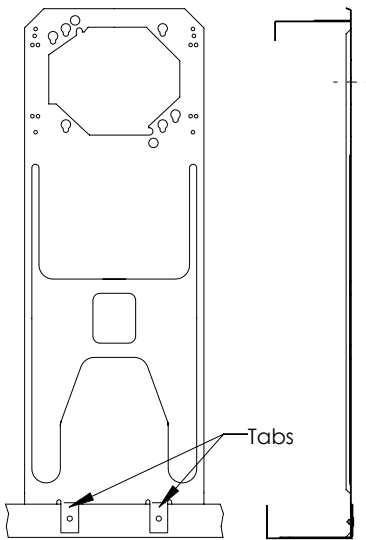


Brackets, such as the MEB1, H23, MP1S or MP2S, may be added to each side of the FMBS18.

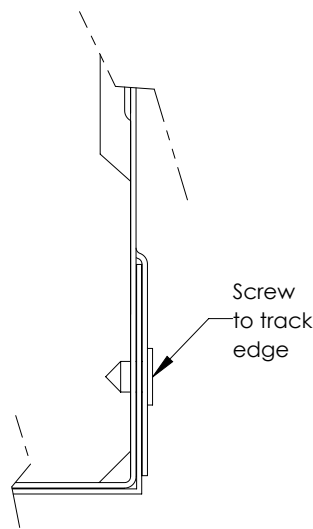
Boxes and brackets may be pre-assembled to the FMBS18.



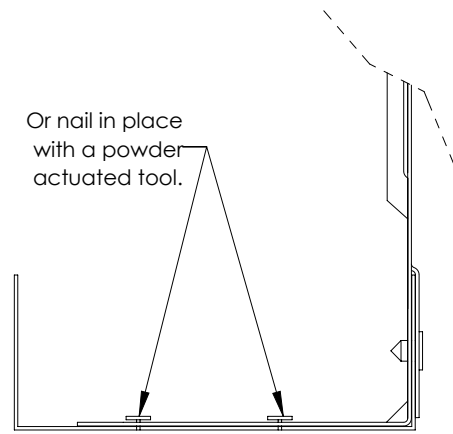
To mount inside track: Place inside of floor track.



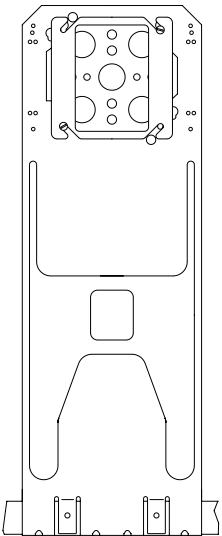
Nail or screw in place.



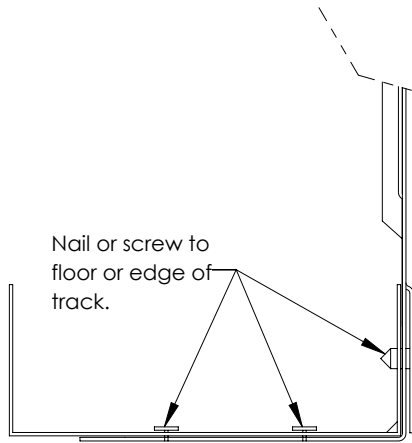
Or nail in place with a powder actuated tool.



To mount under track: Slide bracket under floor track.



Nail or screw to floor or edge of track.



Detail for mounting electrical boxes and Low Voltage Mounting Brackets.

