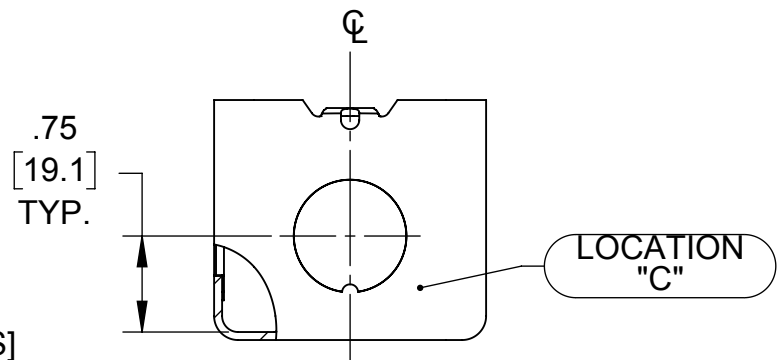
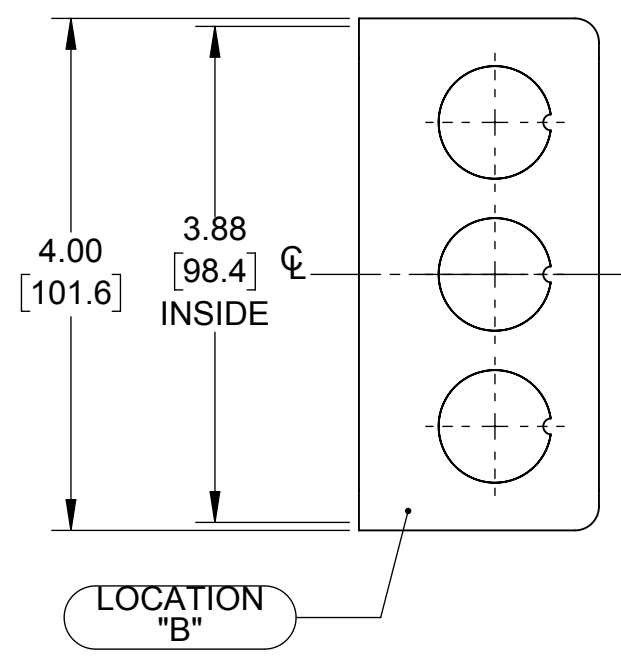
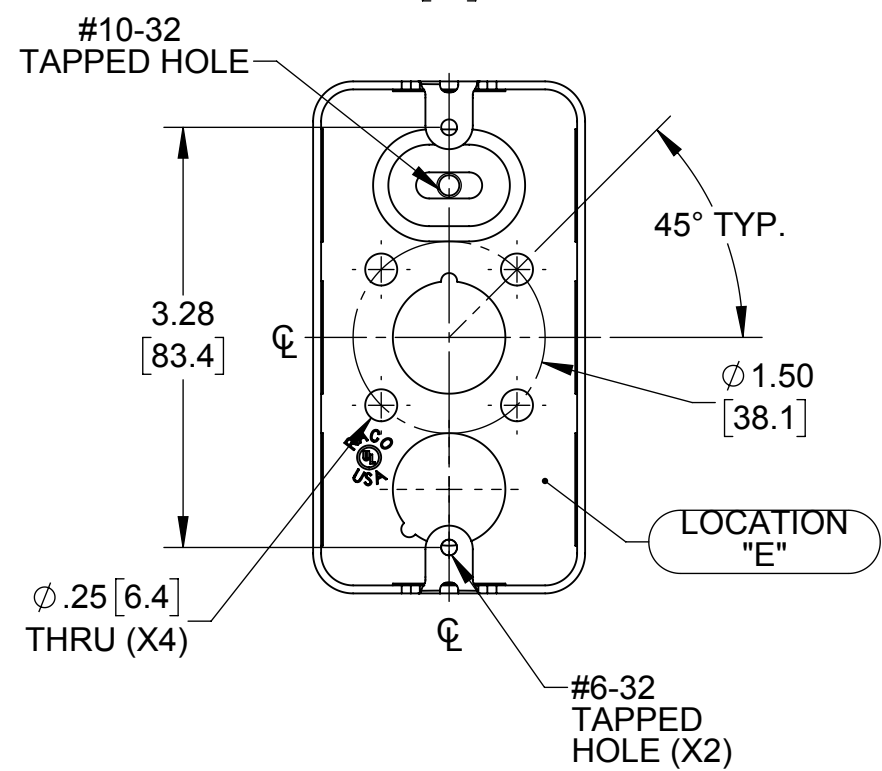
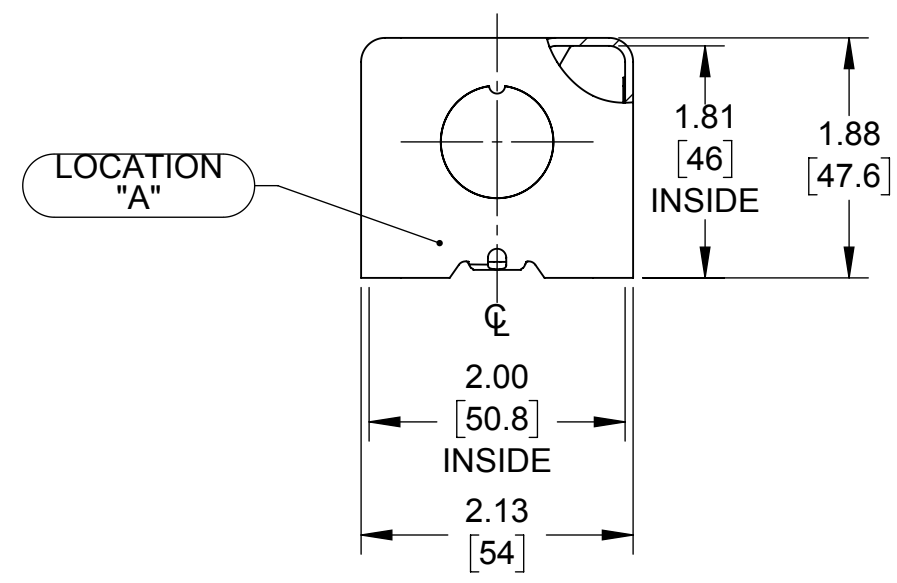
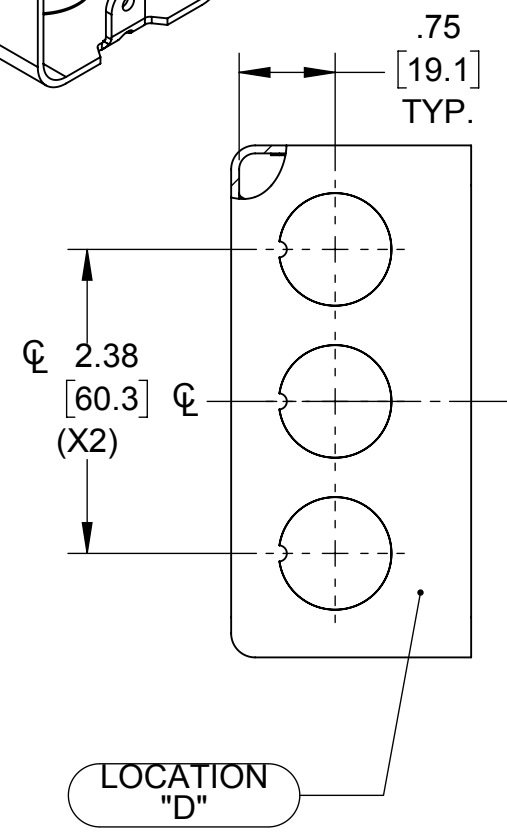
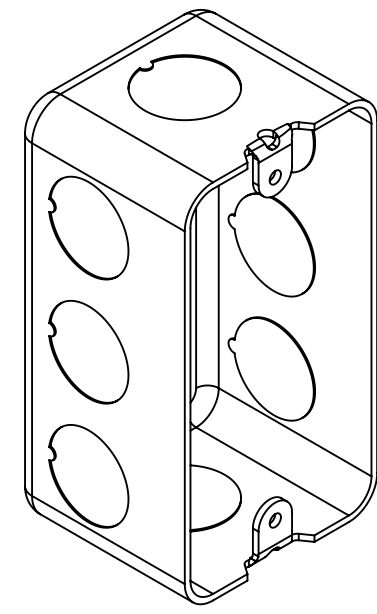


LIST OF PARTS

DESCRIPTION	MATERIAL	FINISH
HANDY BOX	STEEL	GALVANIZED



- NOTES:**
- ALL DIMENSIONS ARE IN INCHES AND [MILLIMETERS]
 - BOX VOLUME: 16.5 IN³ [270.4 CM³]
 - UL LISTED

KNOCKOUTS		
TRADE SIZE	LOCATION	QTY.
1/2" KO	B,D	3
1/2" KO	E	2
1/2" KO	A,C	1

INITIAL RELEASE	N.S.	02-09-17
SYM.	REVISION DESCRIPTION	APP DATE

THE DESIGN AND DIMENSIONS OF THE PRODUCT SHOWN ON THIS DRAWING ARE SUBJECT TO CHANGE WITHOUT NOTICE

TITLE:
4" X 2" HANDY BOX (DRAWN) 1-7/8" DEEP

<p>RACO South Bend, Indiana</p>		SCALE:	2:3
		DRAWN BY:	
<p>TOLERANCE UNLESS OTHERWISE SPECIFIED</p> <p>.XX DECIMAL ±.015 .XXX DECIMAL ±.005 ANGLE ±2°</p>		APP. BY:	N.S.
<p>DATE:</p>		DATE:	02-09-17