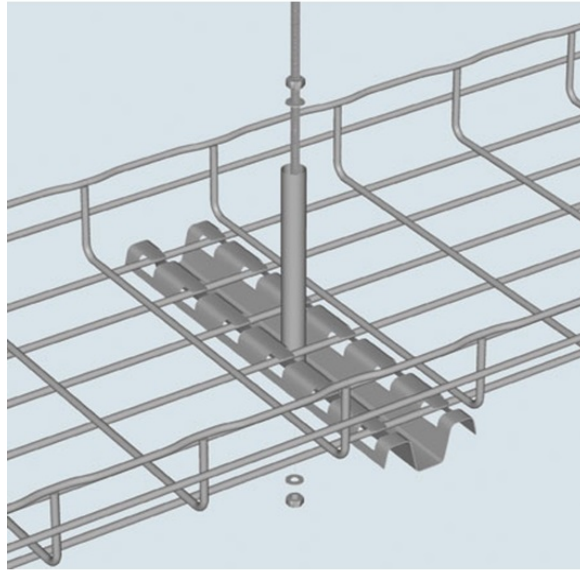


# Center Hanger

FAS PCH



Cablofil Wiremesh Cable Tray concept based upon performance, safety and economy; three qualities which make Cablofil Wiremesh Cable Tray system preferred by installers. Cablofil adapts to the most complex configurations, and its structure gives maximum strength for minimum weight. The ease of creating fittings, carried out on site, as well as the wide range of unique and universal accessories gives complete freedom in routing combined with exceptionally fast installation.

## features & benefits

- Only one threaded rod is needed to suspend tray.
- Suspension tube protects cables.
- 6" & 18" Center Hangers have offset suspension tube to avoid center wire.
- Threaded rod, nuts and washers sold separately.
- Balanced loading recommended.



## specifications

### Construction Information

Material1: Steel

### Buy American Act Compliance

Country of Origin: UNITED-STATES-OF-AMERICA  
Buy American Act Status: Buy American Act Compliant