

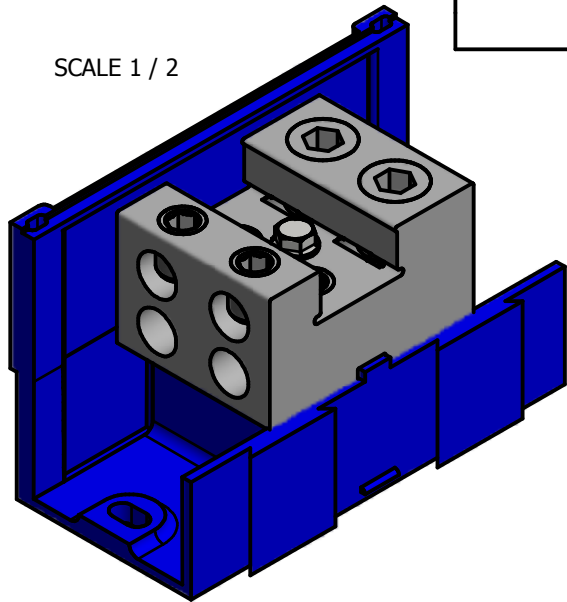
SCREW: E0969, E0944, E0971
CAT. NO.: LDA-24-500
INFORMATION SHEET: FORM 48

MATERIAL: NONE
PLATING: NONE
MARKING: NONE

REV: H
DRAWN BY: CLH
DATE: 2/27/2009

ILSCO
connections
matter
800-776-9775 www.ilsco.com
SCALE: 1:1
SIZE: A
DWG. NO. M4023
SHEET: 1 OF 1

SCALE 1 / 2



- E0944 SCREW (2) PLACES
- R0852C00A (1) REQUIRED
- E0971 SCREW (1) PLACE
- D2711A22T ASSEMBLED CONNECTOR (1) REQUIRED
- E0969 SCREW (4) PLACES

