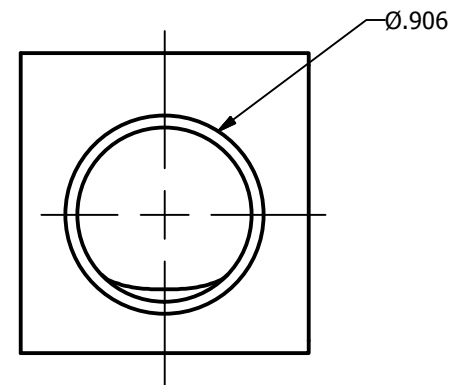
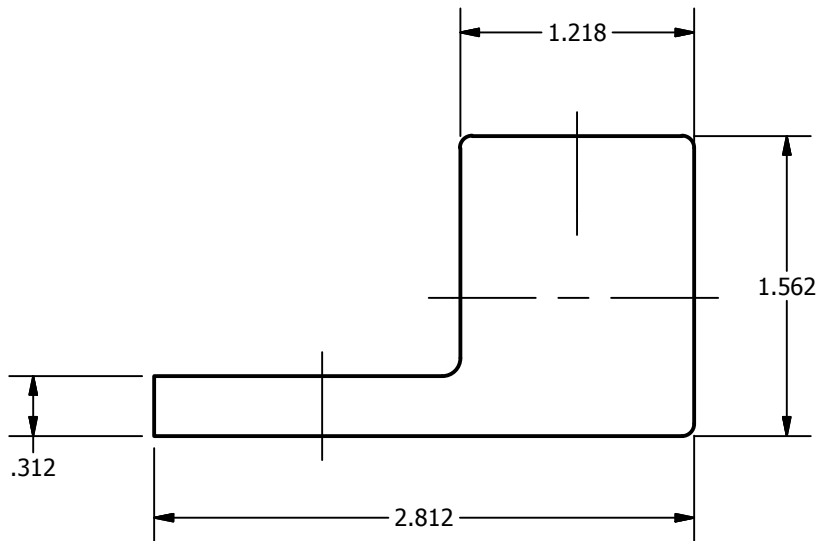
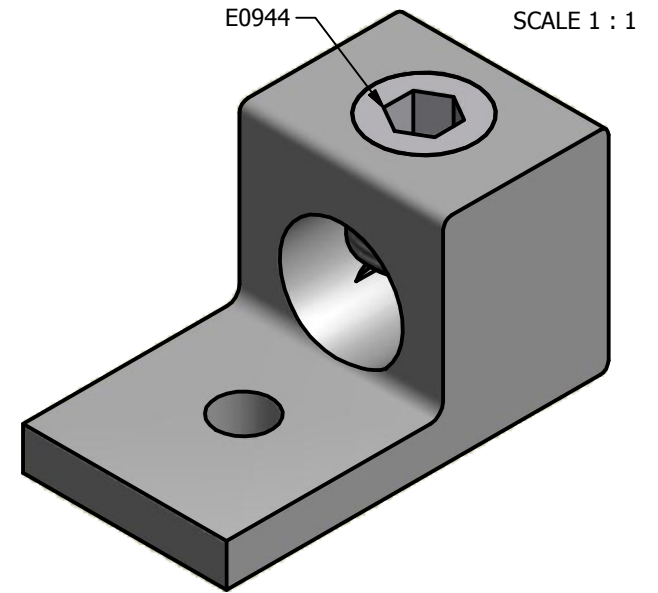
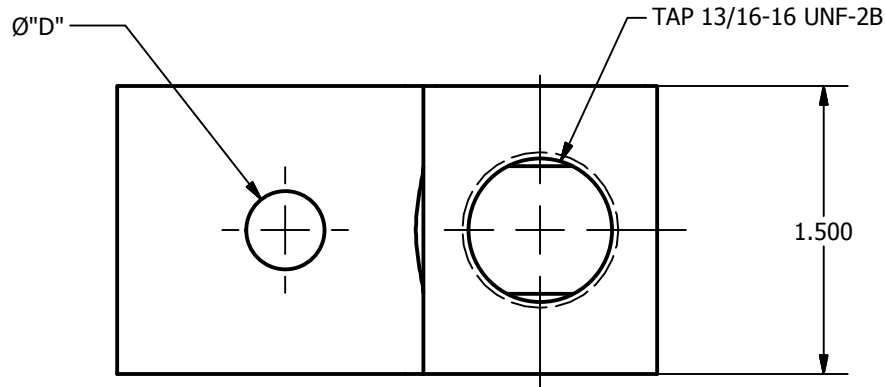


SCREW: E0944	MATERIAL: ALUMINUM	REV: AE	<b>ILSCO</b> connections matter	
CAT. NO.: TA-500	PLATING: EL-TIN	DRAWN BY: NN	SCALE:1:1	800-776-9775 www.ilsco.com
INFORMATION SHEET: FORM 1	MARKING: SEE CHART	DATE:12/11/2007	SIZE: A	DWG. NO. <b>D0982</b>
				SHEET: 1 OF 1



"D" DIM.	MARKING
.406	ILSCO, D982, TA-500, 500kcmil-4, AL9CU
.406	ILSCO, D982, TA-500, 500kcmil-4, CHD Z-20, AL9CU
.516	ILSCO, D982, TA-500, 500kcmil-4, AL9CU
.531	ILSCO, D982, TA-500, 500kcmil-4, AL9CU