
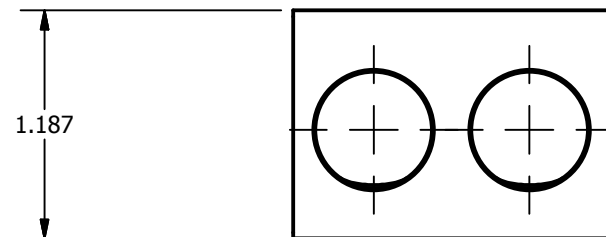
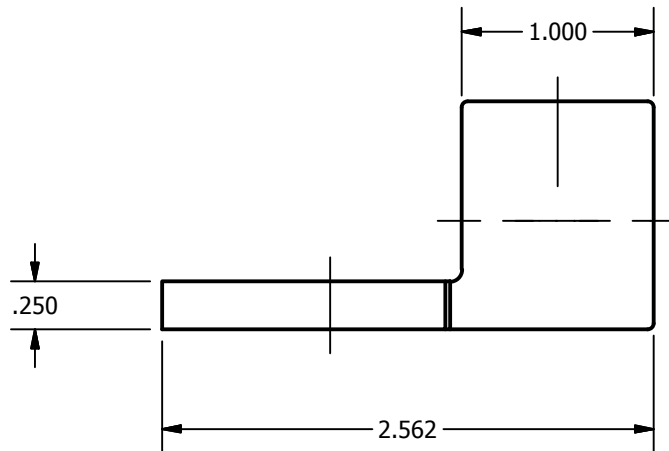
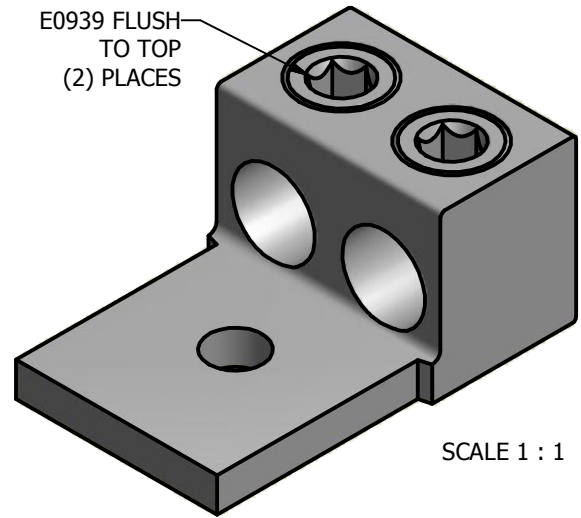
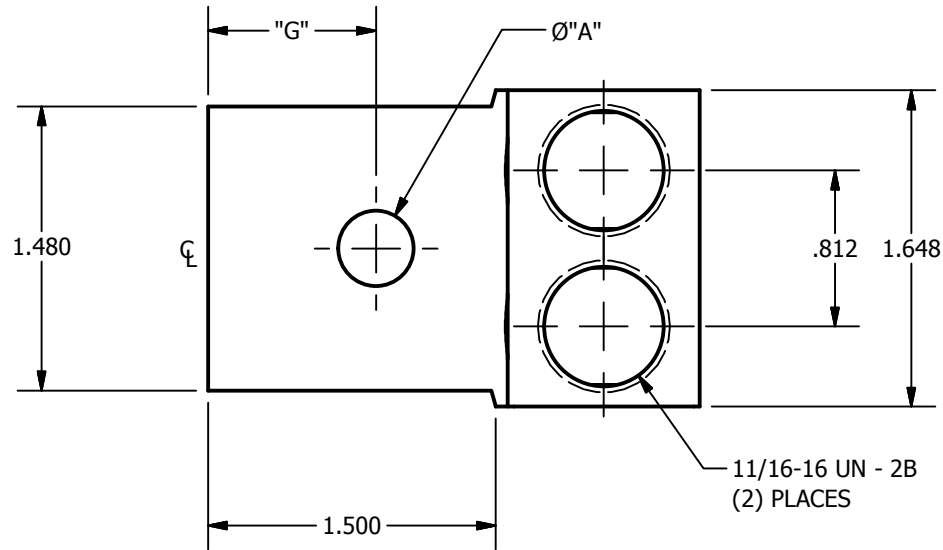


SCREW: E0939	MATERIAL: ALUMINUM	REV: G	 800-776-9775 www.ilsco.com
CAT. NO.: AU-250, AU-250-B	PLATING: EL-TIN	DRAWN BY: CLH SCALE:1:1	
INFORMATION SHEET: FORM 1	MARKING: ILSCO, D970, AU 250, 250kcmil-6, AL9CU	DATE:11/2/2007 SIZE: A	
		DWG. NO.	D0970
		SHEET: 1 OF 1	



DEVIATION	"G"	"A"
-22	.875	.390
-24	.750	.406
-25	.500	.390
-83	.875	.531