

**Jack****Category 6A Shielded Jack with Cobra-Lock™ Termination****HUBBELL**

- Third Party Verified Category 6A Component
- Cobra-Lock Termination Reduces Termination Time by Over 75%
- Wires Secured Under Constant Compression
- Easily Re-Terminate
- Qualified to 150% of 802.3bt PoE Current Level

**Ordering Information**

Description	Qty	Color	UPC Number	Catalog Number
NEXTSPEED Ascent Category 6A Shielded Jack with Cobra-Lock Termination	1	Black	662620662169	HJS6ABK

**Listings**

ANSI/TIA/EIA-568 Category 6 component

UL 1863 - Communications-Circuit Accessory

UL 2043 - Suitable for Air-Handling Spaces

RoHS Compliant

IEC60512-99-002 for de-matting endurance under PoE load

**Specifications**

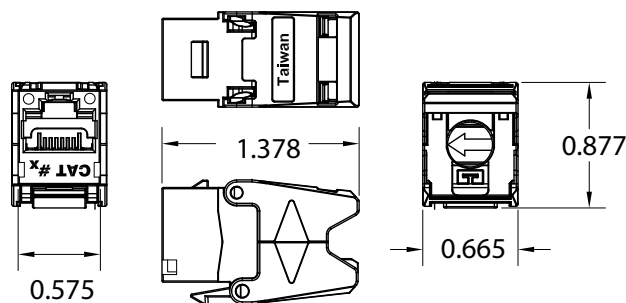
Nose Housing Material	Zinc die-cast
Rear Housing Material	Zinc die-cast
Nose Contacts	Copper Alloy with Gold Over Plating
IDC Contacts	Phosphor bronze with 100 micro-inch tin over plating
Dimensions in (mm) (H x W x D)	0.87 (22) x 0.67 ( 17) x 1.39 ( 35)
Wire Compatibility	24-22 AWG Solid

**Performance**

Electrical Performance	TIA Component Compliant
Withstand Voltage	1,000 Vac @ 60 Hz
PoE Support	3rd Party Tested to IEC60512-99-002 for POE disconnection endurance
Plug Mating Cycles	750 Minimum
IDC Re-termination Cycles	25 Maximum
Plug Compatibility	RJ-11 to 45
Testing	100% Factory Tested
Backward Compatibility	Cat5e and Cat6

**Accessories**

Description	Catalog Number
HJS Series Color Face, 100-Pack, Black	<b>SJFBK</b>
Riser C6A FTP Cable	<b>C6AFTSPBK</b>
Plenum C6A FTP Cable	<b>C6AFTPSRBK</b>
Shielded C6A Patch Cord	<b>PC6ABK10</b>
RJ-45 Security Port Blocker, 25 pack	<b>HXJDC25</b>

**Resources**

Customer Drawings

eCatalog page

